

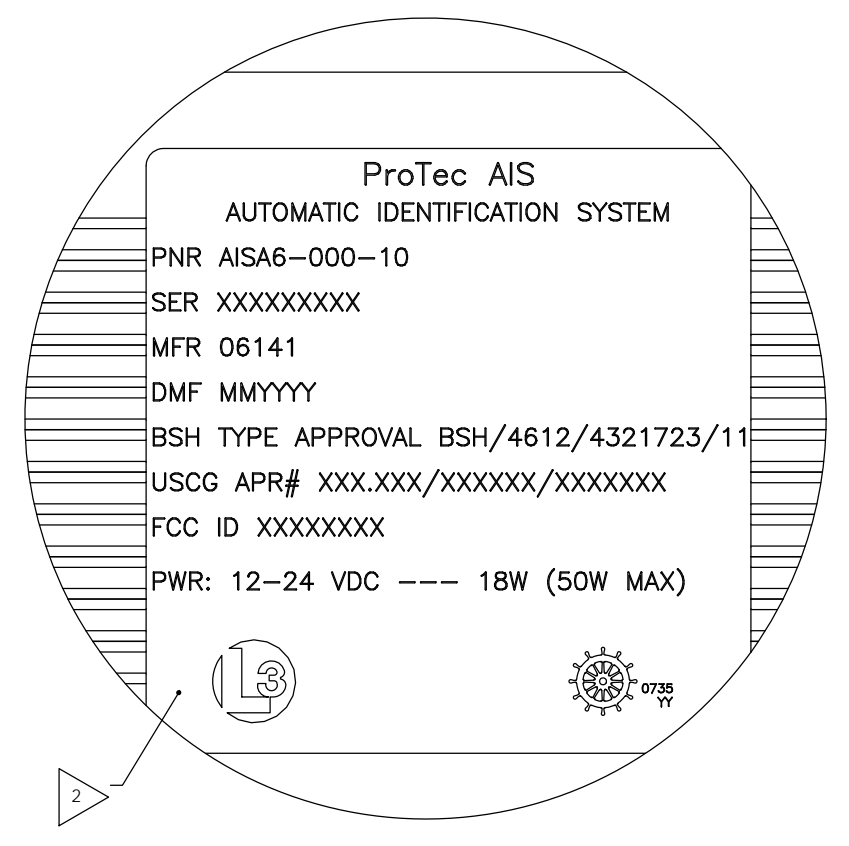
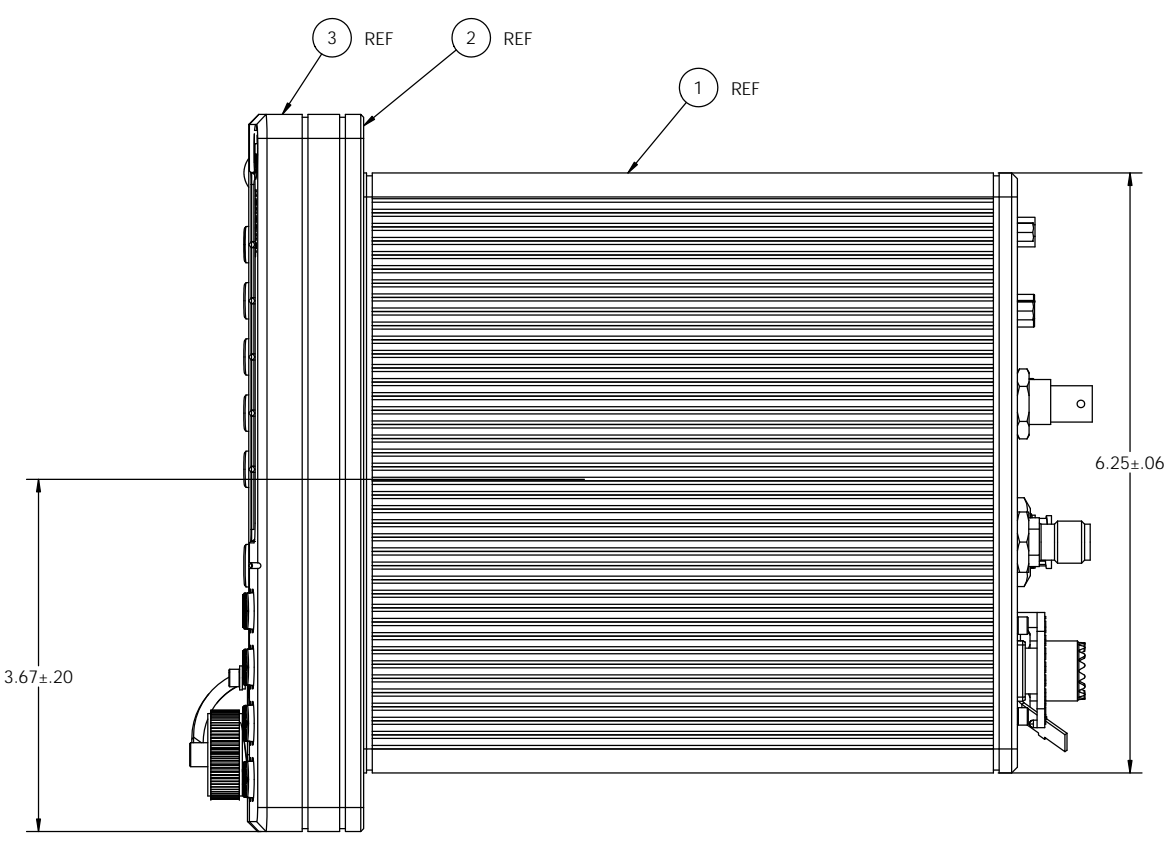
8 7 6 5 4 3 2 1

D

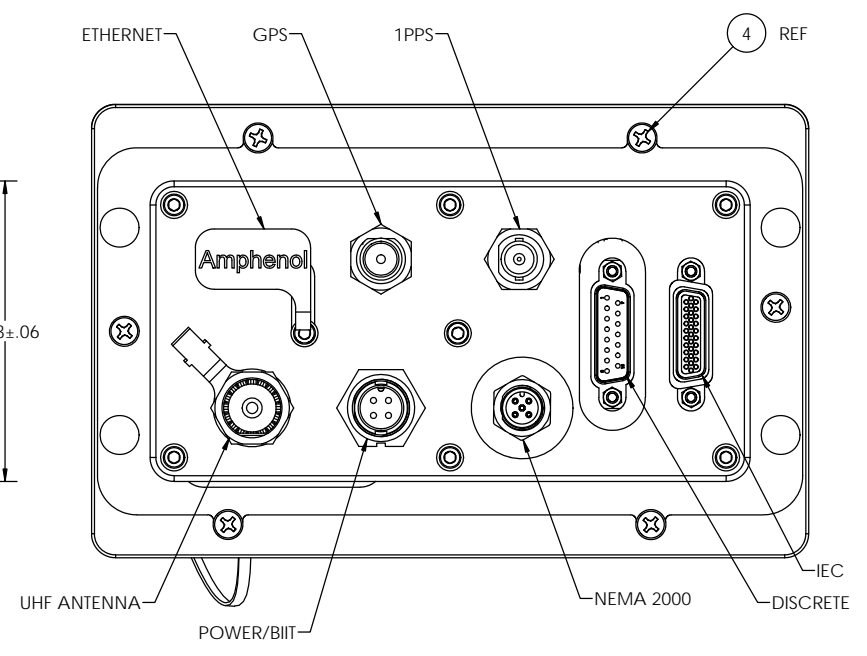
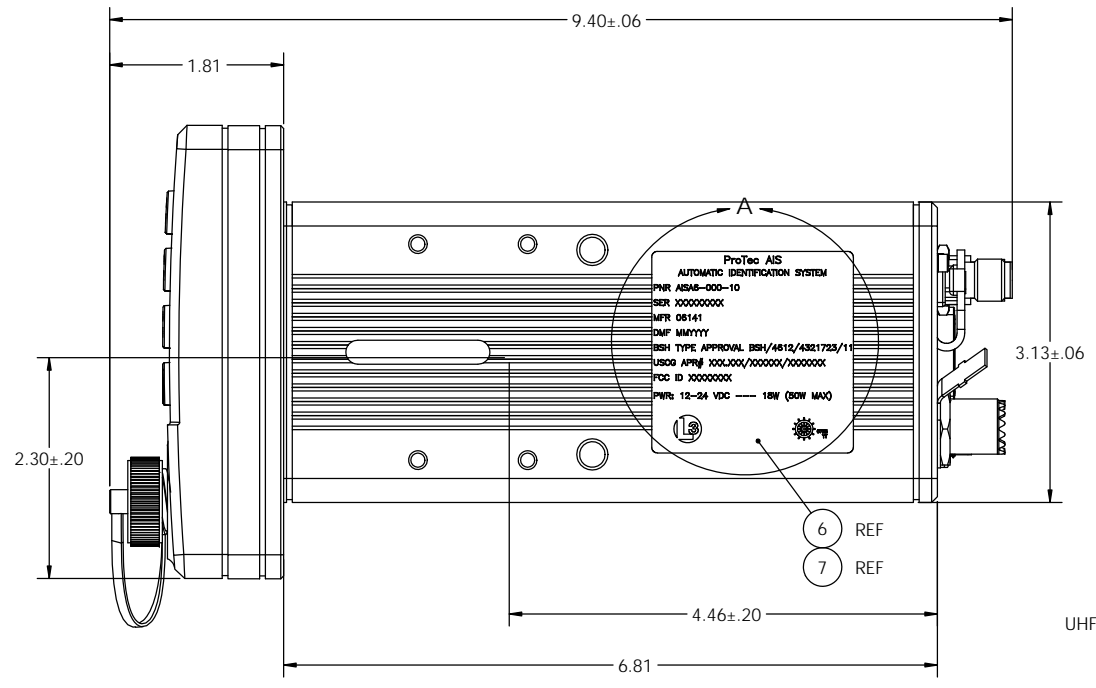
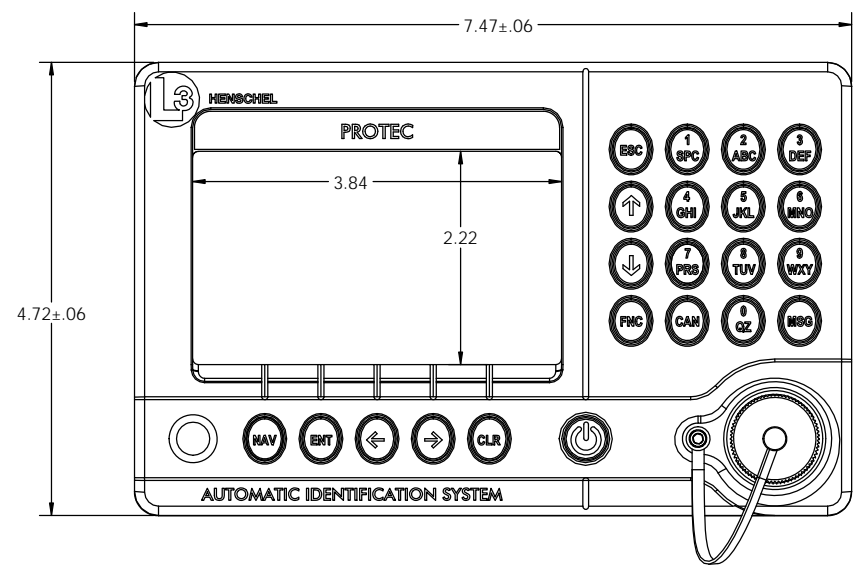
C

B

A



DETAIL A  
SCALE 3 : 1



"THIS TECHNICAL DATA IS CONTROLLED UNDER THE EXPORT ADMINISTRATION REGULATIONS (EAR) AND MAY NOT BE EXPORTED TO A FOREIGN PERSON, EITHER IN THE U.S. OR ABROAD, WITHOUT THE PROPER AUTHORIZATION BY THE U.S. DEPARTMENT OF COMMERCE."

SIZE	CAGE CODE	DWG NO	REV
D	28199	AISA600010	-
SCALE	1:1	SHEET 2	

FORM 3/2/35-1N 8 7 6 5 4 3 2 1