

### FCC Warning

This device complies with Part 15 of the FCC rules. Operation is subject to the following two conditions: (1) this device may not cause harmful interference, and (2) this device must accept any interference received, including interference that may cause undesired operation.

**NOTE:** This equipment has been tested and found to comply with the limits for a Class B digital device, pursuant to Part 15 of the FCC rules. These limits are designed to provide reasonable protection against harmful interference in a residential installation. This equipment generates, uses, and can radiate radio frequency energy and, if not installed and used in accordance with the instructions, may cause harmful interference to radio communications. However, there is no guarantee that interference will not occur in a particular installation. If this equipment does cause harmful interference to radio or television reception, which can be determined by turning the equipment off and on, the user is encouraged to try to correct the interference by one or more of the following measures:

- Reorient or relocate the receiving antenna.
- Increase the separation between the equipment and receiver.
- Connect the equipment into an outlet on a circuit different from that to which the receiver is connected.
- Consult the dealer or an experienced radio/TV technician for help.

**WARNING:** Changes or modifications to this unit not expressly approved by the party responsible for compliance could void the user's authority to operate the equipment. This Class B digital apparatus complies with Canadian ICES-003.

### Limited One-Year Warranty

KIDdesigns warrants this product to be free from defects in workmanship and materials, under normal use and conditions, for a period of one year from the date of original purchase.

Should service be required by reason of any defect or malfunction, it is best to first return this product and all parts thereof to the store where it was originally purchased. If you need to send the product for service during the warranty period, KIDdesigns will repair or, at its discretion, replace this product without charge (except for a \$6.00 charge for handling, packing, return UPS/postage and insurance). This decision is subject to verification of the defect or malfunction upon delivery of this product to the Factory Service Center listed below. The product must include proof of purchase, including date of purchase.

Before returning this product for service, please first replace the batteries (if applicable) with fresh ones, as exhausted or defective batteries are the most common cause of problems encountered.

If service is still required:

1. Remove batteries (if applicable) and pack unit in a well-padded, heavy corrugated box.
2. Enclose a photocopy of your sales receipt, credit card statement, or other proof of the date of purchase.
3. Enclose a check or money order payable to the order of KIDdesigns, for the sum of \$6.00.
4. Send the unit prepaid to the Factory Service Center listed below.

**NOTE:** This warranty is valid only if the product is used for the purpose for which it was designed. It does not cover (i) products which have been damaged by negligence, misuse or accident, or which have been modified or repaired by unauthorized persons; (ii) cracked or broken cabinets, or units damaged by excessive heat; (iii) damage to tape cassettes (if applicable); (iv) the cost of shipping this product to the Factory Service Center and its return to the owner.

This warranty is valid only in the United States of America and does not extend to owners of the product subsequent to the original purchaser. Any applicable implied warranties are also limited to one year, and KIDdesigns will not be liable for consequential damages. (Some states do not allow limitations on implied warranties or exclusion of consequential damages, so these restrictions may not apply to you.) This warranty gives you specific legal rights, and you may also have other rights which vary from state to state.

Send unit to:  
**Consumer Repair Department  
KIDdesigns, Inc.  
1330 Goodyear Dr.  
El Paso, TX 79936-6420**

MARVEL, Spider-Man and the distinctive likeness thereof is trademark of Marvel Characters, Inc., and is used with permission. Copyright © 2008 Marvel Characters, Inc. All rights reserved. [www.marvel.com](http://www.marvel.com). Licensed by Marvel Characters, Inc.

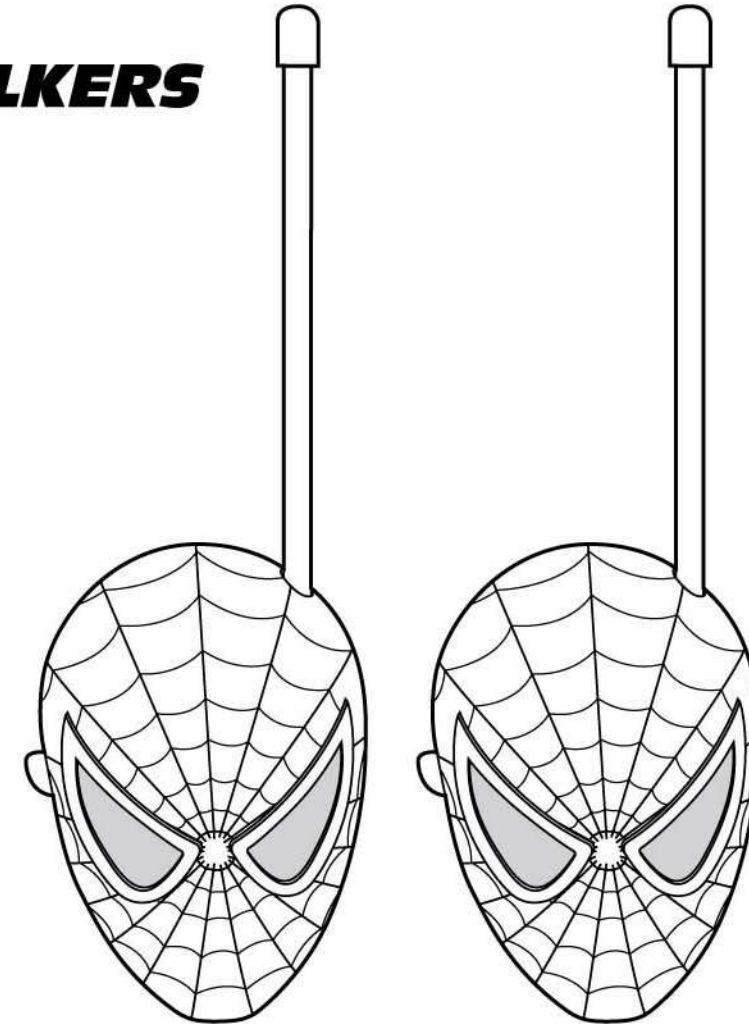
Manufactured and Distributed by KIDdesigns, Inc.  
Rahway, NJ 07065-5024

Printed in China  
SC211-011608-A



Model SC-211

### WEB TALKERS



### Important Message to Customers

Thank you for purchasing one of our many top-quality SPIDER-MAN™ electronic products. We would appreciate it if you take a few moments to read through these instructions. This will help you explain to the child the safe and proper way to use this toy, and to help give it the long-lasting life that our products are designed for.

## Getting Started

### Installing the Batteries

Note: Batteries should always be installed by an adult.

- 1 Use a Phillips screwdriver to open the battery compartment door located on the back of the unit.
- 2 Insert 4 new LR44 batteries into each Walkie Talkie with + and - terminals as indicated on the compartment door.
- 3 Replace the compartment door and tighten the screw with a Phillips screwdriver. Do not over-tighten the screw.

### For the Best Possible Performance

- We recommend the use of alkaline batteries for longer life.
- Do not mix old and new batteries.
- Do not mix alkaline, standard (carbon-zinc) or rechargeable (nickel-cadmium) batteries.
- Batteries are to be inserted with correct polarity.
- Remove exhausted batteries from the unit.
- Do not attempt to recharge non-rechargeable batteries.
- Remove the rechargeable batteries from the unit before charging.
- The supply terminals are not to be short-circuited.
- Batteries should be removed if the item will not be used for an extended period of time, such as a month or longer, to prevent battery leakage or damage.
- Rechargeable batteries should only be charged under adult supervision.
- Only batteries of the same or equivalent type as recommended are to be used

### Turning Power On/Off

- Slide the **On/Off Button** to the left to activate the Walkie Talkies.
- **Both** Walkie Talkies must be turned on in order to send and receive messages.
- Slide the **On/Off Button** to the right to shut off the Walkie Talkies.

### Sending Voice Messages

Press and hold the **Talk Button** while speaking into the Microphone on the back of the unit.

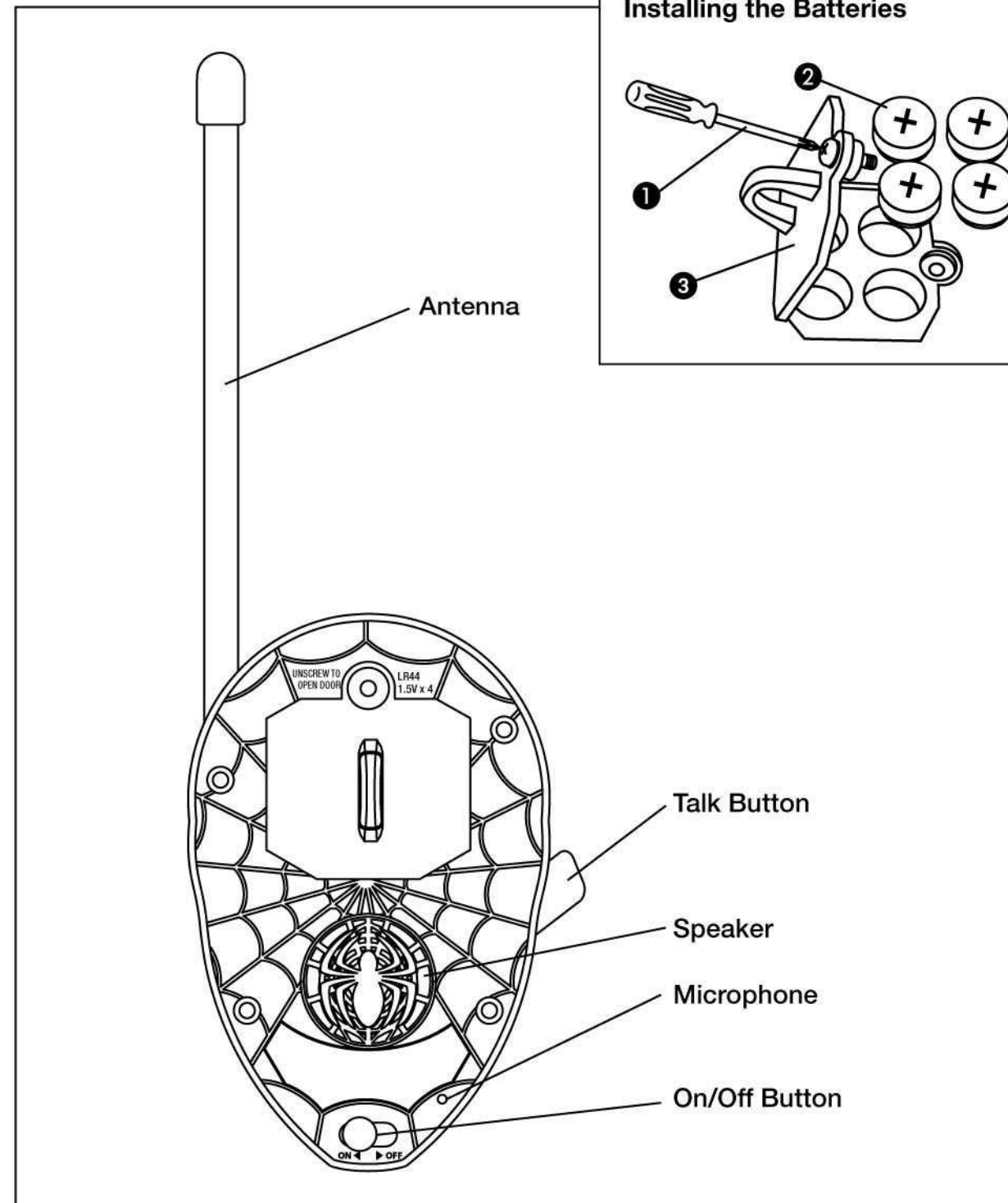
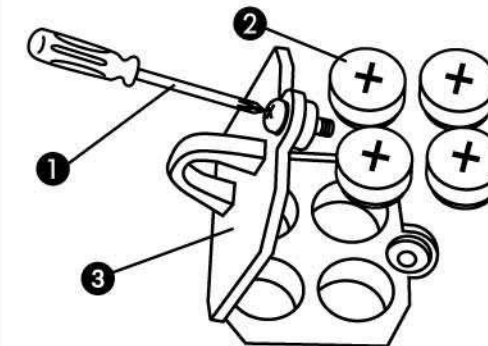
#### You Should Know

For clear transmission, keep the Microphone approximately two inches from your mouth.

### Receiving Messages

- Both Walkie Talkies must be turned on in order to send and receive messages.
- Messages cannot be received while your **Talk Button** is being pressed.
- Messages can be heard through the Speaker on the back of the unit.

### Installing the Batteries



## Playing Walkie Talkie Games

Walkie Talkies can be used for all kinds of fun games and activities. Here are two suggestions:

### Hide and Seek

Just like regular Hide and Seek, but with a twist: the "Hider" can send clues to the "Seeker" using the Walkie Talkies.

### Mystery Sounds

Can you recognize the mystery sound? One kid sends a sound over the Walkie Talkies, while another tries to guess what the sound is. Examples can include an animal, song, TV show, or anything else!

## Using the Antenna Clip

To keep the Walkie Talkies securely with you on the go, bend the antenna and place through belt loop or backpack loop, etc., then push antenna tip through the clip located on the back of the Walkie Talkie. To release, simply press antenna tip back through clip.

Bending the antenna will not harm the antenna.

## Maintenance

It is important to keep the Walkie Talkies as dry and clean as possible. You may clean the cabinet with a cloth or sponge moistened with mild soap and water. Do not attempt to use strong cleansers or solvents, as they may cause damage.

## Questions or Comments

- For questions or comments regarding this or other KIDdesigns products, please call our toll-free number: **1-888-TOP-TOYS.**

Also visit our website: [www.kiddesigns.com](http://www.kiddesigns.com)

**If problems persist, please do not attempt to repair unit; see warranty for factory service.**

## Troubleshooting

If one or both of the Walkie Talkies do not work, this may indicate that the batteries are weak. Insert 4 new LR44 batteries into each unit.

If the signal range of the Walkie Talkies decreases notably, this may again be an indication that the batteries are weak. Insert 4 new LR44 batteries into each unit.

Please keep in mind that this product does not transmit well through obstacles such as trees, buildings, and metal structures.

If there is a sizable increase in static, it may be due to the proximity of electric motors, fluorescent lights, power lines, or other signal-disrupting objects. You may have to change your location.

**If problems persist, DO NOT ATTEMPT TO REPAIR THE UNIT. See the Warranty for factory services.**