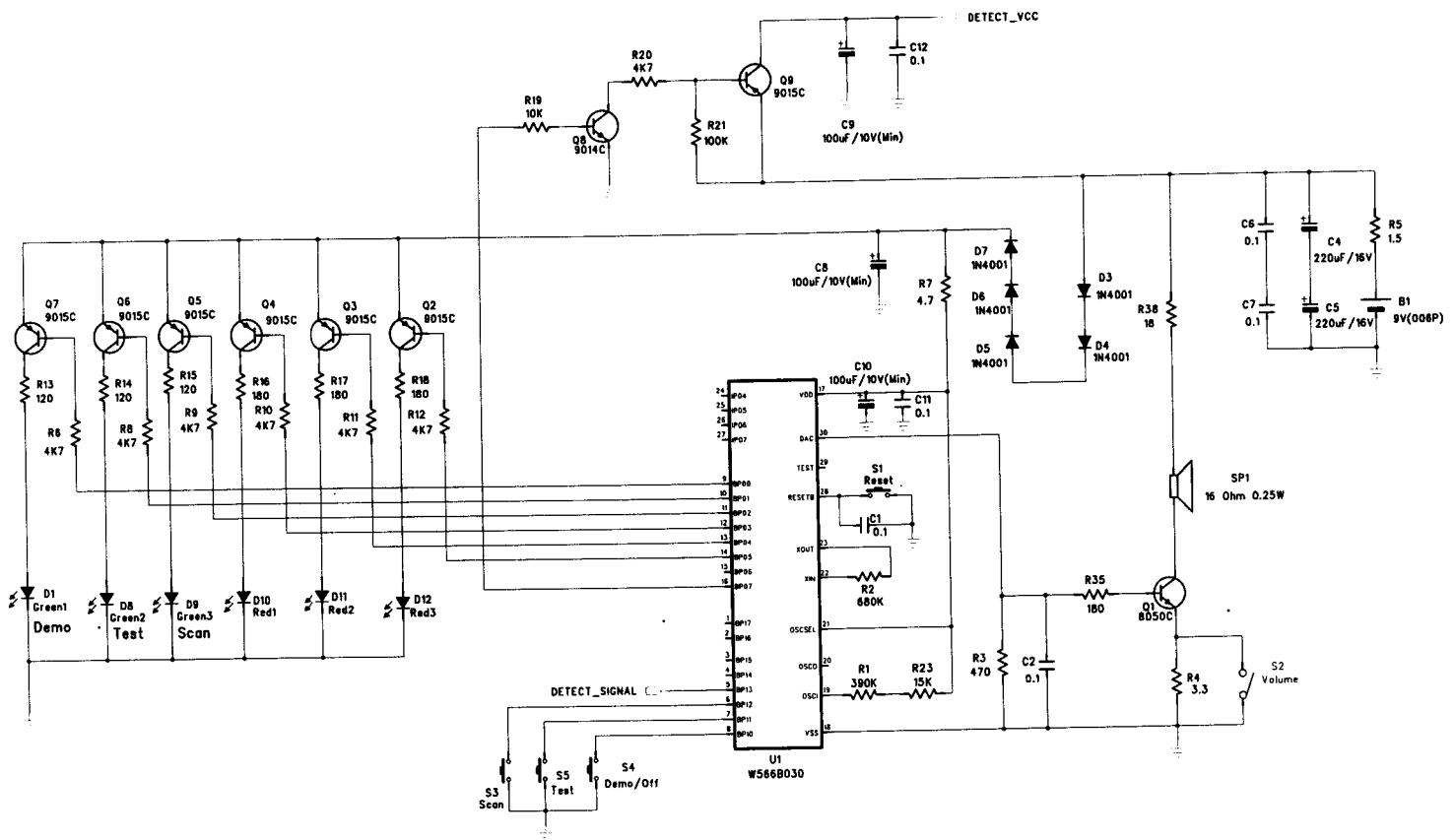


ISSUE	ZONE	DESCRIPTION	DATE
		C8-C10, C16,C17	



DRAWN BY :	R.Y.Yang	CHECKED BY :	APPROVED BY :
DATE :	Jan 13, 2003	VERSION :	0.7
		SHEET 1 OF 1	

MODEL NO :	MB-134
REF. NO :	



A B C D E F

A

B

C

D

E

F

ISSUE	ZONE	DESCRIPTION	DATE
		C8-C10, C16, C17	

1

2

3

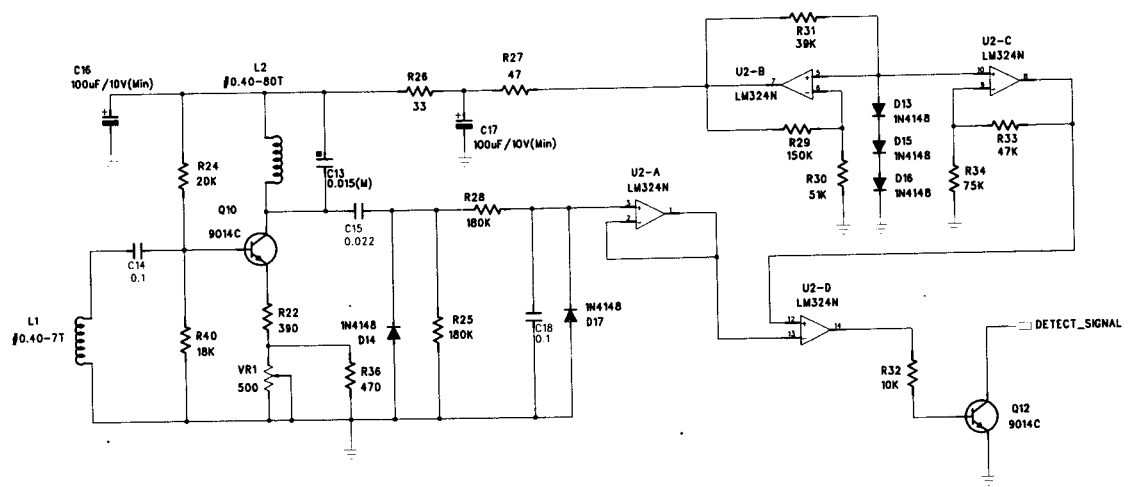
4

1

2

3

4



DRAWN BY :	R.Y.Yang	CHECKED BY :		APPROVED BY :	
DATE :	Jan 13, 2003	VERSION :	0.7	SHEET 1 OF 1	

MODEL NO :	MB-134
REF. NO :	



A

B

C

D

E

F