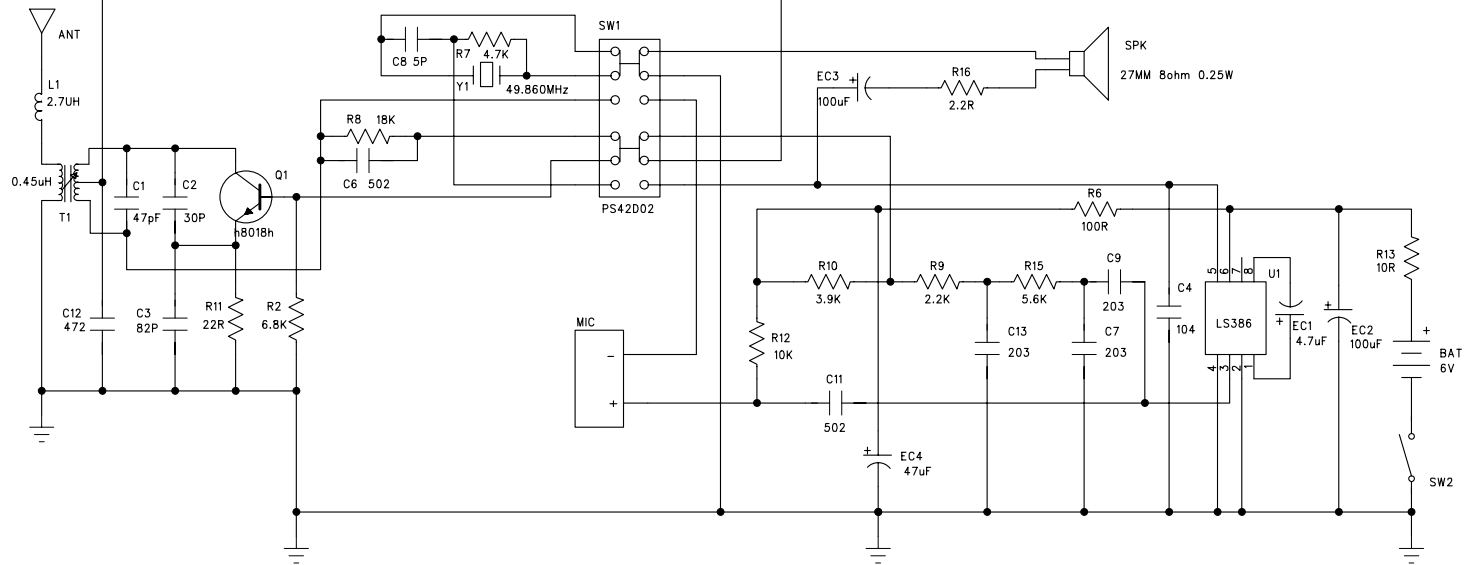


49.860MHz



COB P/N:	KINYAT INDUSTRIAL CO.,LTD		
MODEL:	walkie talkie	DESCRIPTION:	
MODEL NO:	lp210	DESCRIPTION:	
PCB NO:	rx-lp210	DESCRIPTION:	
PCBA NO:	80lp210-01-01	DESCRIPTION:	
DICE NO:		PAGE: 1of1	REV: r0
DRAWN BY:	czl	LSSUED DATE:	2010.6.4