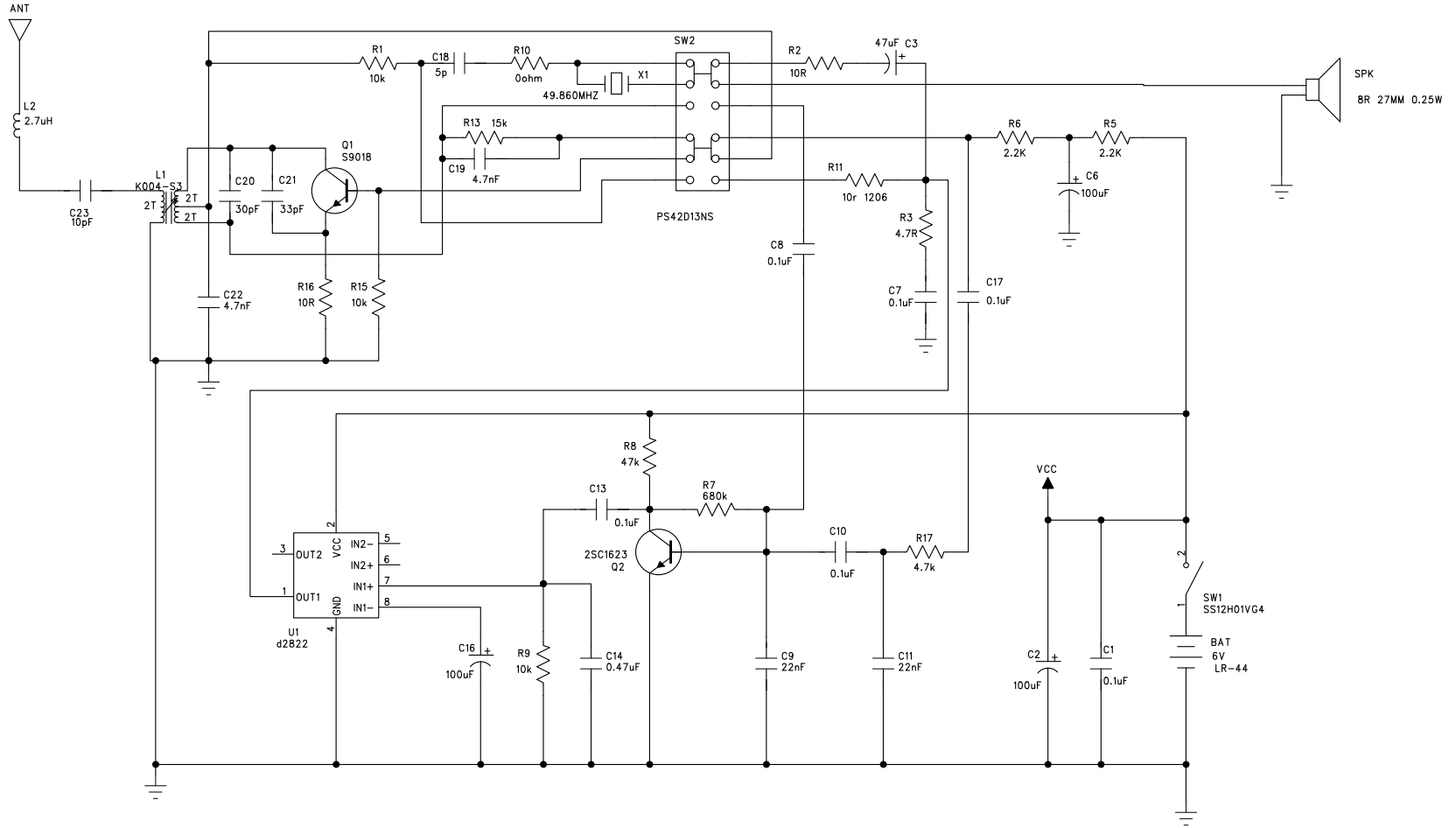


49.860MHz



COB P/N:	/	KINYAT INDUSTRIAL CO.,LTD	
MODEL:	WALKIE TALKIE	DESCRIPTION:	
MODEL NO:	LP210		
PCB NO:	80LP210-01		
PCBA NO:	RX-LP210-R0-94HB-1		
DICE NO:	/	PAGE: 10F1	REV: R1
DRAWN BY:	CZL	LSSUED DATE: 2010.4.20	