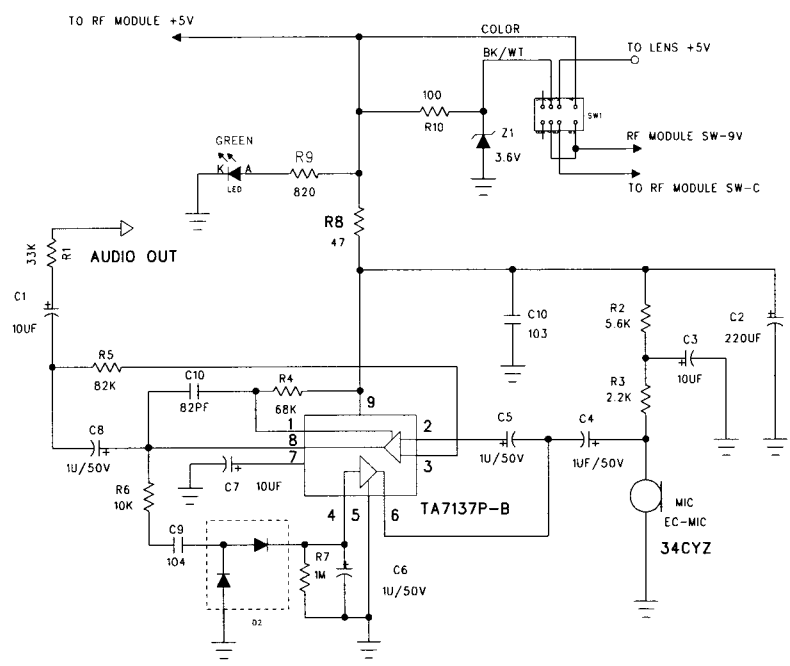


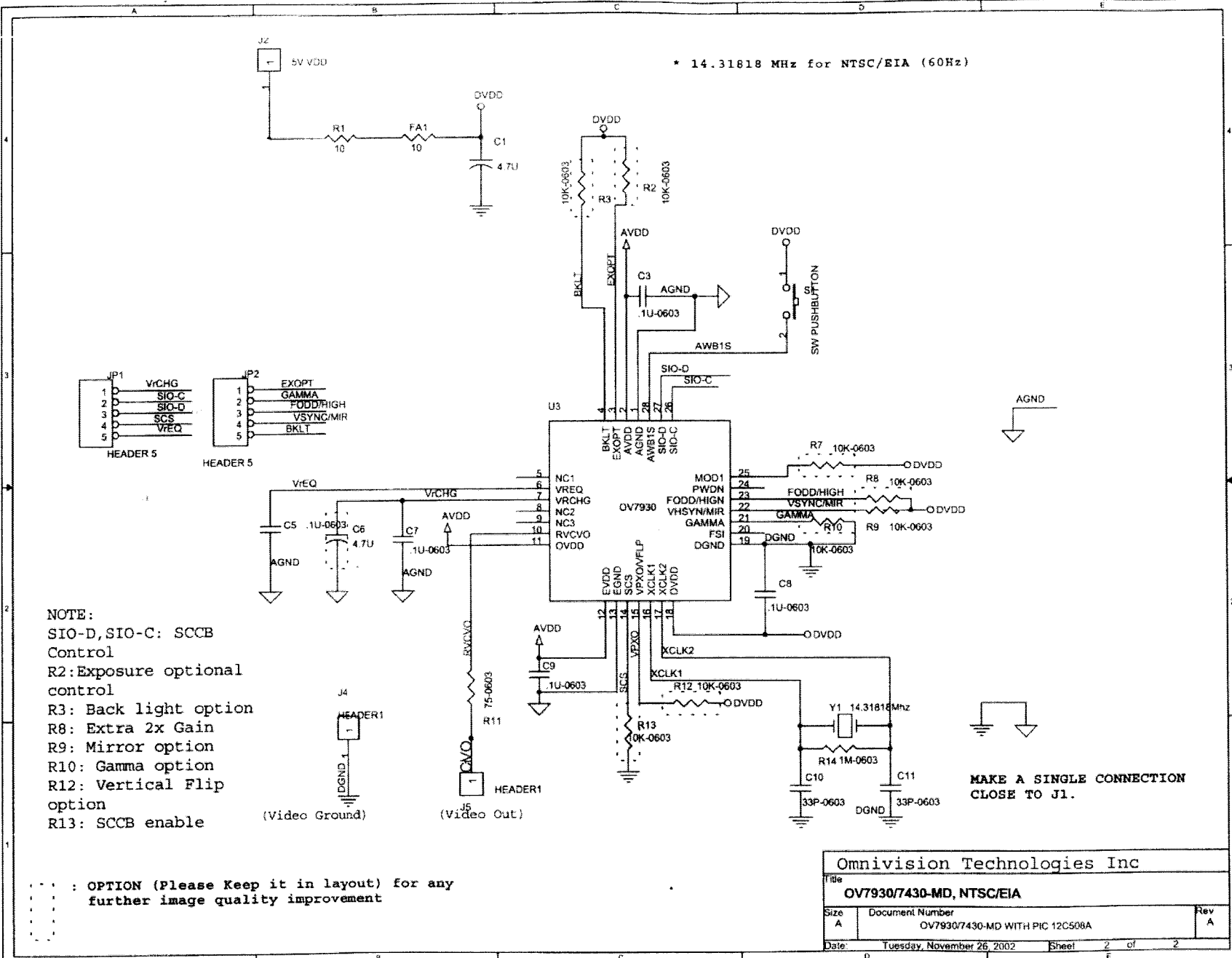
Size	Document Number	REV
B	DFM2400V8TX6	
Date	May 3, 2002	Sheet 1 of 1

6 5 4 3 2 1

REVISION RECORD			
LTR	ECO NO.	APPROVED	DATE



COMPANY:			
KWOK'S WINTY MANUFACTURING LTD.			
TITLE:			
HW288 MIC AMP CIRCUIT.			
DESIGNED:	DATED:	CODE:	REV:
MEI FENG YIN	6/JUNE/03	C	1.0
DRAWING:	DATED:		
MEI FENG YIN	6/JUNE/03		
CHECK:	DATED:	DRAWING NO.	
MEI FENG YIN	6/JUNE/03		
RELEASED:	DATED:	SCALE:	
MEI FENG YIN	6/JUNE/03	SHEET 2 OF	



* 14.31818 MHz for NTSC/EIA (60Hz)

- NOTE:
- SIO-D, SIO-C: SCCB Control
 - R2: Exposure optional control
 - R3: Back light option
 - R8: Extra 2x Gain
 - R9: Mirror option
 - R10: Gamma option
 - R12: Vertical Flip option
 - R13: SCCB enable

MAKE A SINGLE CONNECTION CLOSE TO J1.

..... : OPTION (Please Keep it in layout) for any further image quality improvement

Omnivision Technologies Inc		
Title OV7930/7430-MD, NTSC/EIA		
Size A	Document Number OV7930/7430-MD WITH PIC 12C508A	Rev A
Date Tuesday, November 26, 2002	Sheet 2 of 2	