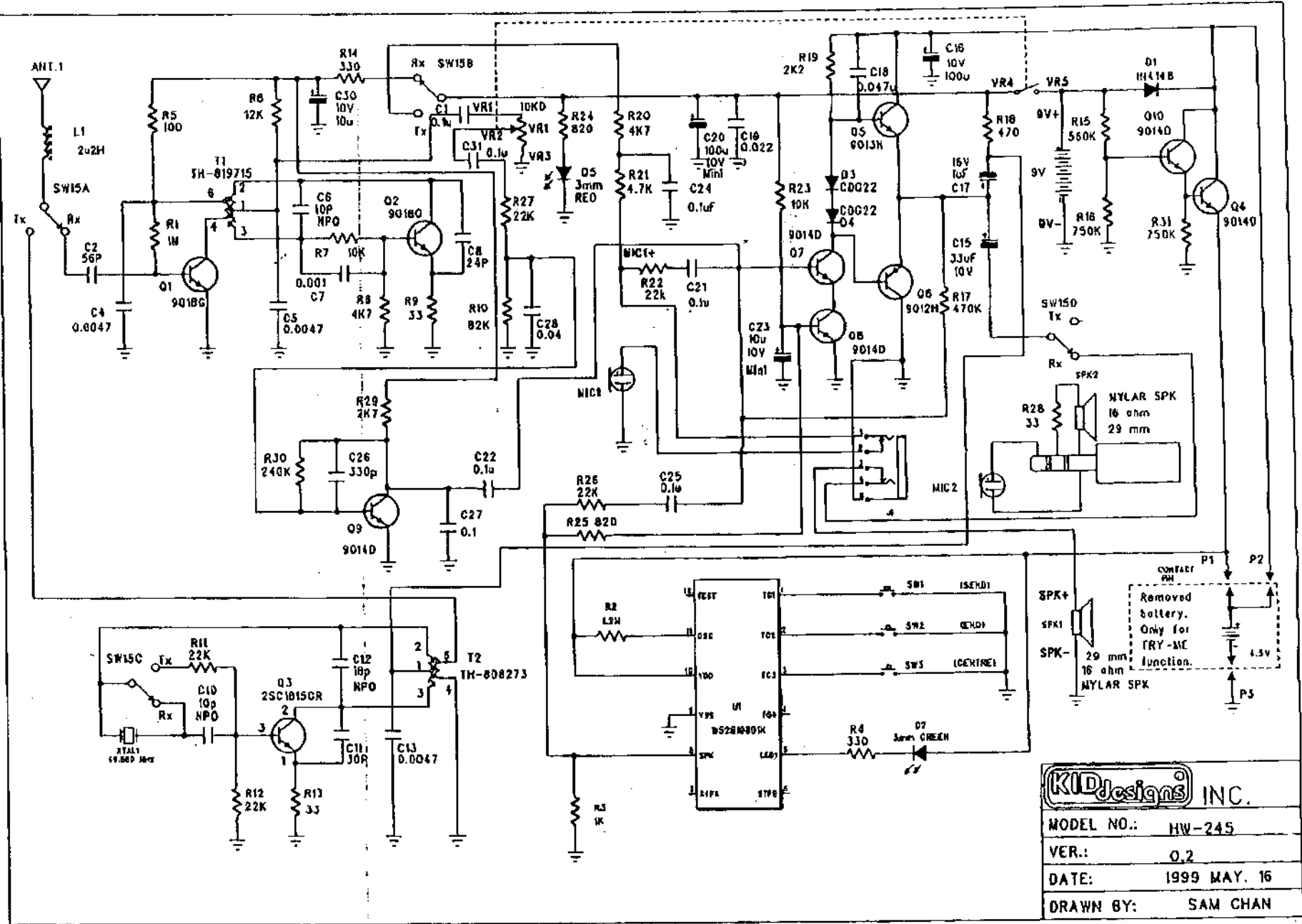


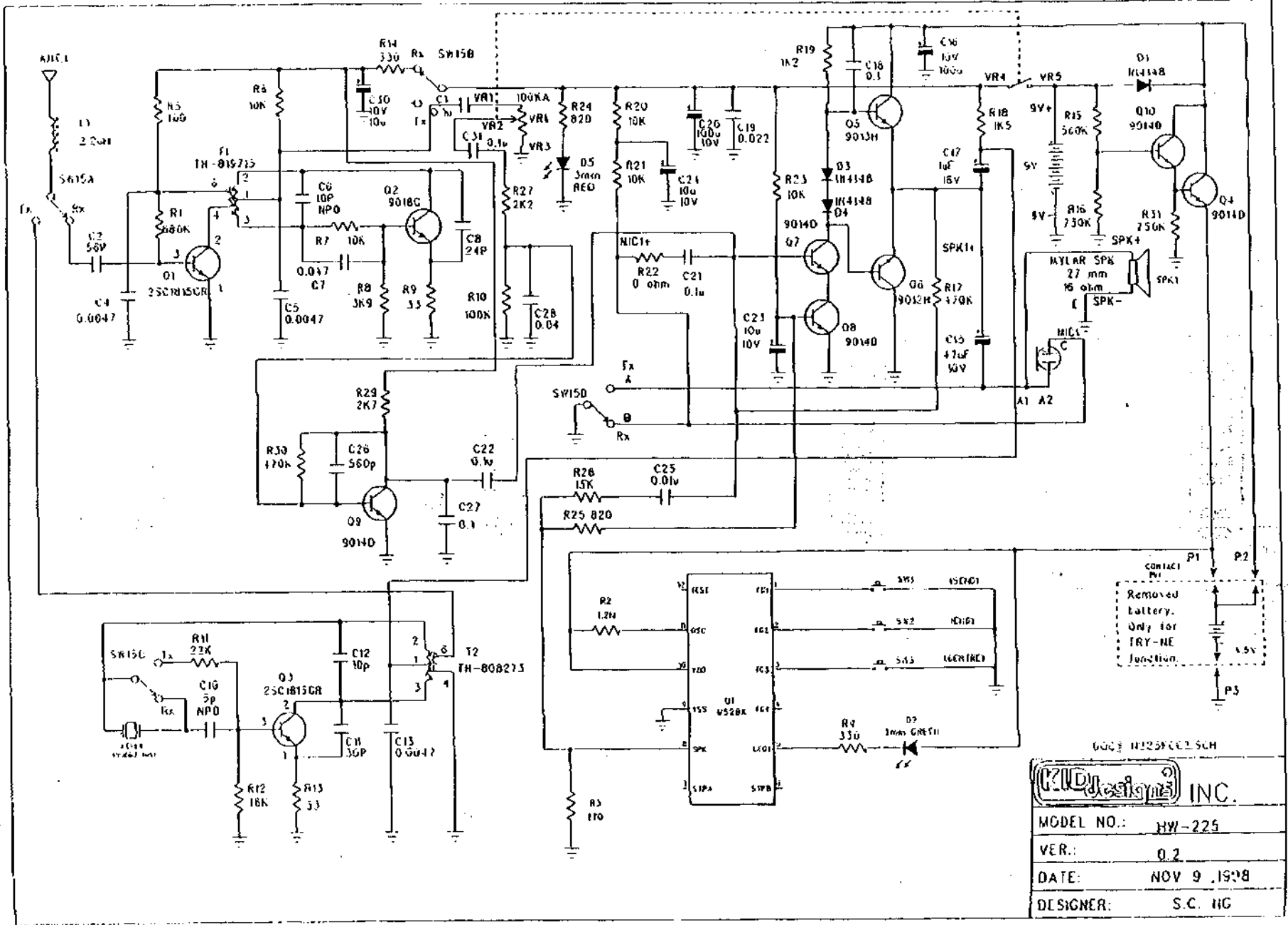
HW-245 Schematic Diagram




KIDesigns INC.

MODEL NO.:	HW-245
VER.:	0.2
DATE:	1999 MAY. 16
DRAWN BY:	SAM CHAN

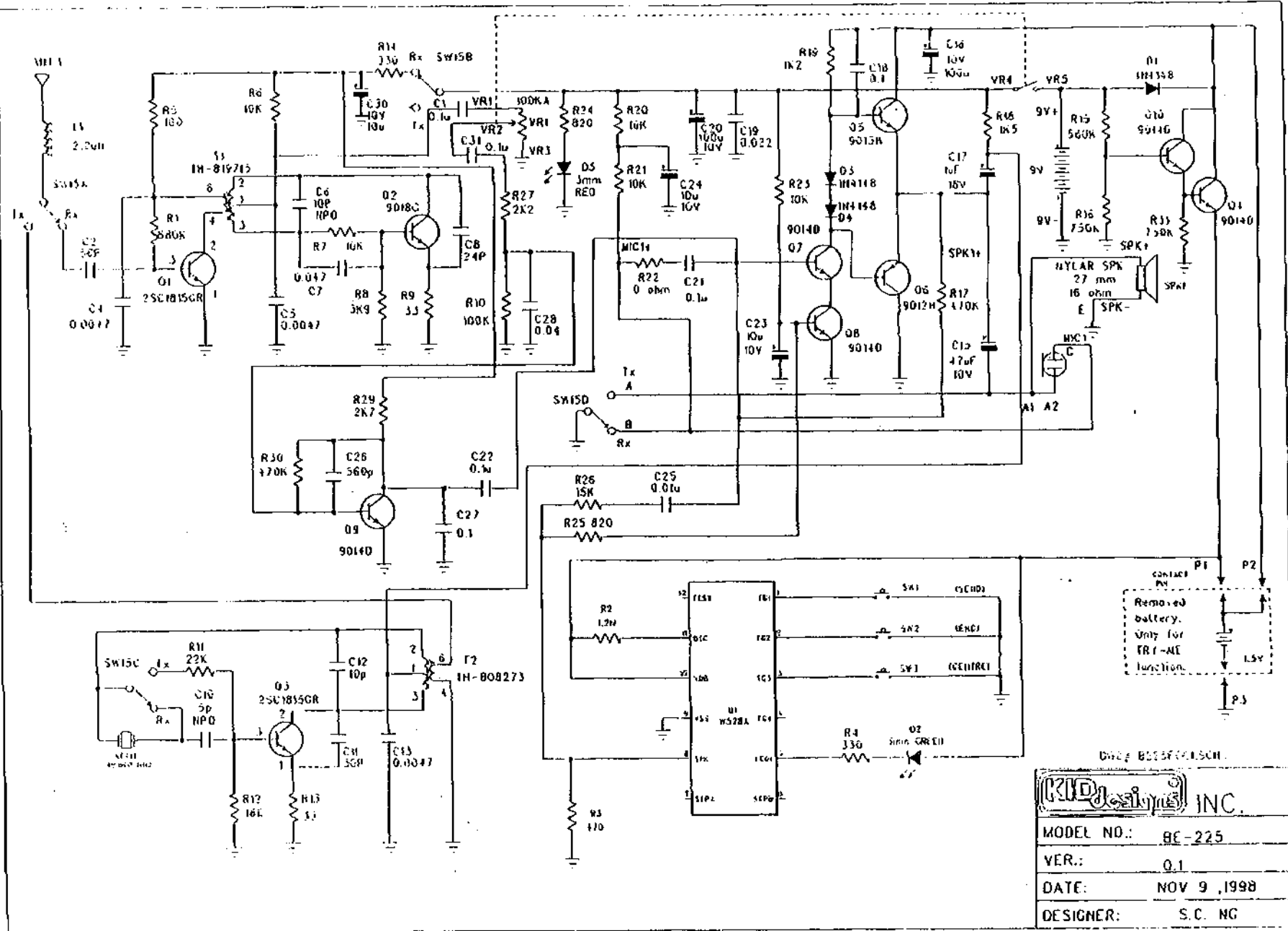
HW-225 Schematic Diagram



 INC.	
MODEL NO.:	HW-225
VER.:	0.2
DATE:	NOV 9 1998
DESIGNER:	S.C. HG

Removed Battery.
Only for TRY-NE Junction.

83-225 Schematic Diagram



KLING STUBBINS INC.

MODEL NO.:	BE-225
VER.:	0.1
DATE:	NOV 9, 1998
DESIGNER:	S.C. NG