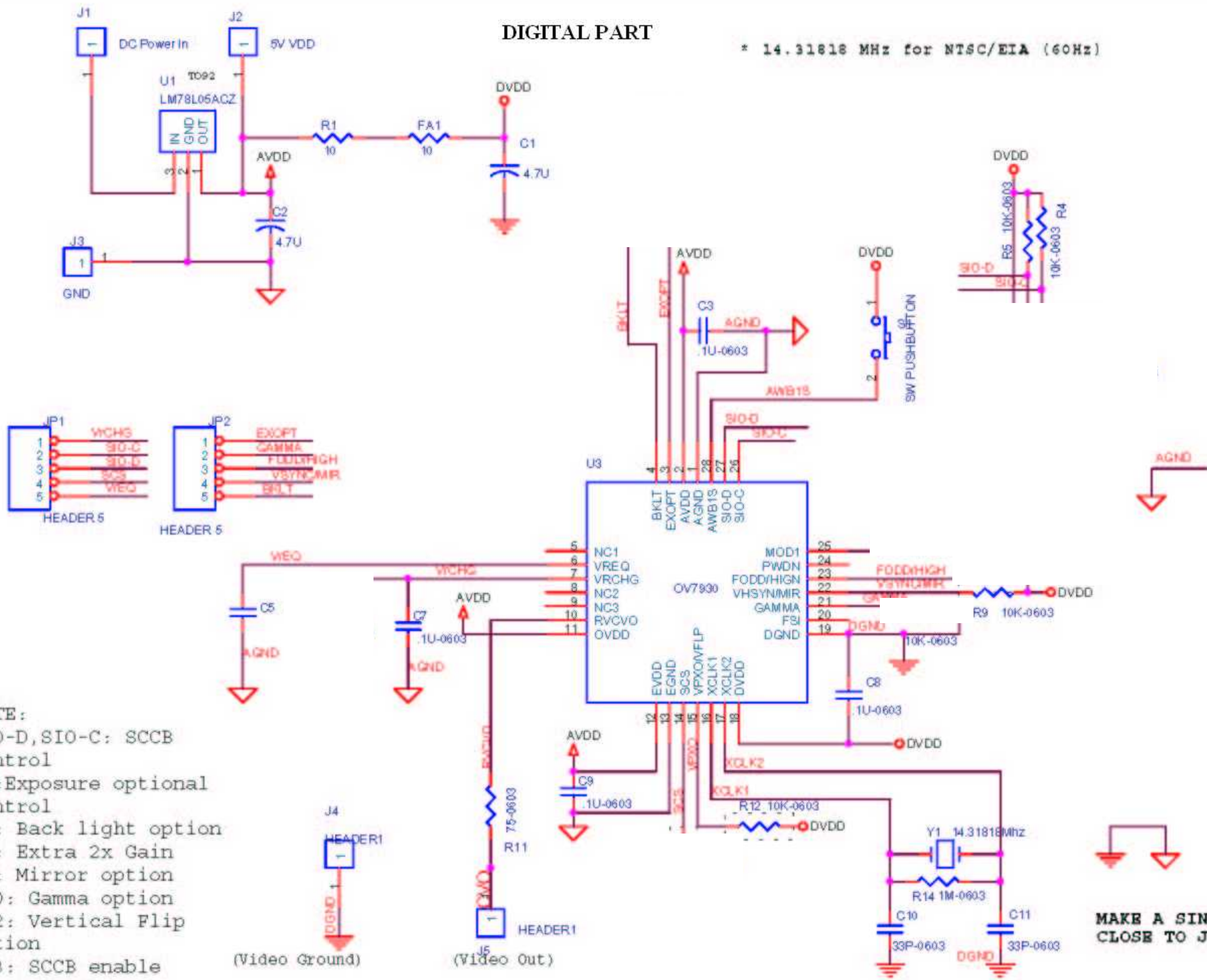


Size	Document Number	REV
B	DFM2400VBTX6	
Date	May 3, 2002	Sheet 1 of 1

DIGITAL PART

* 14.31818 MHz for NTSC/EIA (60Hz)



- NOTE:
- SI0-D, SI0-C: SCCB Control
 - R2: Exposure optional control
 - R3: Back light option
 - R8: Extra 2x Gain
 - R9: Mirror option
 - R10: Gamma option
 - R12: Vertical Flip option
 - R13: SCCB enable

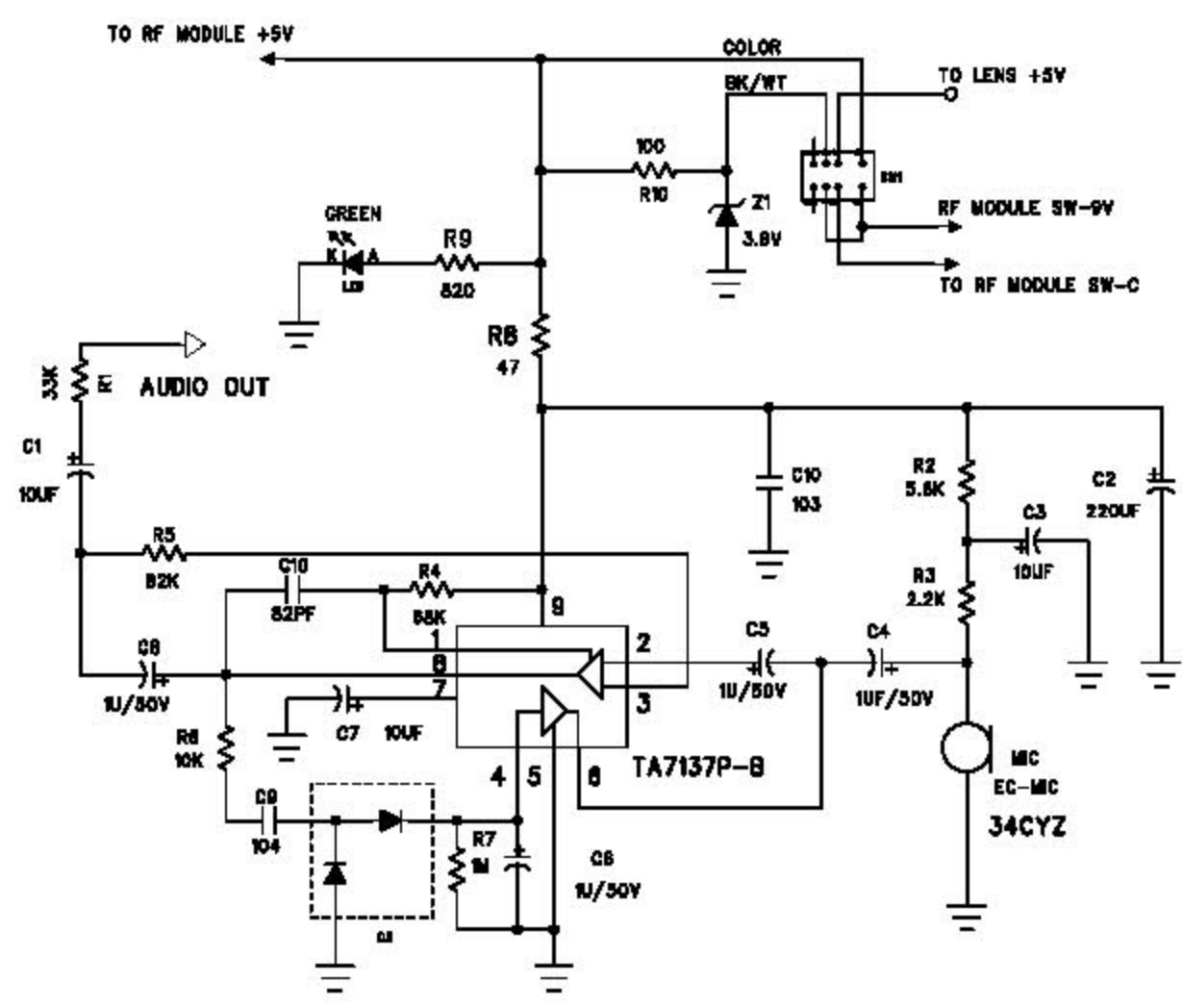
MAKE A SINGLE CONNECTION CLOSE TO J1.

KIDdesigns Inc.		
Title OV7930/7430-MD, NTSC/EIA		
Size A	Document Number OV7930/7430-MD WITH PIC 12C508A	Rev A
Date Tuesday, November 26, 2002	Sheet 2 of 2	

6 5 4 3 2 1

REVISION RECORD			
LTR	ECO NO:	APPROVED	DATE:

DIGITAL PART



COMPANY: KWOK'S WINTY MANUFACTURING LTD.

TITLE: BE-679 MIC AMP. CIRCUIT

DESIGNED: MEI FENG YIN	DATED: 6/JUNE/03
DRAWING: MEI FENG YIN	DATED: 6/JUNE/03
CHECK: MEI FENG YIN	DATED: 6/JUNE/03
RELEASED: MEI FENG YIN	DATED: 6/JUNE/03

CODE:	SIZE: C	DRAWING NO:	REV: 1.0
SCALE:		SHEET: 2F	

D
C
B
A

D
C
B
A