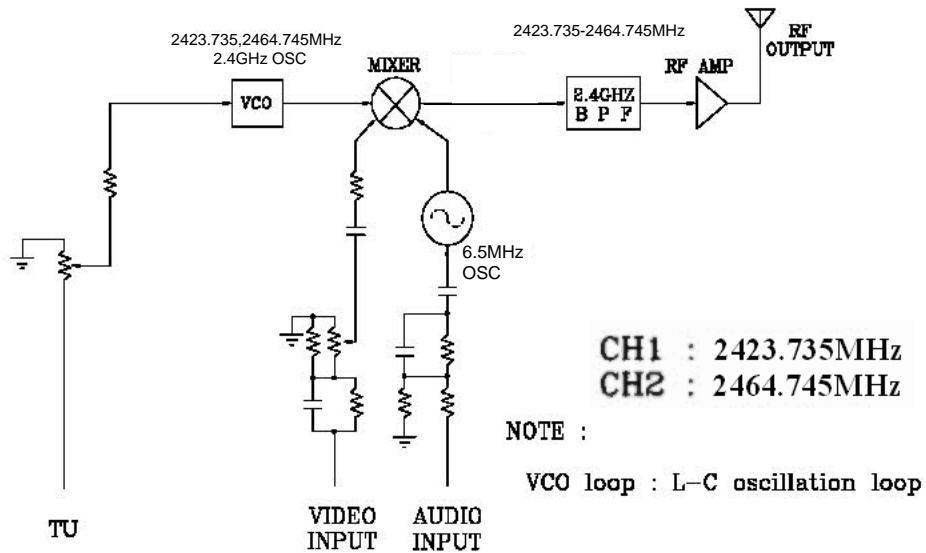


TRANSMITTER CIRCUIT BLOCK DIAGRAM



Transmitter :

The function of 2.4GHz transmitter is to transmit RF signals ^{2423.735 & 2464.745MHz} wirelessly by FM modulation with antenna.

Procedure:

- 1) Mix video signal with 2.4GHz OSC after video is pre-emphasized.
- 2) Mix audio signal with 2.4GHz OSC after audio is carried from 6.5MHz OSC to 6.5MHz.
- 3) Transmit RF signal with antenna after the RF signal is modulated, Band Pass Filter and Amplifier.

COMPONENT DESCRIPTION:

CATEGORY	NUMBER	DESCRIPTION
CAMERA CHIP	OV7930 (U3)	VIDEO SENSOR
AMP IC	TA7137P	MIC AMPLIFIER
INTEGRATED CIRCUIT	7805 (U1,IC1)	POWER SUPPLY
MICROPHONE	MIC	AUDIO INPUT
TRANSISTOR	2SC3356 (Q1,C10,R4,R9)	MIXER and 2.4GHz OSCILLATOR
TRANSISTOR	(Q2,C8,Q3)	B.P.F,RF AMPLIFIER
TRANSISTOR	2SC2412 (Q4,C25,C26,R17,LK1)	AUDIO MIXER and 6.5MHz OSCILLATOR