

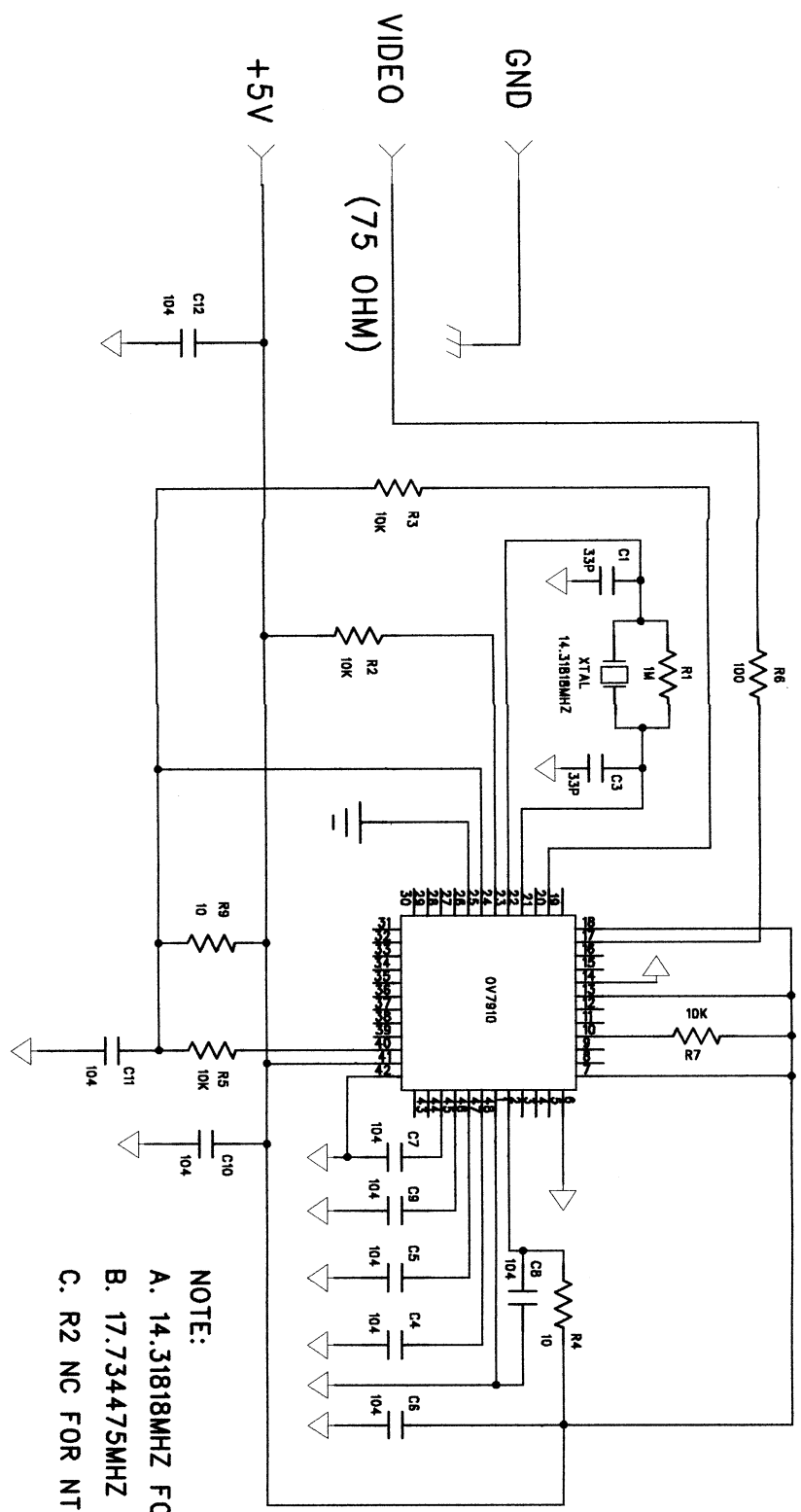
Size	Document Number	REV
B	BFM2400V01V6	1
Date	May 3, 2002	Sheet 1 of 1

6 5 4 3 2

278NR CMOS circuit

278NR 10

REVISION RECORD	
LTR	ECO NO:



- NOTE:
- A. 14.31818MHZ FOR NTSC/EIA (60HZ)
  - B. 17.734475MHZ FOR PAL/CCIR (50HZ)
  - C. R2 NC FOR NTSC

DRAWN:	YIN MEI FENG	DATED:	25/MAR/02
CHECKED:	YIN MEI FENG	DATED:	25/MAR/02
QUALITY CONTROL:		DATED:	
RELEASED:		DATED:	

COMPANY:		KWOK'S MANUFACTUNG LTD.	
TITLE:			
BE-278 CMOS CAMERA CIRCUIT.			
CODE:	SIZE:	DRAWING NO:	REV:
	A4		1.0
SCALE:	SHEET:		OF

