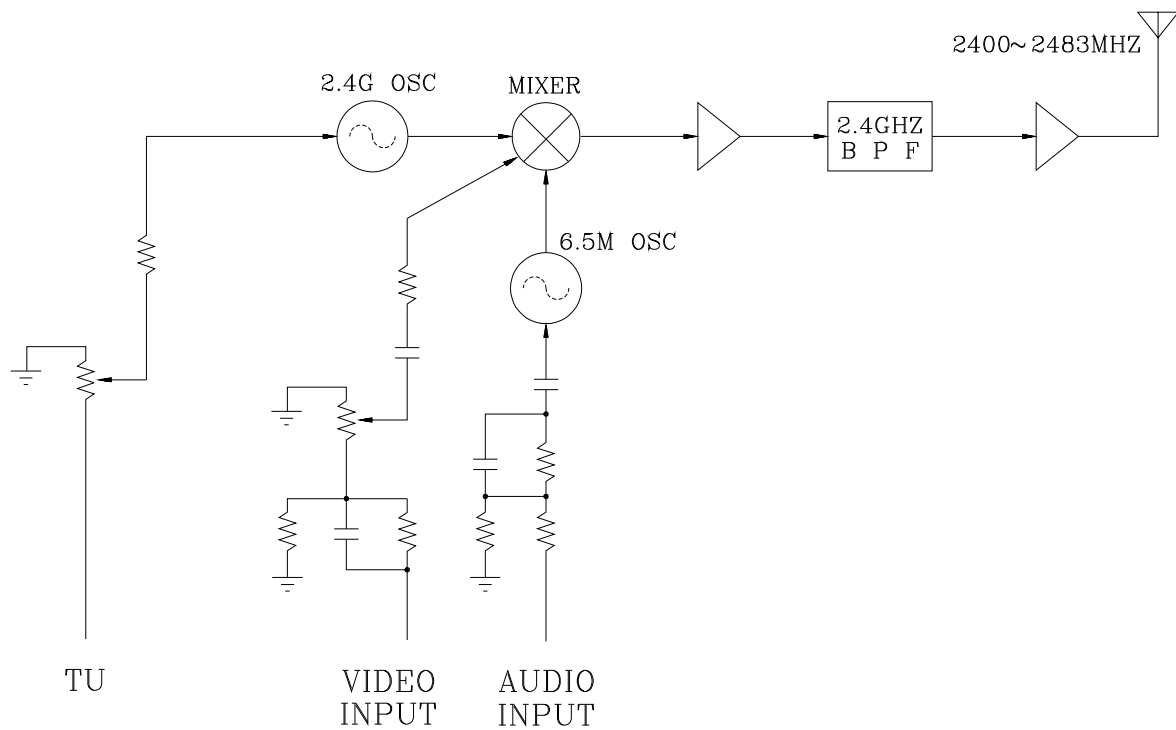


TRANSMITTER CIRCUIT BLOCK DIAGRAM



Transmitter:

The function of 2.4GHz transmitter is to transmit RF signals (2.4~2.483GHz) wirelessly by FM modulation with antenna.

Procedure:

- 1) Mix video signal with 2.4GHz OSC after video is pre-emphasized.
- 2) Mix audio signal with 2.4GHz OSC after audio is carried from 6.5MHz OSC to 6.5MHz.
- 3) Transmit RF signal with antenna after the RF signal is modulated, Band Pass Filter and Amplifier.