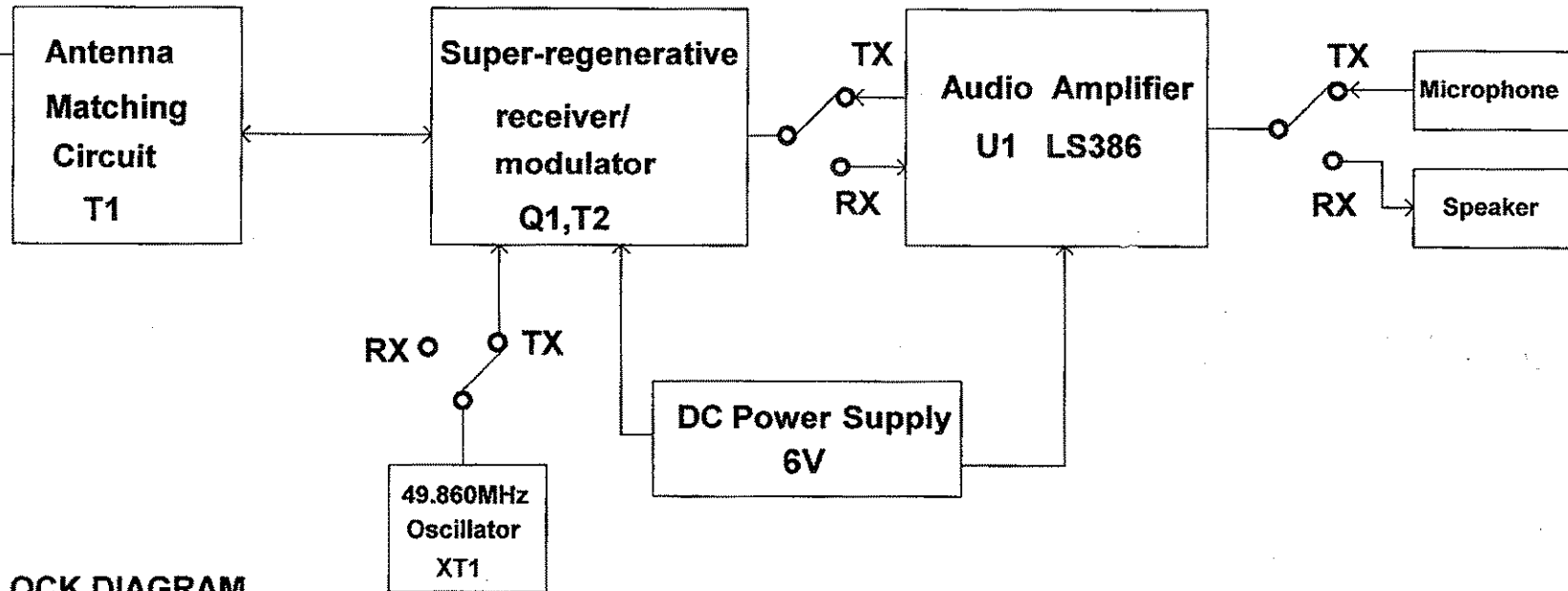


29 SEP 2006

49.860MHz  
ANTENNA



BLOCK DIAGRAM  
MODEL NO.BE-223  
FCC STANDARD  
MADE IN CHINA

Title  
Size  
A4  
Date:  
File:

**KENTEC IND (HK) LTD.**  
Number  
**BE-223**  
Date: 29-Sep-2006  
File: H:\uik\KENTEC.dbb

Revision  
**REV:A1**  
Sheet of  
Drawn By: 刘文祥