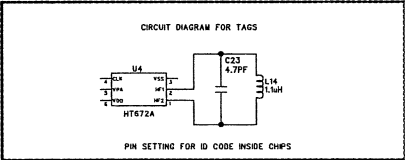
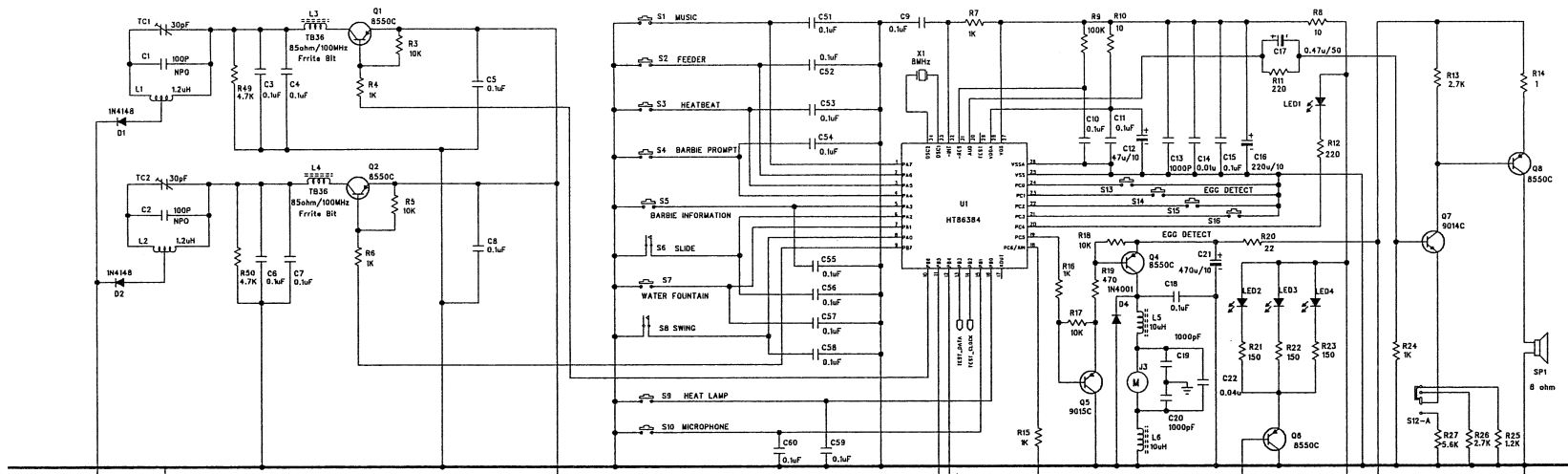


CIRCUIT DIAGRAM FOR READER



ALL RESISTOR UNIT ARE IN OHM

