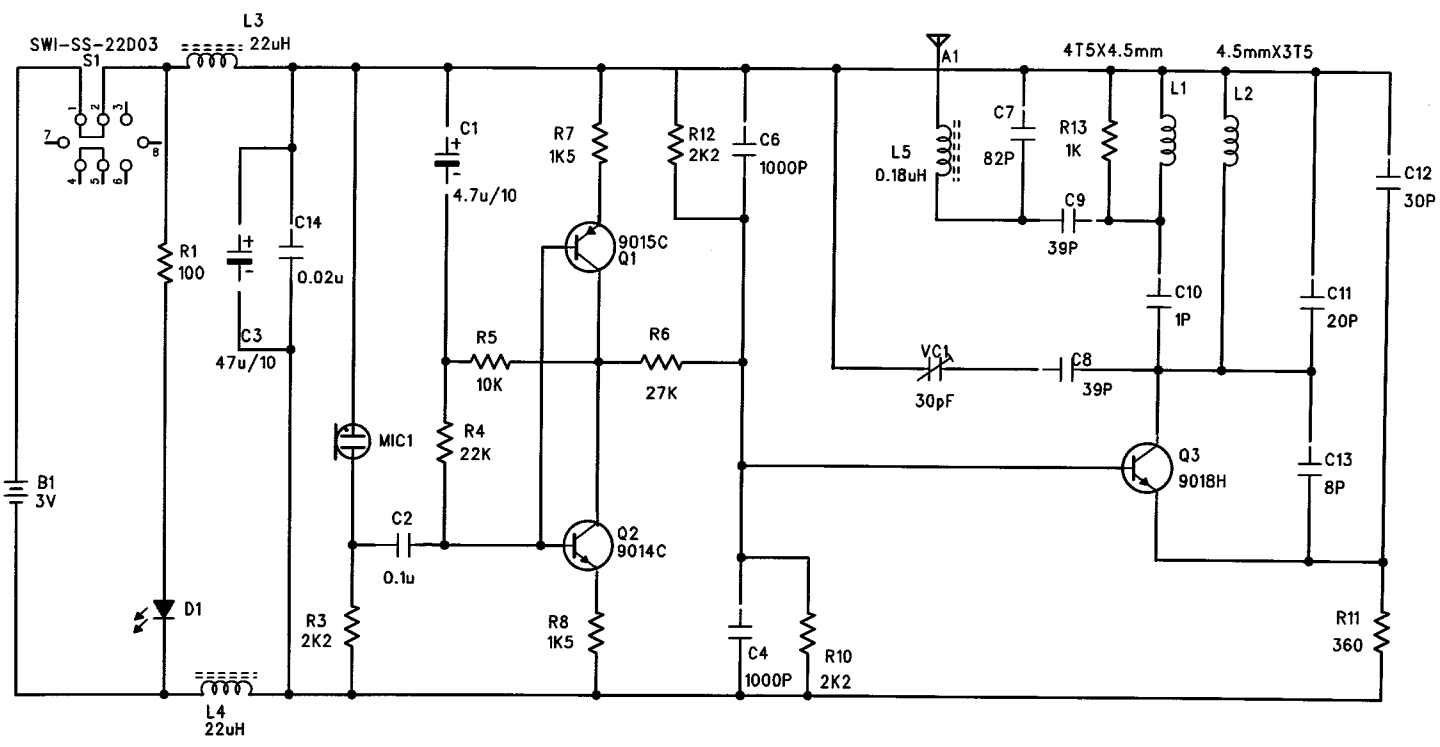


A B C D E F

ISSUE	ZONE	DESCRIPTION	DATE

1
2
3
4



REMARK: RESISTOR=1/16 W
PCB=1.6 MM

DRAWN BY : C.J.Chen	CHECKED BY :	APPROVED BY :	MODEL NO. : BE059
DATE : Aug 16 2002	VERSION : 0.4	SHEET 1 OF 1	REF. NO. :



A B C D E F