



Test Report

For

Applicant : ZyXEL Communications Corporation
Equipment Type : LAN / Gateway Router
Model : PRESTIGE 310 / 310-S, ZyWALL 10
FCC ID : I88PRESTIGE310S

Report No.: 00AH013FI



Test Report Certification

Quietek Corporation

No.75-1, Wang-Yeh Valley, Yung-Hsing, Chiung-Lin,
Hsin-Chu County, Taiwan, R.O.C.
Tel : 886-3-592-8858, Fax: 886-3-592-8859
E-Mail : quietek@ms24.hinet.net

Accredited by NIST(NVLAP), VCCI, BSMI, DNV, TUV

Applicant : ZyXEL Communications Corporation
Address : No.6, Innovation Rd II, Science-Based Industrial Park,
Hsin-Chu, Taiwan, R.O.C.
Equipment Type : LAN / Gateway Router
Model : PRESTIGE 310 / 310-S, ZyWALL 10
FCC ID. : I88PRESTIGE310S
Measurement Standard : CISPR 22/1985
Measurement Procedure : ANSI C63.4 /1992
Operation Voltage : 120VAC/60Hz
Classification : Class B
Test Result : Complied
Test Date : Oct.06, 2000
Report No. : 00AH013FI



The Test Results relate only to the samples tested.

The test report shall not be reproduced except in full without the written approval of Quietek Corporation.

This report must not be used to claim product endorsement by NVLAP any agency of the U.S. Government

Documented by: Lisa Chen

Test Engineer: Jison Chang

Approved: Kevin Wang

Handwritten signature of Lisa Chen in cursive script.

Handwritten signature of Jison Chang in cursive script.

Handwritten signature of Kevin Wang in cursive script.



TABLE OF CONTENTS

Description	Page
1. GENERAL INFORMATION	4
1.1 EUT Description	4
1.2 Tested System Details	5
1.3 EUT Configuration	8
1.4 EUT Exercise Software	9
1.5 Test performed	9
1.6 Test Facility	10
2. CONDUCTED EMISSION.....	11
2.1 Test Equipment List	11
2.2 Test Setup.....	11
2.3 Limits.....	11
2.4 Test Procedure.....	12
2.5 Test Results	12
3. RADIATED EMISSION	13
3.1 Test Equipment	13
3.2 Test Setup.....	13
3.3 Limits.....	14
3.4 Test Procedure.....	14
3.5 Test Results	14
4. EMI REDUCTION METHOD DURING COMPLIANCE TESTING.....	15
5. ATTACHMENT	16
ATTACHMENT 1: SUMMARY OF TEST RESULTS	
ATTACHMENT 2: EUT TEST PHOTOGRAPHS	
ATTACHMENT 3: EUT DETAILED PHOTOGRAPHS	



1. General Information

1.1 EUT Description

Applicant : ZyXEL Communications Corporation

Address : No.6, Innovation Rd II, Science-Based Industrial Park, Hsin-Chu, Taiwan, R.O.C.

Equipment Type : LAN / Gateway Router

Model : PRESTIGE 310 / 310-S, ZyWALL 10

FCC ID : I88PRESTIGE310S

Operation Voltage : 120VAC/60Hz

LAN Cable cross-over : Shielded, 1.8m

LAN Cable strait : Shielded, 1.8m

RS232 Y-Cable : Non-shielded, 0.9m

Power Adapter : MFR: ZyXEL, M/N: JAD-121200T
Output Cable: Non-shielded, 1.6m

Remark:

1. This device a LAN / Gateway Router.with 100Mbps transmission speed.
2. The different between different model is the firmware operated.
3. QuieTek had verified both construction and function of the above model in typical operation, then shown in the test report.



1.2 Tested System Details

The types for all equipment, plus descriptions of all cables used in the tested system (including inserted cards) are:

1.2.1 Host Personal Computer

Model Number : P2L97
Serial Number : 92M1Y00768
FCC ID : DoC
Manufacturer : ASUS
Power Cord : Non-Shielded, 1.8m

1.2.2 LAN / Gateway Router (EUT)

Model Number : PRESTIGE 310 / 310-S, ZyWALL 10
Serial Number : N/A
FCC ID : DoC
Manufacturer : ZyXEL
LAN Cable cross-over : Shielded, 1.8m
LAN Cable strait : Shielded, 1.8m
RS232 Y-Cable : Non-shielded, 0.9m
Adapter : MFR: ZyXEL, M/N: JAD-121200T
Output: Non-shielded, 1.6m

1.2.3 Monitor

Model Number : CM752ET-311
Serial Number : T8E004443
FCC ID : DoC
Manufacturer : HITACHI
Data Cable : Shielded, 1.5m
Power Cord : Shielded, 1.8m

1.2.4 Keyboard

Model Number : 6311-TW4C
Serial Number : 916590704C91F24437
FCC ID : DoC
Manufacturer : ACER
Data Cable : Shielded, 1.8m

1.2.5 Modem

Model Number : 1414
Serial Number : 980033039
FCC ID : IFAXDM1414
Manufacturer : ACEEX
Data Cable : Shielded, 1.5m
Power Adapter : ACCEX, SCP41-91000A
Cable Output : Shielded, 1.5m

- 1.2.6 Printer**
 Model Number : C2642A
 Serial Number : MY75N1D2BC
 FCC ID : B94C2642X
 Manufacturer : HP
 Data Cable : Shielded, 1.2m
 Power Adapter : NMB, C2175A
 Cable for AC IN: Non-Shielded, 0.7m
 Cable for AC Out: Non-Shielded, 1.5m
- 1.2.7 Mouse**
 Model Number : M-M35
 Serial Number : 811313-2000
 FCC ID : DZL210365
 Manufacturer : Logitech
 Data Cable : Shielded, 1.8m
- 1.2.8 USB Mouse**
 Model Number : M-S34
 Serial Number : LZA82474119
 FCC ID : DZL211029
 Manufacturer : Logitech
 Data Cable : Shielded, 1.8m
- 1.2.9 USB Mouse**
 Model Number : M-S34
 Serial Number : LZA81451691
 FCC ID : DZL211029
 Manufacturer : ACER
 Data Cable : Shielded, 1.8m
- 1.2.10 Earphone**
 Model Number : PH136
 Serial Number : N/A
 Manufacturer : BSD
 Data Cable : Shielded, 1.2m

Partner PC System

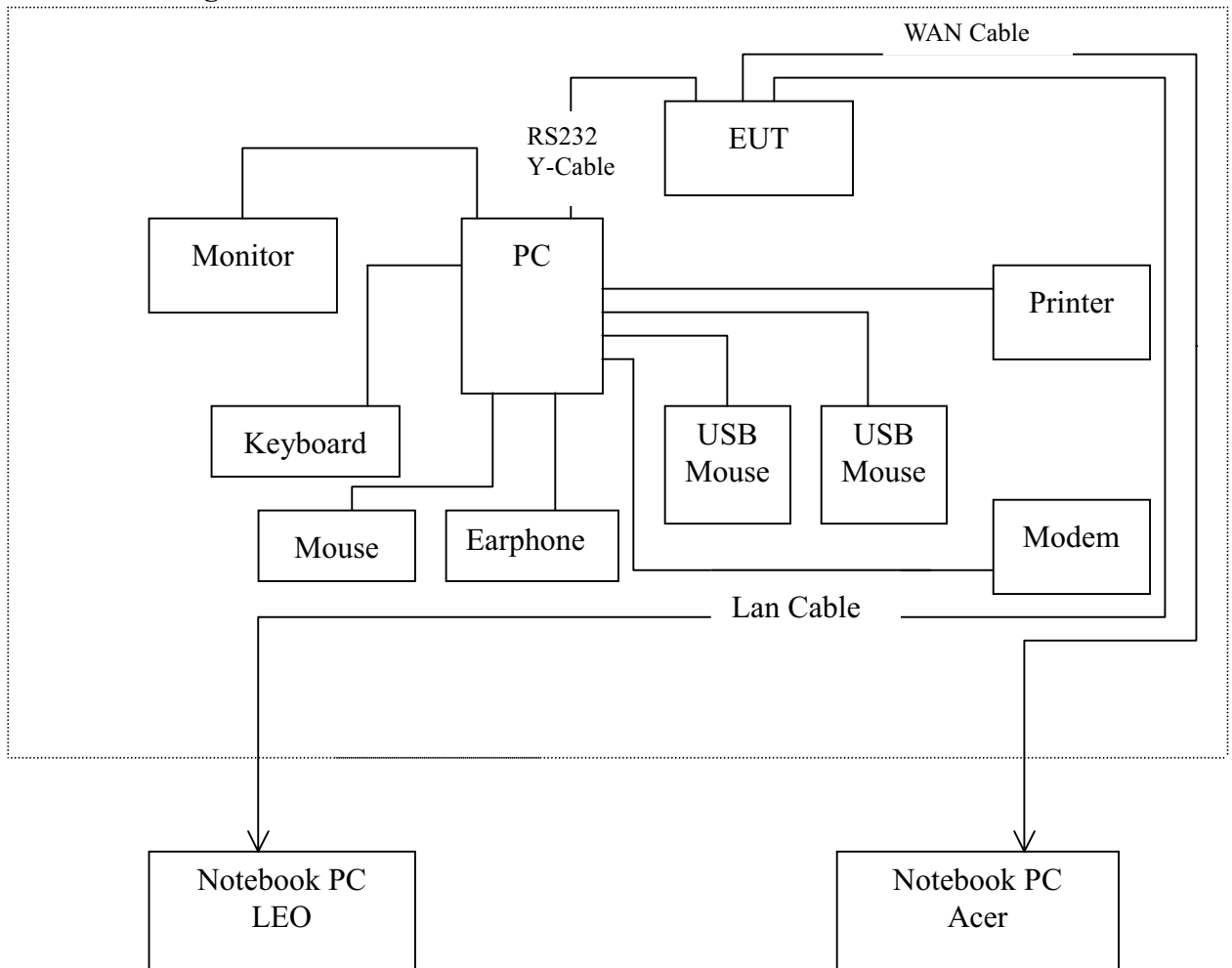
1.2.11 Notebook PC 1

Model Number : 500
Serial Number : 9145B0160C91000CF2M
Manufacturer : ACER
Power Adapter : DELTA, ADP-45GB
Cable In: Non-shielded, 1.8m
Cable Out: Shielded, 1.8m, a ferrite core bonded.

1.2.12 Notebook PC 2

Model Number : DESIGNOTE
Serial Number : NB7017260B
FCC ID : ENUDESIGNOTE3
Manufacturer : LEO
Power Adapter : LINE, LE-9401B20
Cable In: Non-shielded, 1.6m
Cable Out: Shielded, 1.2m

1.3 EUT Configuration



1.4 EUT Exercise Software

The EUT exercise program used during conducted testing was designed to exercise the EUT in a manner similar to a typical use. The exercise sequence is listed as below:

- 1.4.1 Setup the EUT and simulators as shown on 1.3.
- 1.4.2 Turn on the power of all equipment.
- 1.4.3 Boot the PC from Hard Disk .
- 1.4.4 Data will communicate between personal computer and partner notebook personal notebook through EUT.
- 1.4.5 The personal computer's and partner notebook personal notebook monitor will show the transmitting and receiving characteristics when the communication is success.
- 1.4.6 Printer and modem will keep at standby mode during Scanner operation.
- 1.4.7 Repeat the above procedure 1.4.4 to 1.4.7

1.5 Test performed

Conducted emissions were investigated over the frequency range from **0.15MHz to 30MHz** using a receiver bandwidth of 9kHz.

Radiated emissions were investigated over the frequency range from **30MHz to 1000MHz** using a receiver bandwidth of 120kHz. Radiated testing was performed at an antenna to EUT distance of 10 meters.



1.6 Test Facility

Ambient conditions in the laboratory:

Items	Required (IEC 68-1)	Actual
Temperature (°C)	15-35	20-35
Humidity (%RH)	25-75	50-65
Barometric pressure (mbar)	860-1060	950-1000

Site Description: November 3, 1998 File on
 Federal Communications Commission
 FCC Engineering Laboratory
 7435 Oakland Mills Road
 Columbia, MD 21046
 Reference 31040/SIT1300F2



September 30, 1998 Accreditation on NVLAP
 NVLAP Lab Code: 200347-0

February 23, 1999 Accreditation on DNV
 Statement No.: 413-99-LAB11



December 8, 1998 Registration on VCCI
 Registration No. for No.2 Shielded Room C-858
 Registration No. for No.1 Open Area Test Site R-823
 Registration No. for No.2 Open Area Test Site R-835



January 04, 1999 Accreditation on TÜV Rheinland
 Certificate No.: I9865712-9901



Name of firm : QuieTek Corporation

Site location : No.75-1, Wang-Yeh Valley, Yung-Hsing Tsuen,
 Chiung-Lin, Hsin-Chu County, Taiwan, R.O.C.

2. Conducted Emission

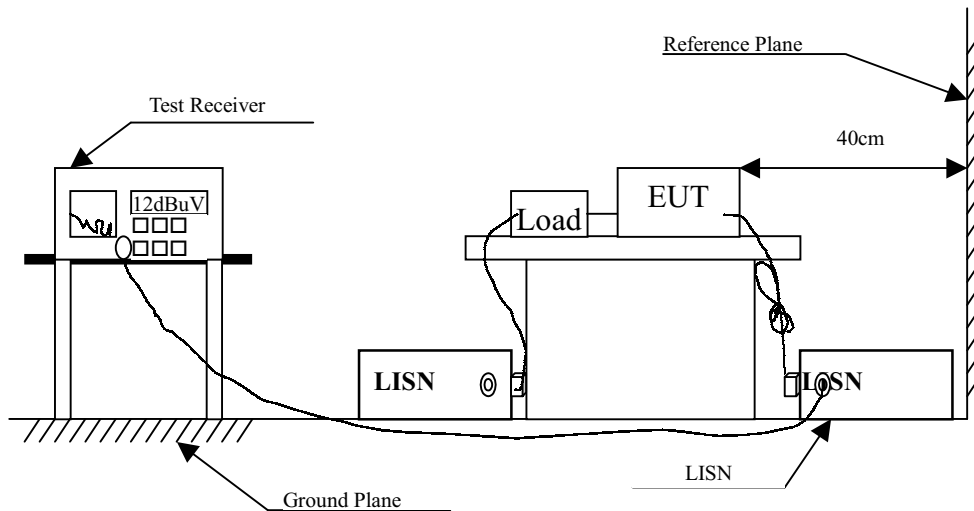
2.1 Test Equipment List

The following test equipment are used during the conducted emission test:

Item	Instrument	Manufacturer	Type No./Serial No	Last Cal.	Remark
1	Test Receiver	R & S	ESCS 30/825442/17	May, 2000	
2	L.I.S.N.	R & S	ESH3-Z5/825016/6	May, 2000	EUT
3	L.I.S.N.	Kyoritsu	KNW-407/8-1420-3	May, 2000	Peripherals
4	Pulse Limiter	R & S	ESH3-Z2	N/A	
5	N0.2 Shielded Room			N/A	

Note: All equipment upon which need to calibrated are with calibration period of 1 year.

2.2 Test Setup



2.3 Limits

CISPR 22 Limits (dBuV)					FCC Part 15 Subpart B (dBuV)				
Frequency MHz	Class A		Class B		Frequency MHz	Class A		Class B	
	QP	AV	QP	AV		uV	dBuV	uV	dBuV
0.15 - 0.50	79	66	66-56	56-46	0.45-1.705	1000	60.0	250	48.0
0.50-5.0	73	60	56	46	1.705-30	3000	69.5	250	48.0
5.0 - 30	73	60	60	50					

Remarks : In the above table, the tighter limit applies at the band edges.

2.4 Test Procedure

The EUT and simulators are connected to the main power through a line impedance stabilization network (L.I.S.N.). This provides a 50 ohm /50uH coupling impedance for the measuring equipment. The peripheral devices are also connected to the main power through a LISN that provides a 50ohm/50uH coupling impedance with 50ohm termination. (Please refers to the block diagram of the test setup and photographs.)

Both sides of A.C. line are checked for maximum conducted interference. In order to find the maximum emission, the relative positions of equipment and all of the interface cables must be changed according to ANSI C63.4 /1992 on conducted measurement.

The bandwidth of the field strength meter (R & S Test Receiver ESCS 30) is set at 9kHz.

2.5 Test Results

The conducted emission from the EUT is measured and shown in attachment 1 of test report. The acceptance criterion was met and the EUT passed the test.

3. Radiated Emission

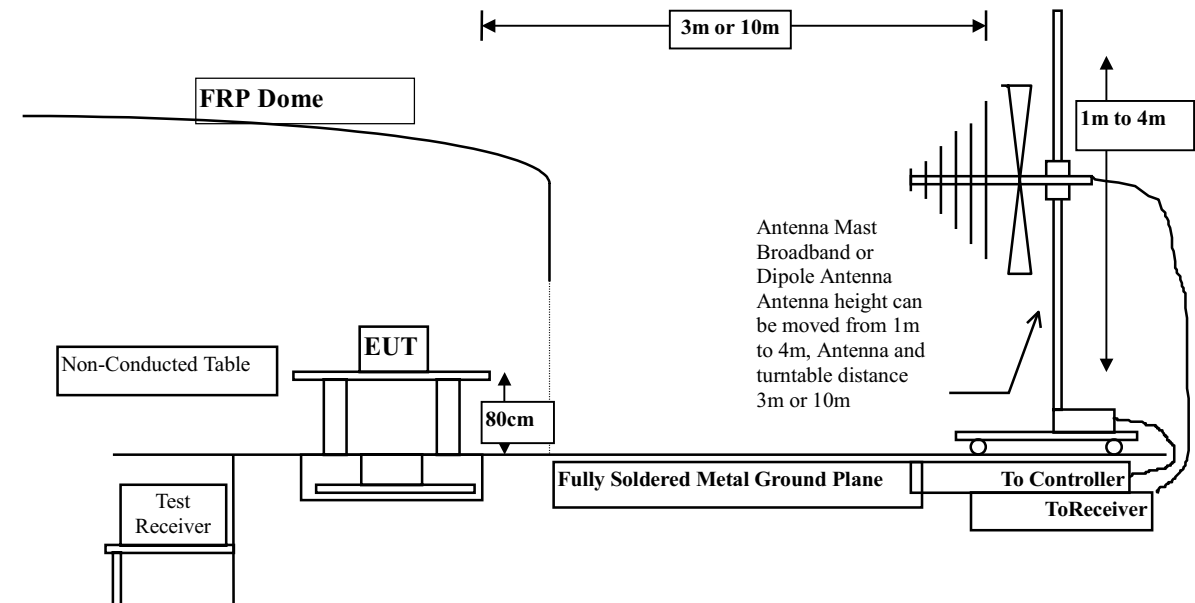
3.1 Test Equipment

The following test equipment are used during the radiated emission test:

Test Site		Equipment	Manufacturer	Model No./Serial No.	Last Cal.
Site # 1	X	Test Receiver	R & S	ESCS 30 / 825442/14	May, 2000
		Spectrum Analyzer	Advantest	R3261C / 71720140	May, 2000
		Pre-Amplifier	HP	8447D/3307A01812	May, 2000
	X	Bilog Antenna	Chase	CBL6112B / 12452	Sep., 2000
	X	Horn Antenna	EM	EM6917 / 103325	May, 2000
Site # 2	X	Test Receiver	R & S	ESCS 30 / 825442/17	May, 2000
		Spectrum Analyzer	Advantest	R3261C / 71720609	May, 2000
		Pre-Amplifier	HP	8447D/3307A01814	May, 2000
	X	Bilog Antenna	Chase	CBL6112B / 2455	Sep., 2000
	X	Horn Antenna	EM	EM6917 / 103325	May, 2000

- Note:
1. All equipment upon which need to calibrated are with calibration period of 1 year.
 - 2.. Mark "X" test instruments are used to measure the final test results.

3.2 Test Setup



3.3 Limits

CISPR 22					FCC Part 15 Subpart B				
Frequency	Class A		Class B		Frequency	Class A		Class B	
MHz	Distance (m)	dBuV/m	Distance (m)	dBuV/m		UV/m	DBuV/m	UV/m	DBuV/m
30 – 230	10	40	10	30	30 – 88	90	39	100	40.0
230 – 1000	10	47	10	37	88 – 216	150	43.5	150	43.5
					216 – 960	210	46.5	200	46.0
					960 - 2000	300	49.5	500	54.0

Remark: 1. The tighter limit shall apply at the edge between two frequency bands.

2. Distance refers to the distance in meters between the measuring instrument antenna and the closed point of any part of the device or system.

3. RF Line Voltage (dBuV/m) = 20 log RF Line Voltage (uV/m)

3.4 Test Procedure

The EUT and its simulators are placed on a turn table which is 0.8 meter above ground. The turn table can rotate 360 degrees to determine the position of the maximum emission level. The EUT was positioned such that the distance from antenna to the EUT was 10 meters . The antenna can move up and down between 1 meter and 4 meters to find out the maximum emission level.

Both horizontal and vertical polarization of the antenna are set on measurement. In order to find the maximum emission, all of the interface cables must be manipulated according to ANSI C63.4 /1992 on radiated measurement.

The bandwidth below 1GHz setting on the field strength meter (R&S Test Receiver ESCS 30) is 120 kHz.

3.5 Test Results

The radiated emission from the EUT is measured and shown in attachment 1 of test report. The acceptance criterion was met and the EUT passed the test.

4. EMI Reduction Method During Compliance Testing

No modification was made during testing.



5. Attachment

Attachment 1: Summary of Test Results	Number of Pages: 5
Attachment 2: EUT Test Photographs	Number of Pages: 2
Attachment 3: EUT Detailed Photographs	Number of Pages: 8



Attachment 1 : Summary of Test Results

The test results in the emission and immunity were performed according to the requirements of measurement standard and process. QuieTek Corporation is assumed full responsibility for the accuracy and completeness of these measurements. The test data of the emission and immunity are listed as the attached data.

All the tests were carried out with the EUT in normal operation, which was defined as:

Mode 1: 100Mbps

The EUT passed all the tests.

The uncertainty is calculated in accordance with NAMAS NIS 81, The total uncertainty for this test is as follows:

► Emission Test

- Uncertainty in the Conducted Emission Test: $< \pm 2.0$ dB
- Uncertainty in the field strength measured: $< \pm 4.0$ dB



CONDUCTED EMISSION DATA

Date of Test : Oct.06, 2000 EUT : LAN / Gateway Router
 Test Mode : Mode 1 Detect Mode : Quasi-Peak & Average

Frequency MHz	Cable Loss dB	LISN Factor dB	Reading Level Line1 dBuV	Measurement Level Line1 dBuV	Limits dBuV
*0.236	0.02	0.10	45.49	45.61	62.23
0.295	0.04	0.10	43.89	44.03	60.40
0.396	0.05	0.10	41.83	41.98	57.93
0.541	0.07	0.10	39.27	39.44	56.00
0.576	0.07	0.10	38.49	38.66	56.00
18.244	0.34	0.42	33.31	34.07	60.00

Average:

0.236	0.02	0.10	14.60	14.72	52.24
0.295	0.04	0.10	13.10	13.24	50.38
0.396	0.05	0.10	10.90	11.05	47.94
0.541	0.07	0.10	8.20	8.37	46.00
0.576	0.07	0.10	7.50	7.67	46.00
18.244	0.34	0.42	28.20	28.96	50.00

Remarks :

1. “ * ” means that this data is the worst emission level.



CONDUCTED EMISSION DATA

Date of Test : Oct.06, 2000 EUT : LAN / Gateway Router
 Test Mode : Mode 1 Detect Mode : Quasi-Peak & Average

Frequency MHz	Cable Loss dB	LISN Factor dB	Reading Level Line2 dBuV	Measurement Level Line2 dBuV	Limits dBuV
*0.205	0.02	0.10	43.97	44.09	63.42
0.236	0.02	0.10	42.71	42.83	62.24
0.302	0.04	0.10	40.63	40.77	60.18
0.404	0.05	0.10	38.17	38.32	57.77
16.228	0.33	0.38	30.83	31.54	60.00
17.693	0.34	0.41	33.29	34.04	60.00

Average:

0.205	0.02	0.10	13.50	13.62	53.41
0.236	0.02	0.10	12.30	12.42	52.24
0.302	0.04	0.10	10.40	10.54	50.19
0.404	0.05	0.10	8.40	8.55	47.77
16.228	0.33	0.38	26.70	27.41	50.00
17.693	0.34	0.41	28.30	29.05	50.00

Remarks :

1. “ * ” means that this data is the worst emission level.



RADIATED EMISSION DATA

Date of Test : Oct.06, 2000 EUT : LAN / Gateway Router
 Test Mode : Mode 1 Test Site : No.2 Open Test Site

Freq.	Cable Loss	Probe Factor	PreAMP	Reading Level	Measurement Horizontal	Margin	Limit	Ant	Turn
MHz	dB	dB/m	dB	dBuV	dBuV/m	dB	dBuV/m	cm	deg
150.000	2.31	10.72	0.00	6.46	19.49	10.51	30.00	401	190
175.000	2.55	9.76	0.00	4.94	17.25	12.75	30.00	401	26
180.000	2.60	9.47	0.00	1.42	13.48	16.52	30.00	401	10
200.000	2.78	9.30	0.00	5.46	17.54	12.46	30.00	401	0
225.000	3.03	9.83	0.00	2.75	15.61	14.39	30.00	388	84
250.000	3.27	12.61	0.00	4.64	20.52	16.48	37.00	388	107
300.000	3.76	13.36	0.00	3.41	20.52	16.48	37.00	354	111
400.000	4.28	15.85	0.00	2.87	23.00	14.00	37.00	348	61
*500.000	4.79	17.34	0.00	6.30	28.43	8.57	37.00	180	92

Remarks :

- 1.All Readings below 1GHz are Quasi-Peak, above are average value.
- 2.“ * ”, means this data is the worst emission level.
- 3.Emission Level = Reading Level + Antenna Factor + Cable loss



RADIATED EMISSION DATA

Date of Test : Oct.06, 2000 EUT : LAN / Gateway Router
 Test Mode : Mode 1 Test Site : No.2 Open Test Site

Freq.	Cable Loss	Probe Factor	PreAMP	Reading Level	Measurement Vertical	Margin	Limit	Ant	Turn
MHz	dB	dB/m	dB	dBuV	dBuV/m	dB	dBuV/m	cm	deg
120.025	2.02	11.56	0.00	6.90	20.48	9.52	30.00	100	131
125.000	2.07	11.49	0.00	6.42	19.98	10.02	30.00	100	19
150.000	2.31	10.43	0.00	0.81	13.55	16.45	30.00	100	81
175.000	2.55	9.32	0.00	7.36	19.23	10.77	30.00	100	54
180.000	2.60	9.21	0.00	5.58	17.39	12.61	30.00	100	88
*200.000	2.78	9.07	0.00	12.07	23.93	6.07	30.00	100	70
225.000	3.03	9.68	0.00	5.51	18.21	11.79	30.00	100	2
250.000	3.27	12.26	0.00	7.56	23.09	13.91	37.00	100	142
400.000	4.28	16.05	0.00	5.47	25.80	11.20	37.00	100	181
432.095	4.44	16.83	0.00	6.32	27.60	9.40	37.00	323	1
457.450	4.57	17.02	0.00	6.34	27.93	9.07	37.00	323	1
500.000	4.79	17.14	0.00	4.64	26.57	10.43	37.00	282	202

Remarks:

- 1.All Readings below 1GHz are Quasi-Peak, above are average value.
- 2.“ * ”, means this data is the worst emission level.
- 3.Emission Level = Reading Level + Antenna Factor + Cable loss

