

ZyXEL

COMMUNICATIONS EQUIPMENT

No. 6, Innovation Rd. II,
Science-Based Industrial Park, Hsinchu, Taiwan, 300 R.O.C.
Tel: (886)3-5783942 Fax: (886)3-5782439

FCC ID.:I88PRESTIGE310

EXHIBIT 3

Test Report With EUT Photograph



Test Report

For

Applicant : ZyXEL Communications Corporation
Equipment Type : LAN Router
Model : Prestige 310
FCC ID : I88PRESTIGE310

Report No. : 994016F



Test Report Certification

QuieTek Corporation

No.75-1, Wang-Yeh Valley, Yung-Hsing, Chiung-Lin,
Hsin-Chu County, Taiwan, R.O.C.

Tel : 886-3-592-8858, Fax: 886-3-592-8859

E-Mail : quietek@ms24.hinet.net

Accredited by NIST(NVLAP), VCCI, BSMI, DNV, TUV

Applicant : ZyXEL Communications Corporation
 Address : No.6, Innovation Rd. II, Science-Based Industrial Park, Hsin-Chu, Taiwan, R.O.C.
 Equipment Type : LAN Router
 Model : Prestige 310
 FCC ID. : I88PRESTIGE310
 Measurement Standard : CISPR 22/1994
 Measurement Procedure : ANSI C63.4 /1992
 Operation Voltage : 120Vac/60Hz
 Classification : Class B
 Test Result : Complied
 Test Date : June 1, 1999
 Report No. : 994016F



The Test Results relate only to the samples tested.

The test report shall not be reproduced except in full without the written approval of QuieTek Corporation.

This report must not be used to claim product endorsement by NVLAP any agency of the U.S. Government

Documented by: Kim Hung

Test Engineer: Jack Wu

Approved: Gene Chang



TABLE OF CONTENTS

	Description	Page
1.	GENERAL INFORMATION.....	4
1.1	EUT Description.....	4
1.2	Tested System Details.....	5
1.3	EUT Configuration.....	7
1.4	EUT Exercise Software.....	8
1.5	Test performed.....	8
1.6	Test Facility.....	9
2.	CONDUCTED EMISSION.....	10
2.1	Test Equipment List.....	10
2.2	Test Setup.....	10
2.3	Limits.....	10
2.4	Test Procedure.....	11
2.5	Test Results.....	11
3.	RADIATED EMISSION.....	12
3.1	Test Equipment.....	12
3.2	Test Setup.....	12
3.3	Limits.....	13
3.4	Test Procedure.....	13
3.5	Test Results.....	13
4.	SUMMARY OF TEST RESULTS.....	14
5.	EMI REDUCTION METHOD DURING COMPLIANCE TESTING.....	19
6.	TEST PHOTOGRAPHS.....	20
7.	EUT DETAIL PHOTOGRAPHS.....	22

ATTACHMENT

LABORATORY OF LICENSE



1. General Information

1.1 EUT Description

Applicant : ZyXEL Communications Corporation

Address : No.6,Innovation Rd. II, Science-Based Industrial
Park, Hsin-Chu , Taiwan, R.O.C.

Equipment Type : LAN Router

Model : Prestige 310

FCC ID : I88PRESTIGE310

Operation Voltage : 120Vac/60Hz

Power Adapter : AC, Cable Output :Non-shielded, 1.5m

LAN Cable : Shielded,1.9m, 2pcs

RS232 Cable : Non-shielded,2.9m, 1pcs

1.2 Tested System Details

The types for all equipment, plus descriptions of all cables used in the tested system (including inserted cards) are:

1.2.1 Host Personal Computer

Model Number : P2L97
Serial Number : 9837
FCC ID : DoC
Manufacturer : ASUS
Power Cord : Non-Shielded, 1.8m

1.2.2 Monitor

Model Number : CM752ET-311
Serial Number : T8F006364
FCC ID : DoC
Manufacturer : HITACHI
Data Cable : Shielded, 1.5m
Power Cord : Shielded, 1.8m

1.2.3 Keyboard

Model Number : 6311-TW2C
Serial Number : N/A
FCC ID : DoC
Manufacturer : ACER
Data Cable : Shielded, 1.8m

1.2.4 Mouse

Model Number : M-S34
Serial Number : LZB71178588
FCC ID : DZL211029
Manufacturer : HP
Data Cable : Shielded, 1.8m



1.2.5 Printer

Model Number : C2642A
Serial Number : MY75J1D1D2
FCC ID : B94C2642X
Manufacturer : HP
Data Cable : Shielded, 1.2m
Power Adapter : NMB, M/N: C2175A
Cable for AC IN: Non-Shielded, 0.7m
Cable for AC Out: Non-Shielded, 1.5m

1.2.6 Modem

Model Number : 1414
Serial Number : 980033033
FCC ID : IFAXDM1414
Manufacturer : ACEEX
Data Cable : Shielded, 1.5m
Power Adapter : ACCEX, M/N: SCP41-91000A
Cable Output : Shielded, 1.5m

1.2.7 Joystick

Model Number : JPD110
Serial Number : 9814A15646
FCC ID : DoC
Manufacturer : Maxxtro
Data Cable : Shielded, 1.7m

1.2.8 Video Camera

Model Number : Vcam 3X
Serial Number : N/A
FCC ID : DoC
Manufacturer : Mustek
Data Cable (USB) : Shielded, 1.5m

1.2.9 PC (a) Note Book

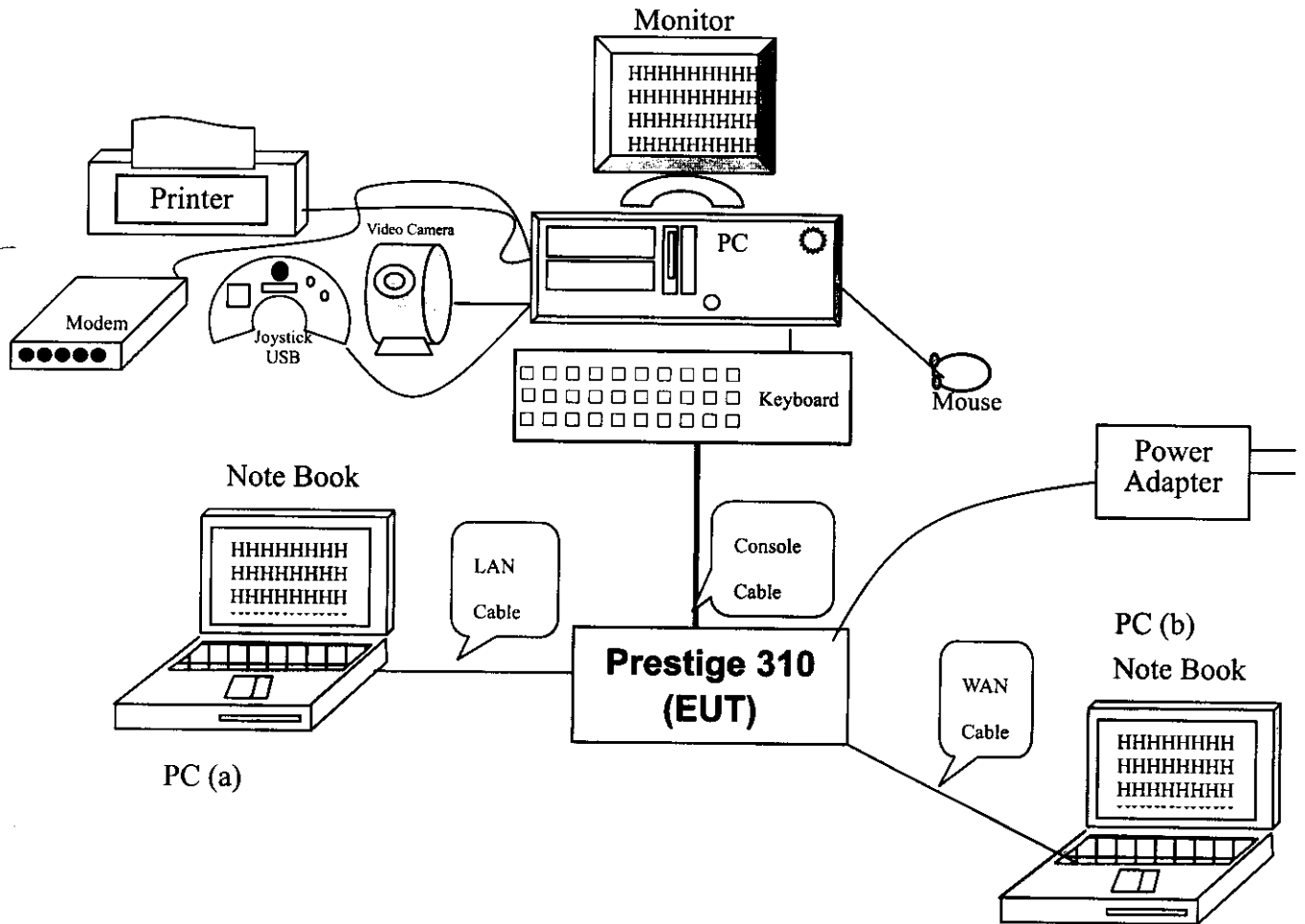
Model Number : DESIGNote 5600
Serial Number : N18901056
FCC ID : EUNDESIGNOTE61
Manufacturer : LEO
DC Rating : 19V 2.1A



1.2.10 PC (b) Note Book

Model Number : EXTENSA 503
Serial Number : 9145B0160C91400C1DM
Manufacturer : Acer
DC Rating : 19V 2.4A

1.3 EUT Configuration



1.4 EUT Exercise Software

The EUT exercise program used during conducted testing was designed to exercise the EUT in a manner similar to a typical use. The exercise sequence is listed as below:

1.4.1 Turned on EUT's power.

1.4.2 IP Setup:

PC 192.168.10.2

PC(a) 192.168.20.2

PC(b) 192.168.30.2

EUT WAN Port 192.168.20.1

EUT LAN Port 192.168.30.1

1.4.3 Setup PC:

PC(b) Server type

PC(a) Client type

1.4.4 Using the FTP application S/W, PC(a) will transmit data to PC(b) via EUT's.

1.4.5 EUT's will show statistics message to message to PC via Console port (RS-232).

1.4.6 LAN transmitted rate: about 500~600K Bytes/Sec.

1.4.7 Repeat step 2~5

1.5 Test performed

Conducted emissions were investigated over the frequency range from **0.15MHz to 30MHz** using a receiver bandwidth of 9kHz.

Radiated emissions were investigated over the frequency range from **30MHz to 1000MHz** using a receiver bandwidth of 120kHz. Radiated testing was performed at an antenna to EUT distance of 10 meters.

1.6 Test Facility

Ambient conditions in the laboratory:

Items	Required (IEC 68-1)	Actual
Temperature (°C)	15-35	20-35
Humidity (%RH)	25-75	50-65
Barometric pressure (mbar)	860-1060	950-1000

Site Description: November 3, 1998 File on
 Federal Communications Commission
 FCC Engineering Laboratory
 7435 Oakland Mills Road
 Columbia, MD 21046
 Reference 31040/SIT1300F2



September 30, 1998 Accreditation on NVLAP
 NVLAP Lab Code: 200347-0

February 23, 1999 Accreditation on DNV
 Statement No. : 413-99-LAB11



December 8, 1998 Registration on VCCI
 Registration No. for No.2 Shielded Room C-858
 Registration No. for No.1 Open Area Test Site R-823
 Registration No. for No.2 Open Area Test Site R-835



January 04, 1999 Accreditation on TÜV Rheinland
 Certificate No.: I9865712-9901



Name of firm : QuieTek Corporation

Site location : No.75-1, Wang-Yeh Valley, Yung-Hsing Tsuen,
 Chiung-Lin, Hsin-Chu County, Taiwan, R.O.C.

2. Conducted Emission

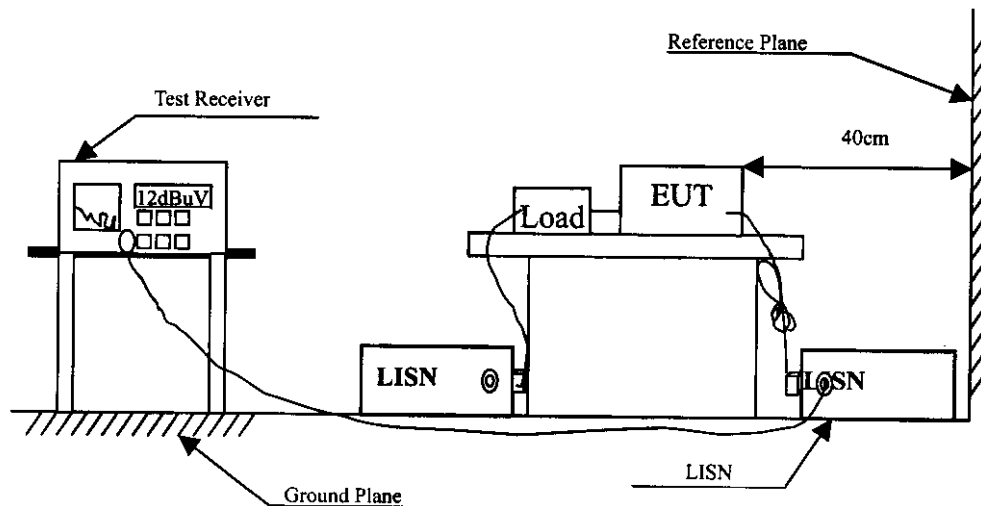
2.1 Test Equipment List

The following test equipment are used during the conducted emission test:

Item	Instrument	Manufacturer	Type No./Serial No	Last Cal.	Remark
1	Test Receiver	R & S	ESCS 30/825442/17	May, 1999	
2	L.I.S.N.	R & S	ESH3-Z5/825016/6	May, 1999	EUT
3	L.I.S.N.	Kyoritsu	KNW-407/8-1420-3	May, 1999	Peripherals
4	Pulse Limiter	R & S	ESH3-Z2	N/A	
5	N0.2 Shielded Room			N/A	

Note: All equipment upon which need to calibrated are with calibration period of 1 year.

2.2 Test Setup



2.3 Limits

CISPR 22 Limits (dBuV)					FCC Part 15 Subpart B (dBuV)				
Frequency MHz	Class A		Class B		Frequency MHz	Class A		Class B	
	QP	AV	MHz	AV		uV	dBuV	uV	dBuV
0.15 - 0.50	79	66	66-56	56-46	0.45-1.705	1000	60.0	250	48.0
0.50-5.0	73	60	56	46	1.705-30	3000	69.5	250	48.0
5.0 - 30	73	60	60	50					

Remarks : In the above table, the tighter limit applies at the band edges.

2.4 Test Procedure

The EUT and simulators are connected to the main power through a line impedance stabilization network (L.I.S.N.). This provides a 50 ohm /50uH coupling impedance for the measuring equipment. The peripheral devices are also connected to the main power through a LISN that provides a 50ohm/50uH coupling impedance with 50ohm termination. (Please refers to the block diagram of the test setup and photographs.)

Both sides of A.C. line are checked for maximum conducted interference. In order to find the maximum emission, the relative positions of equipment and all of the interface cables must be changed according to ANSI C63.4 /1992 on conducted measurement.

The bandwidth of the field strength meter (R & S Test Receiver ESCS 30) is set at 9kHz.

2.5 Test Results

The emission from the EUT was below the specified limits. The worst case emissions are shown in Chapter 4. The acceptance criterion was met and the EUT passed the test.



3. Radiated Emission

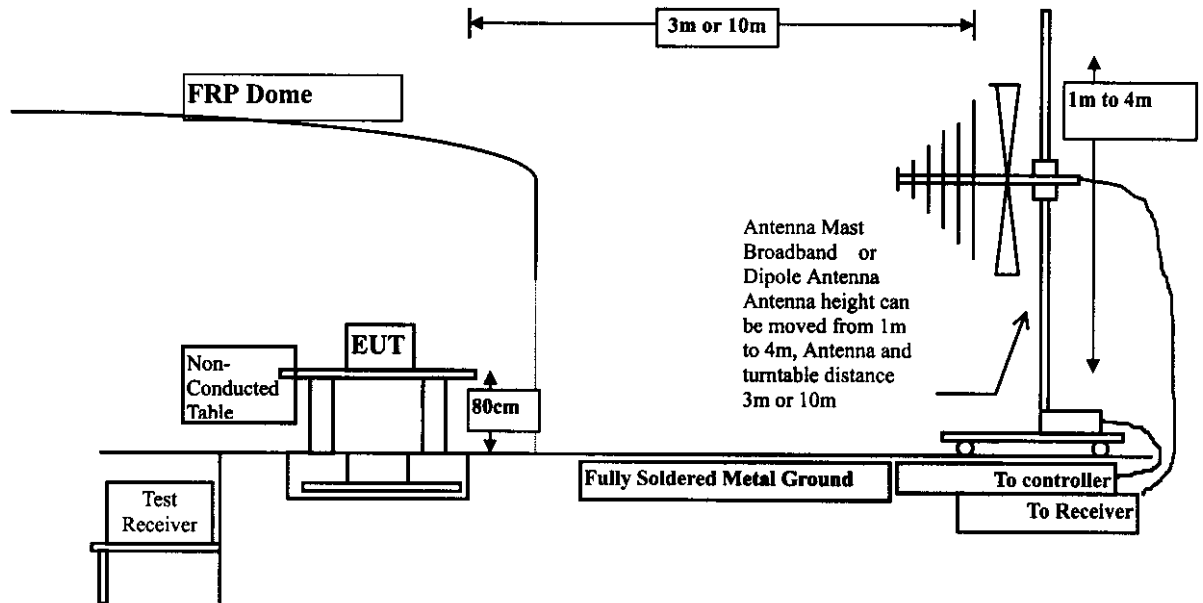
3.1 Test Equipment

The following test equipment are used during the radiated emission test:

Test Site		Equipment	Manufacturer	Model No./Serial No.	Last Cal.
Site # 1	X	Test Receiver	R & S	ESCS 30 / 825442/14	May, 1999
		Spectrum Analyzer	Advantest	R3261C / 71720140	May, 1999
		Pre-Amplifier	HP	8447D/3307A01812	May, 1999
	X	Bilog Antenna	Chase	CBL6112B / 12452	Sep., 1998
	X	Horn Antenna	EM	EM6917 / 103325	May, 1999
Site # 2	X	Test Receiver	R & S	ESCS 30 / 825442/17	May, 1999
		Spectrum Analyzer	Advantest	R3261C / 71720609	May, 1999
		Pre-Amplifier	HP	8447D/3307A01814	May, 1999
	X	Bilog Antenna	Chase	CBL6112B / 2455	Sep., 1998
	X	Horn Antenna	EM	EM6917 / 103325	May, 1999

- Note: 1. All equipment upon which need to calibrated are with calibration period of 1 year.
 2.. Mark "X" test instruments are used to measure the final test results.

3.2 Test Setup



3.3 Limits

CISPR 22 Limits (dBuV)					FCC Part 15 Subpart B (dBuV)				
Frequency MHz	Class A		Class B		Frequency	Class A		Class B	
	Distance (m)	dBuV/m	Distance (m)	dBuV/m		uV	dBuV	uV	dBuV
30 – 230	10	40	10	30	30 – 88	90	39	100	40.0
230 – 1000	10	47	10	37	88 – 216	150	43.5	150	43.5
					216 – 960	210	46.5	200	46.0
					960 - 2000	300	49.5	500	54.0

Remark: 1. The tighter limit shall apply at the edge between two frequency bands.

2. Distance refers to the distance in meters between the measuring instrument antenna and the closed point of any part of the device or system.

3. RF Line Voltage (dBuV) = 20 log RF Line Voltage (uV)

3.4 Test Procedure

The EUT and its simulators are placed on a turn table which is 0.8 meter above ground. The turn table can rotate 360 degrees to determine the position of the maximum emission level. The EUT was positioned such that the distance from antenna to the EUT was 10 meters. The antenna can move up and down between 1 meter and 4 meters to find out the maximum emission level.

Both horizontal and vertical polarization of the antenna are set on measurement. In order to find the maximum emission, all of the interface cables must be manipulated according to ANSI C63.4 /1992 on radiated measurement.

The bandwidth below 1GHz setting on the field strength meter (R&S Test Receiver ESCS 30) is 120 kHz.

3.5 Test Results

The emission from the EUT was below the specified limits. The worst case emissions are shown in Chapter 4. The acceptance criterion was met and the EUT passed the test.

4. Summary of Test Results

The test results in the emission were performed according to the requirements of measurement standard and process. QuieTek Corporation is assumed full responsibility for the accuracy and completeness of these measurements. The test data of the emission are listed as the attached data.

All the tests were carried out with the EUT in normal operation, which was defined as:

(1) Mode 1 :Normal Operation

The EUT passed all the tests.

The uncertainty is calculated in accordance with NAMAS NIS 81, The total uncertainty for this test is as follows:

► **Emission Test**

- Uncertainty in the Conducted Emission Test: $< \pm 2.0 \text{ dB}$
- Uncertainty in the field strength measured: $< \pm 4.0 \text{ dB}$

CONDUCTED EMISSION DATA

Date of Test : June 1,1999 EUT : LAN Router
 Test Mode : Mode 1 Detect Mode : Quasi-Peak & Average

Frequency MHz	Cable Loss dB	LISN Factor dB	Reading Level Line1 dBuV	Measurement Level Line1 dBuV	Limits dBuV
0.153	0.00	0.10	47.00	47.10	65.83
0.184	0.01	0.10	45.44	45.55	64.30
*0.291	0.03	0.10	41.94	42.07	60.51
0.470	0.06	0.10	37.50	37.66	56.51
0.888	0.09	0.10	34.70	34.89	56.00
23.127	0.37	0.50	38.90	39.78	60.00

Average:

0.153	0.00	0.10	21.00	21.10	55.84
0.184	0.01	0.10	18.50	18.61	54.30
0.291	0.03	0.10	12.80	12.93	50.50
0.470	0.06	0.10	8.80	8.96	46.51
0.888	0.09	0.10	6.30	6.49	46.00
23.127	0.37	0.50	37.20	38.08	50.00

Remarks :

1. "*" means that this data is the worst emission level.

CONDUCTED EMISSION DATA

Date of Test : June 1,1999 EUT : LAN Router
 Test Mode : Mode 1 Detect Mode : Quasi-Peak & Average

Frequency MHz	Cable Loss dB	LISN Factor dB	Reading Level Line2 dBuV	Measurement Level Line2 dBuV	Limits dBuV
0.154	0.00	0.10	48.62	48.72	65.79
0.189	0.01	0.10	47.55	47.66	64.08
0.240	0.02	0.10	45.53	45.65	62.10
*0.314	0.04	0.10	43.78	43.92	59.86
0.873	0.09	0.10	36.53	36.72	56.00
23.127	0.37	0.50	36.02	36.90	60.00

Average:

0.154	0.00	0.10	21.70	21.80	55.78
0.189	0.01	0.10	19.70	19.81	54.08
0.240	0.02	0.10	15.50	15.62	52.10
0.314	0.04	0.10	13.70	13.84	49.86
0.873	0.09	0.10	6.50	6.69	46.00
23.127	0.37	0.50	34.30	35.18	50.00

Remarks :

1. “ * ” means that this data is the worst emission level.



RADIATED EMISSION DATA

Date of Test : June 1, 1999 EUT : LAN Router
 Test Mode : Mode 1

Freq.	Cable Loss	Probe Factor	PreAMP	Reading Level	Measurement Horizontal	Margin	Limit	Ant	Turn
MHz	dB	dB/m	dB	dBuV	dBuV/m	dB	dBuV/m	cm	deg
150.000	2.31	10.72	0.00	8.53	21.56	8.44	30.00	396	117
175.000	2.55	9.76	0.00	3.35	15.66	14.34	30.00	396	41
200.000	2.78	9.30	0.00	11.64	23.72	6.28	30.00	396	160
250.000	3.27	12.61	0.00	7.78	23.66	13.34	37.00	396	138
300.000	3.76	13.36	0.00	8.61	25.72	11.28	37.00	396	173
325.000	3.88	13.64	0.00	5.95	23.48	13.52	37.00	396	133
500.000	4.79	17.34	0.00	3.75	25.88	11.12	37.00	343	168
600.000	5.31	18.85	0.00	1.08	25.24	11.76	37.00	343	64
862.628	6.69	20.73	0.00	3.45	30.87	6.13	37.00	99	164
895.811	6.87	20.88	0.00	2.08	29.83	7.17	37.00	99	164
*928.989	7.03	21.21	0.00	4.75	33.00	4.00	37.00	99	19

Remarks:

1. All Readings below 1GHz are Quasi-Peak, above are average value.
2. " * ", means this data is the worst emission level.
3. Emission Level = Reading Level + Antenna Factor + Cable loss



RADIATED EMISSION DATA

Date of Test : June 1, 1999 EUT : LAN Router
 Test Mode : Mode 1

Freq.	Cable	Probe	PreAMP	Reading	Measurement	Margin	Limit	Ant	Turn
MHz	Loss	Factor		Level	Vertical			cm	deg
	dB	dB/m	dB	dBuV	dBuV/m	dB	dBuV/m		
66.353	1.50	5.83	0.00	19.06	26.39	3.61	30.00	99	50
75.000	1.58	6.83	0.00	15.07	23.48	6.52	30.00	99	138
150.000	2.31	10.43	0.00	12.72	25.46	4.54	30.00	99	121
200.000	2.78	9.07	0.00	11.09	22.95	7.05	30.00	99	71
275.000	3.51	12.64	0.00	16.83	32.98	4.02	37.00	99	182
300.000	3.76	13.56	0.00	12.55	29.86	7.14	37.00	99	174
325.000	3.88	14.29	0.00	11.48	29.65	7.35	37.00	99	107
400.000	4.28	16.05	0.00	14.53	34.86	2.14	37.00	99	203
425.000	4.40	16.66	0.00	11.49	32.55	4.45	37.00	99	144
450.000	4.53	16.51	0.00	12.13	33.17	3.83	37.00	100	162
550.000	5.06	18.76	0.00	7.64	31.46	5.54	37.00	348	170
600.000	5.31	18.42	0.00	8.59	32.33	4.67	37.00	272	203
696.735	5.82	18.68	0.00	5.32	29.82	7.18	37.00	239	93
763.088	6.17	19.10	0.00	5.35	30.62	6.38	37.00	252	96
796.270	6.34	19.22	0.00	7.18	32.74	4.26	37.00	227	173
829.448	6.52	19.62	0.00	4.41	30.54	6.46	37.00	206	121
862.625	6.69	19.77	0.00	6.42	32.88	4.12	37.00	178	38
*895.790	6.87	19.88	0.00	8.02	34.77	2.23	37.00	188	102
928.972	7.03	20.22	0.00	5.55	32.80	4.20	37.00	188	171

Remarks:

1. All Readings below 1GHz are Quasi-Peak, above are average value.
2. " * ", means this data is the worst emission level.
3. Emission Level = Reading Level + Antenna Factor + Cable loss



5. EMI Reduction Method During Compliance Testing

No modification was made during testing.

