

Only for U interface

Only for DT interface

Only for U interface

Only for DT interface

合勤科技股份有限公司

TITLE: P200(LAN)

DRN: DWG (DWG NO)

CKD: REV: A0

APPD: SHEET 5 OF 9

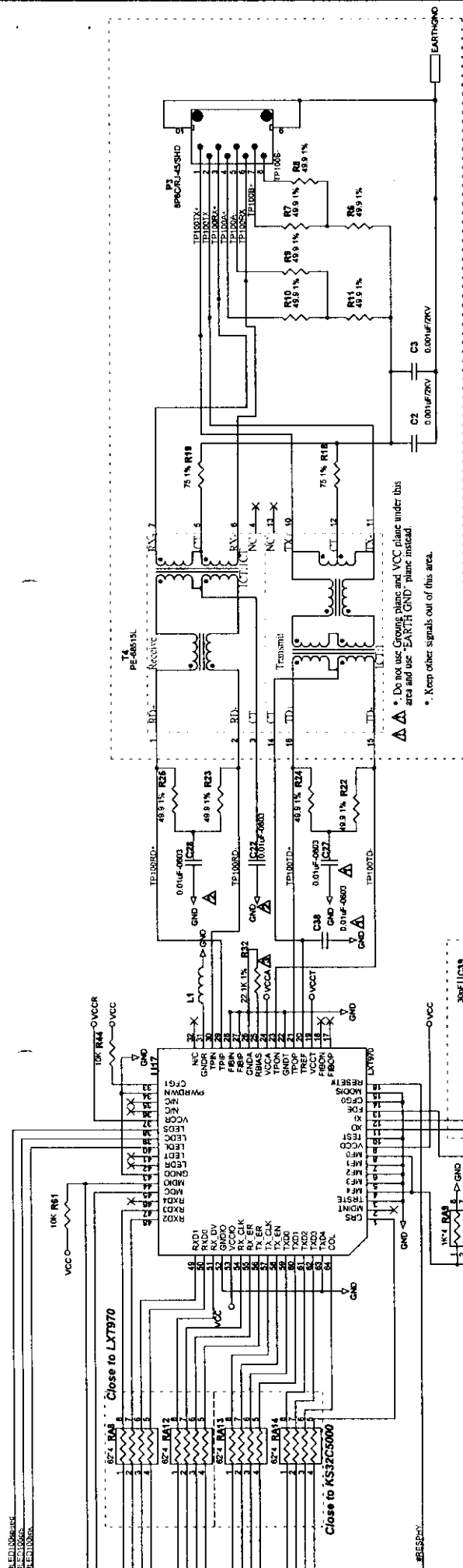
Amendment History

Date	Release	Description
09/14/1999	A0	Sample Run Release

Section CPU & buffers

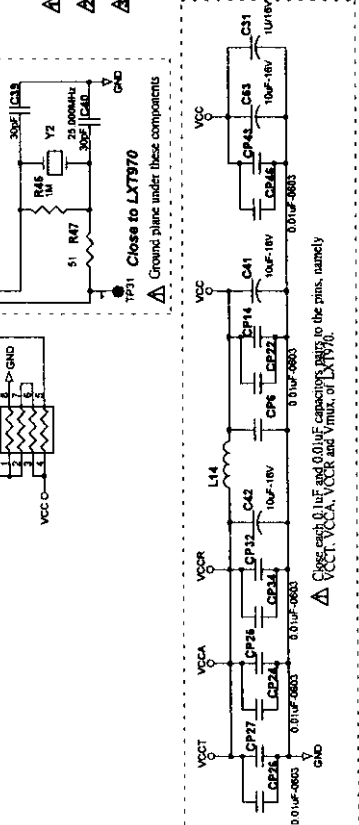
Size	Document Number	Rev
Cup:R200x.dsn		A0

Date: Friday, June 25, 1999 Sheet 15 of 9



- * Keep the LXT970, magnetics, and R145 connector as close together as possible.
- * Route the transmit and receive pairs differentially and keep them as short as possible, e.g.
 - (1) TP100TD+ & TP100TD-
 - (2) TP100RD+ & TP100RD-
 - (3) TP100TX+ & TP100TX-
 - (4) TP100RX+ & TP100RX-
 - (5) TP100T+ & TP100T-
 - (6) TP100R+ & TP100R-
 - (7) TP100A+ & TP100A-
 - (8) TP100B+ & TP100B-
- * Route traces over an unbroken ground plane. Do not route over breaks in the ground plane.
- * Provide shielding by placing a ground plane under TP0P and TP0N and the magnetics. Place the shielding ground plane two to three layers away to minimize shunt capacitance between the traces and the ground plane.

- △ Ground close to pin 22 GNDT of LXT970
- △ Ground close to pin 31 GNDR of LXT970
- △ Resistor 22.1K 1% close to pin 25 & 26 of LXT970 and do not run any signals under the resistor.
- △ Do not use Ground plane and VCC plane under this area and use "EARTH GND" plane instead.
- * Keep other signals out of this area.



△ Place 0.01µF and 0.01µF capacitors (C13, C14, C15, C16, C17, C18, C19, C20, C21, C22, C23, C24, C25, C26, C27, C28, C29, C30, C31, C32, C33, C34, C35, C36, C37, C38, C39, C40, C41, C42, C43, C44, C45, C46, C47, C48, C49, C50, C51, C52, C53, C54, C55, C56, C57, C58, C59, C60, C61, C62, C63, C64, C65, C66, C67, C68, C69, C70, C71, C72, C73, C74, C75, C76, C77, C78, C79, C80, C81, C82, C83, C84, C85, C86, C87, C88, C89, C90, C91, C92, C93, C94, C95, C96, C97, C98, C99, C100) to the pins, namely VCC, VCCA, VCCR and Vmxt. of LXT970.

11Mbps

合勤科技股份有限公司

TITLE: P200(Phone Line)

DRN: DWG (DWG NO)

CKD: REV: A0

APPD: SHEET OF

Amendment History

Date	Release	Description
09/14/1998	A0	Sample Run Release

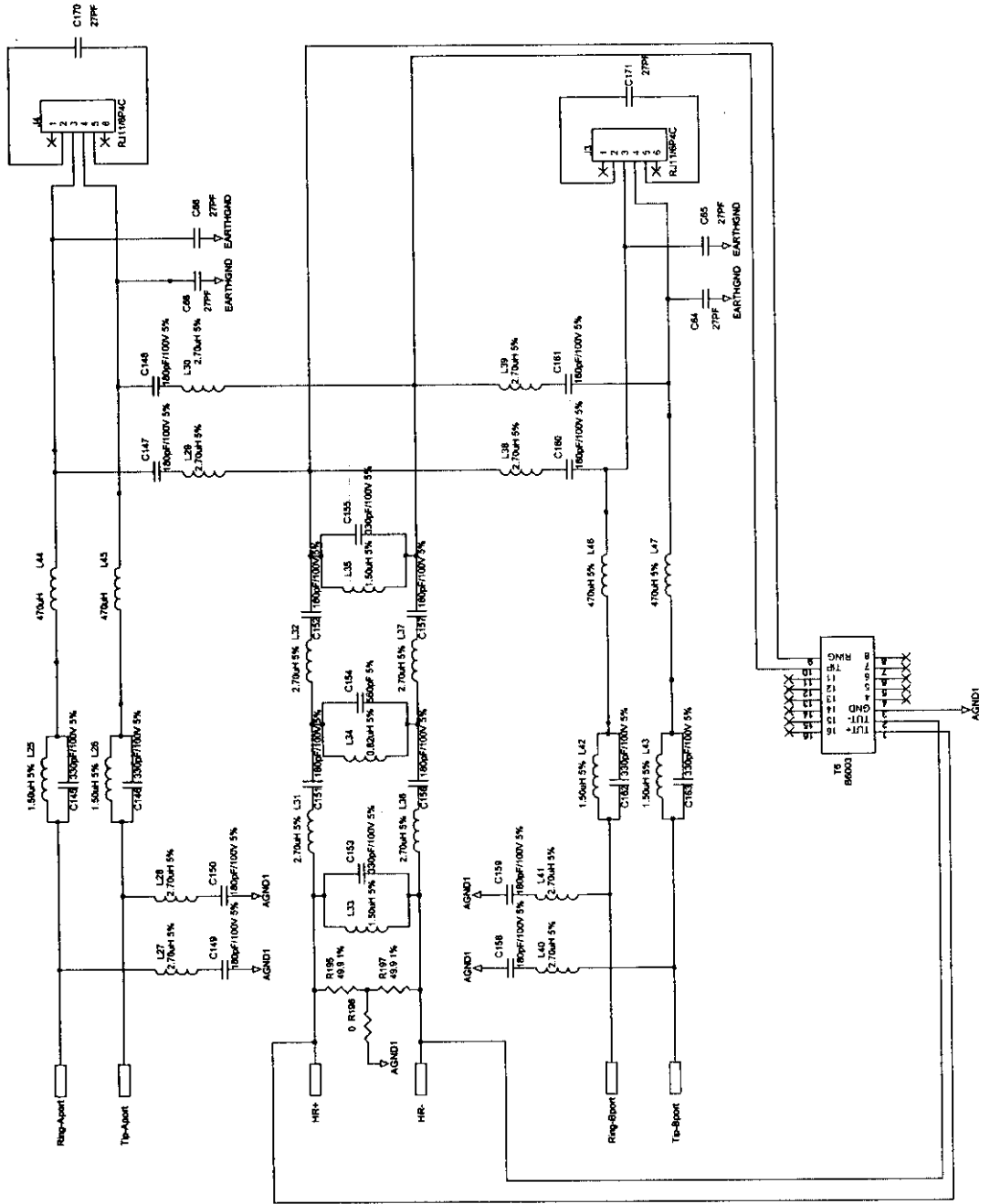
Section CPU & buffers

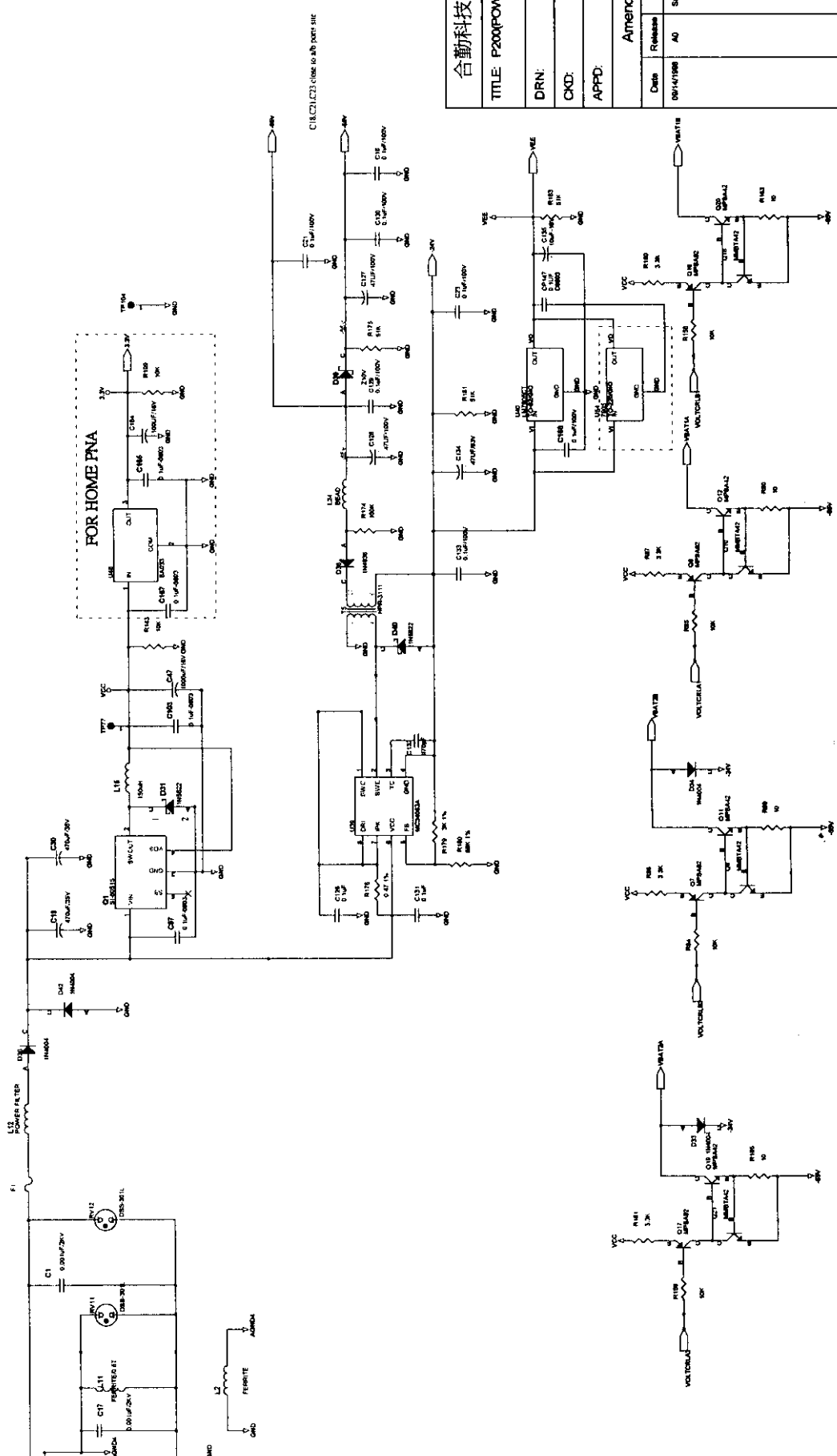
Size Document Number

C P200x.dsn

Date: Friday, June 25, 1999

Sheet 15 of 9





合勤科技股份有限公司		
TITLE: P200(POWER)		
DRN:	DWG (DWG NO)	
CKD:	REV: A0	
APPD:	SHEET OF	
Amendment History		
Date	Release	Description
08/14/98	A0	Sample Run Release

Section: CPU & buffers	
Size:	Document Number
Cup: 400x den	A0
Date:	Friday, June 25, 1999
Sheet:	15 of 9

台勤科技股份有限公司

TITLE: P200(CPU)

DRN: DWG (DWG NO)

CKD: REV: A0

APPD: SHEET 1 OF 9

Amendment History

Date	Release	Description
08/14/1998	A0	Sample Run Release

Section CPU & buffers

Size	Document Number	Rev
C	P200x.dsn	A0

Date: Friday, June 25, 1999 Sheet 15 of 9

