



1.2 DESCRIPTION OF PERIPHERALS

(1) PC

MODEL NUMBER : POWERMATE 486SX/25e
SERIAL NUMBER : -----
MANUFACTURER : NEC CORP.
F.C.C. ID : B7ZA72
POWER CORD : Unshielded , Detachable , 1.8m

(2) MONITOR

MODEL NUMBER : JC-1404HMA
SERIAL NUMBER : 08D00346
MANUFACTURER : NEC CORP.
F.C.C. ID : A3D5YRJC-1404HMA
POWER CORD : Unshielded , Detachable , 1.8m

(3) KEYBOARD

PRODUCT NUMBER : RT101
SERIAL NUMBER : 61030863
MANUFACTURER : NEC CORP.
F.C.C. ID : AQ6ZG-RT687XT
POWER CABLE : +5VDC (From PC)

(4) PRINTER

MODEL NUMBER : 5152-002
SERIAL NUMBER : 0754365
MANUFACTURER : IBM CORP.
F.C.C. ID : BKM9A85152002

(5) WAN Bridge/Router

MODEL NUMBER : Prestige 153X
SERIAL NUMBER : R2P00I000ZZ
MANUFACTURER : ZyXEL Communications Corp.
FCC ID : I88PRESTIGE153X
POWER SOURCE : 16VAC(from Power Adapter)



(6) PSTN HUB Router

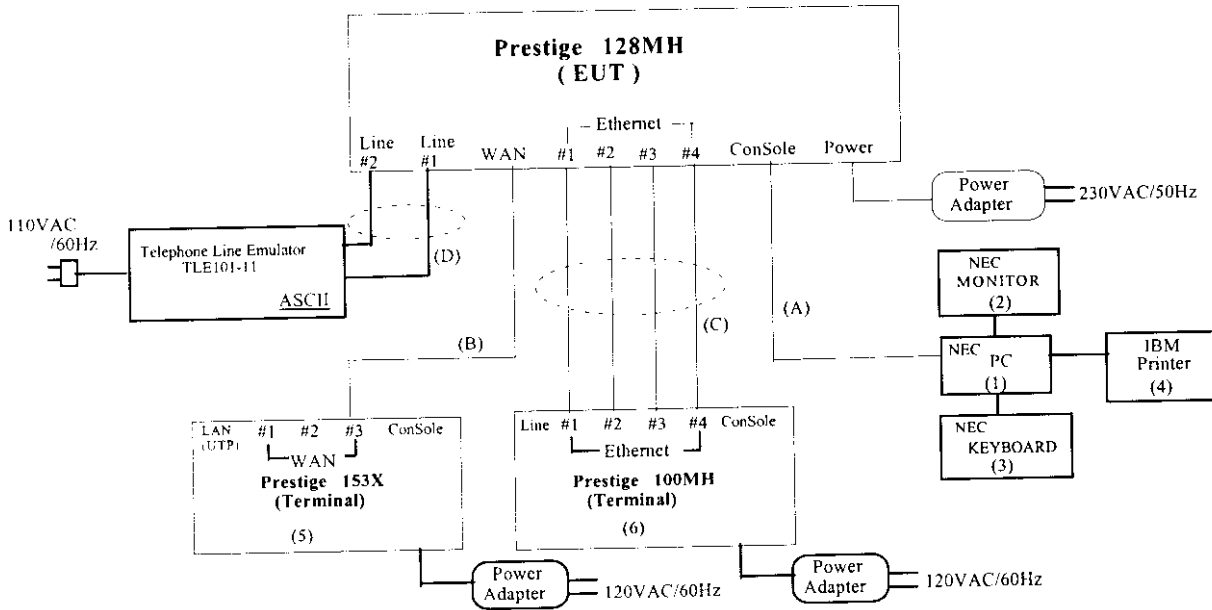
MODEL NUMBER : Prestige 100MH
SERIAL NUMBER : R2P00I000ZZ
MANUFACTURER : ZyXEL Communications Corp.
FCC ID : I88PRESTIGE100MH
POWER SOURCE : 16VAC(from Power Adapter)

(7) Cable

NO.	TYPE	Connector	Shielded	Length
A	D Type	RS232, metal	No	1.5m
B	WAN cable	RJ-45, plastic	No	10m
C	LAN cable	RJ-45, plastic	No	10m
D	Line cable	RJ-45, plastic	No	10m



1.3 EUT & PERIPHERALS SETUP DIAGRAM



The indicated numbers (1)(2)(A)(B)---please refer to item 1.2.