



WHA YU INDUSTRIAL CO., LTD.(HEAD OFFICE)  
 DONGGUAN AEON TECH CO.,LTD.(CHINA)  
 SUZHOU AEON TECH CO.,LTD.(CHINA)  
 AEON TECH (SHANGHAI) CO.,LTD(CHINA)  
 DONGGUAN PARNER TECH CO.,LTD.(CHINA)



## SPECIFICATION FOR APPROVAL

**CUSTOMER:** 合勤科技股份有限公司

**PART NAME:** RF PCB Antenna Assembly

**PART NO:** 67-016-087001B

**REVISION:**

**W. Y. P/NO:** C034-510726-A

**REV:** XI

	MANUFACTURER SIGNATURE	CUSTOMER SIGNATURE
APPROVED BY :		
DATE :		

### WHA YU GROUP

WHA YU INDUSTRIAL CO., LTD.(HEAD OFFICE)

譚裕實業股份有限公司

Address: No. 326,Sec. 2,Kung Tao 5 Road, Hsin Chu City, Taiwan, R.O.C.

Tel:+886-3-5714225(REP.) Fax:+ 886-3-5713853 . + 886-3-5723600

DONGGUAN AEON TECH CO.,LTD.(CHINA)

東莞台霖電子通訊有限公司

Address:Hupan Industrial District,Tai Ling Shan Town,Dong Guan City,Guangdong,China

Tel:+86-769-85655858 Fax:+86-769-85655258

SUZHOU AEON TECH CO.,LTD(CHINA)

蘇州華廣電通有限公司

Address:Limin North Road, LiLi Town,LiLi Industrial Park,LinHu Economic Zone

Wujiang City,Jiangsu Province,China

Tel:+86-512-63627980 Fax:+86-512-63627981

AEON TECH (SHANGHAI) CO.,LTD(CHINA)

普翔電子貿易(上海)有限公司

Address:Flat 501,5F,Build 27, NO.68,Guiqing Road, Huhui District, Shanghai,China

Tel:+86-21-64959151 Fax:+86-21-64959059

DONGGUAN PARNER TECH CO.,LTD.(CHINA)

東莞倍能電子有限公司

Address:Hupan Industrial District, Shida Road, Tai Ling Shan Town,

Dong Guan City, Guangdong, China

Tel:+86-769-81662366 Fax:+86-769-81602681

# *Contents*

<i>Item</i>	<i>Description</i>	<i>Page</i>
1. ....	天線規格表	..... 1
2. ....	成品圖	..... 2
3. ....	測試報告	..... 3~5

# RF PCB Antenna Assembly

## Specification

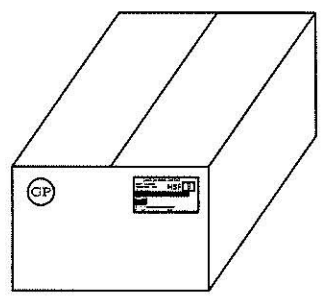
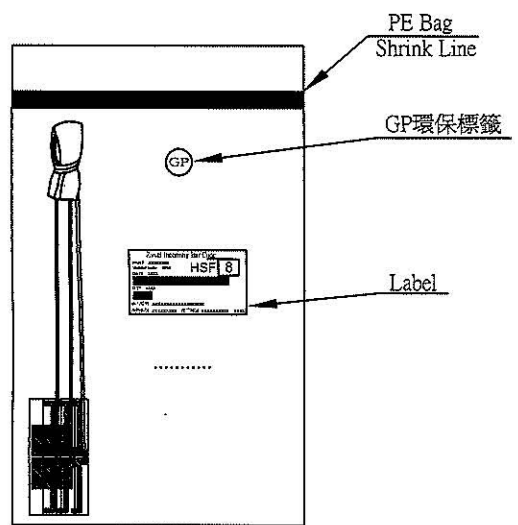
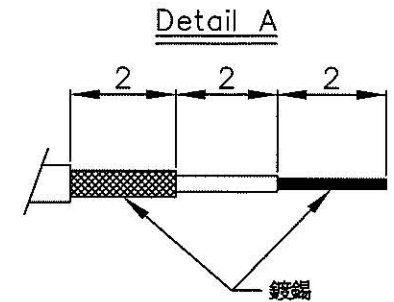
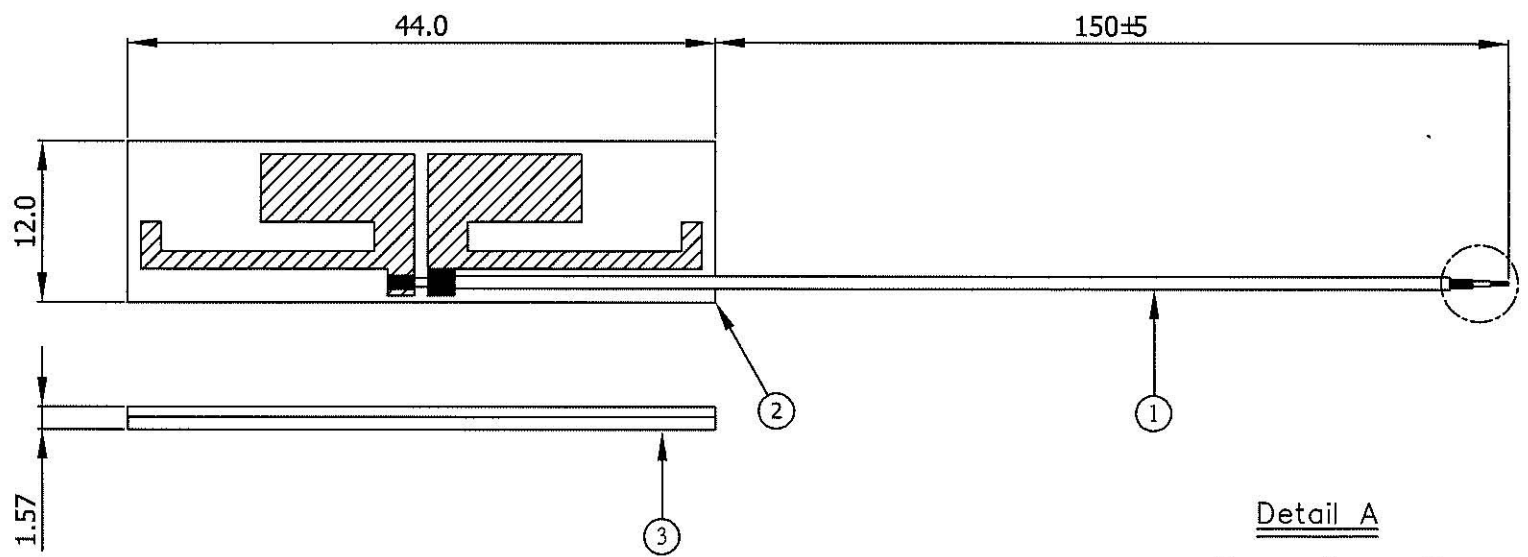
### 1. Electrical Properties :

- 1.1 Frequency Range.....2.4GHz ~ 2.5GHz
- 1.2 Impedance .....50 Nominal
- 1.3 VSWR ..... 2.7:1 Max.
- 1.4 Return Loss..... -7 dB Max.
- 1.5 Radiation ..... Omni-directional
- 1.6 Gain(peak)..... 1.4dBi (excluding cable loss )
- 1.7 Cable Loss..... 0.6dB Max.
- 1.8 Polarization..... Linear ; Vertical
- 1.9 Admitted Power..... 1W
- 1.10 Cable..... 1.13 Coaxial Cable

### 2. Physical Properties :

- 2.1 Operating Temp. .... -20 ~ +65
- 2.2 Storage Temp. .... -30 ~ +75

REV	DATE	DESCRIPTION
X1	07/15-09	New Issue



GP標籤貼於客戶料號左上角共2PCS  
 外箱條碼標籤貼於右上角1PCS  
 Carton : 320\*320\*200 mm

NO	DESCRIPTION	Q'TY	REMARK
3	雙面膠 3M 4032 雙面背膠	1	
2	Cable $\phi 1.13$ Coaxial Cable 50 $\Omega$	1	
1	PCB FR4;NANYA NP-140, 31mil, 1/2oz.	1	

Packing: 20pcs/bag

CUSTOMER'S SIGNATURE

XXX.	±3.0	APPROVED	<i>[Signature]</i>
XX.	±2.0	CHECKED	<i>[Signature]</i>
X.	±1.0	DRAWING	<i>[Signature]</i>
.X	±0.2		
.XX	±0.1		

CUSTOMER: 合勤		
PART NO :		
PARTNAME: PCB Antenna Assembly		
W.Y P/NO : C034-510726-A		
REV	UNIT	FILE : 0907-0024
X1	m/m	SHEET : 1/1

**M.gear** Wha Yu Group

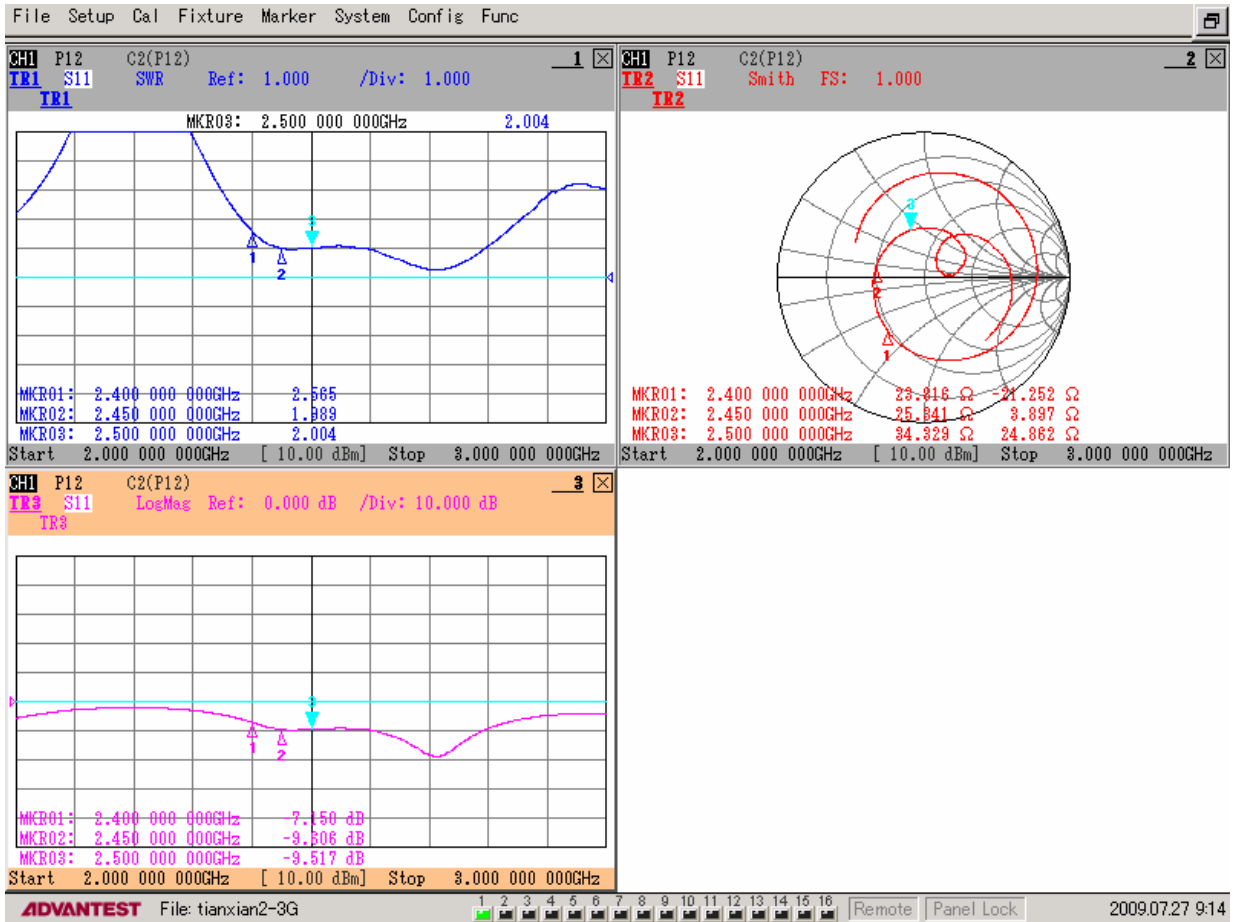
THIS DRAWING, AND ITS INHERANT DESIGN CONCEPTS, ARE THE PROPERTY OF WHA YU AND AS SUCH MAY NOT BE COPIED, REPRODUCED, OR GIVEN TO THIRD PARTIES WITHOUT THE WRITTEN CONSENT OF WHA YU.

## RF PCB Antenna Assembly

P/NO: C034-510726-A

SPEC: 2.4~2.5GHz

NO: 0907-0024



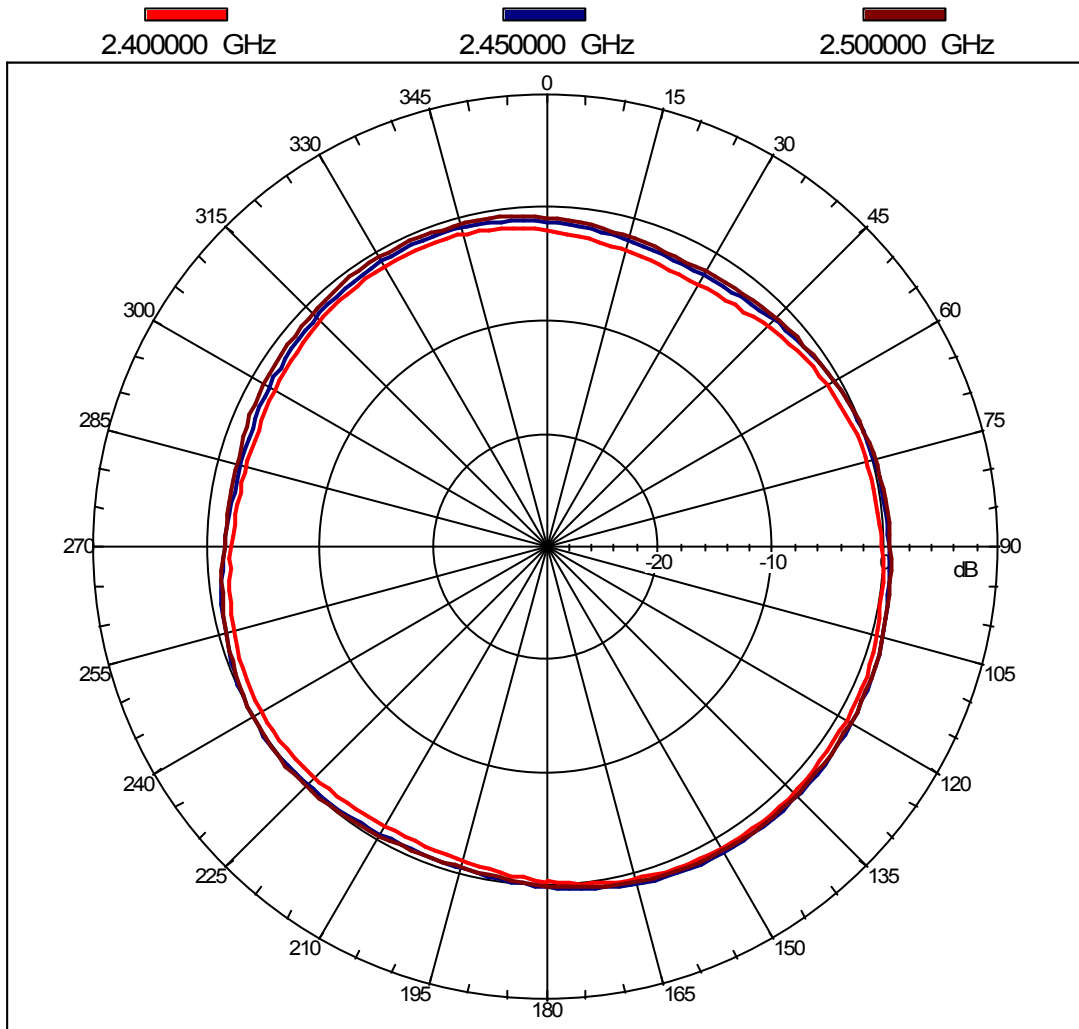
RF PCB Antenna Assembly

P/NO:C034-510726-A

SPEC:2.4-2.5GHz

NO:0907-0024

Far-field amplitude of C034-510726-A V.nsi



RF PCB Antenna Assembly

P/NO:C034-510726-A

SPEC:2.4-2.5GHz

NO:0907-0024

Far-field amplitude of C034-510726-A H.nsi

