



WHA YU INDUSTRIAL CO., LTD.(HEAD OFFICE)
 DONGGUAN AEON TECH CO.,LTD.(CHINA)
 SUZHOU AEON TECH CO.,LTD.(CHINA)
 AEON TECH (SHANGHAI) CO.,LTD(CHINA)
 DONGGUAN PARNER TECH CO.,LTD.(CHINA)



SPECIFICATION FOR APPROVAL

CUSTOMER: 合勤科技股份有限公司

PART NAME: RF Antenna Cable Assembly

PART NO: 65-031-240107B

REVISION:

W. Y. P/NO: C034-510720-A

REV: XI

	MANUFACTURER SIGNATURE	CUSTOMER SIGNATURE
APPROVED BY :		
DATE :		

WHA YU GROUP

WHA YU INDUSTRIAL CO., LTD.(HEAD OFFICE)

譚裕實業股份有限公司

Address: No. 326,Sec. 2,Kung Tao 5 Road, Hsin Chu City, Taiwan, R.O.C.

Tel:+886-3-5714225(REP.) Fax:+ 886-3-5713853 . + 886-3-5723600

DONGGUAN AEON TECH CO.,LTD.(CHINA)

東莞台霖電子通訊有限公司

Address:Hupan Industrial District,Tai Ling Shan Town,Dong Guan City,Guangdong,China

Tel:+86-769-85655858 Fax:+86-769-85655258

SUZHOU AEON TECH CO.,LTD(CHINA)

蘇州華廣電通有限公司

Address:Limin North Road, LiLi Town,LiLi Industrial Park,LinHu Economic Zone

Wujiang City,Jiangsu Province,China

Tel:+86-512-63627980 Fax:+86-512-63627981

AEON TECH (SHANGHAI) CO.,LTD(CHINA)

普翔電子貿易(上海)有限公司

Address:Flat 501,5F,Build 27, NO.68,Guiqing Road, Huhui District, Shanghai,China

Tel:+86-21-64959151 Fax:+86-21-64959059

DONGGUAN PARNER TECH CO.,LTD.(CHINA)

東莞倍能電子有限公司

Address:Hupan Industrial District, Shida Road, Tai Ling Shan Town,

Dong Guan City, Guangdong, China

Tel:+86-769-81662366 Fax:+86-769-81602681

Contents

<i>Item</i>	<i>Description</i>	<i>Page</i>
1.	天線規格表 1
2.	成品圖 2
3.	測試報告 3~5

RF Antenna Cable Assembly

Specification

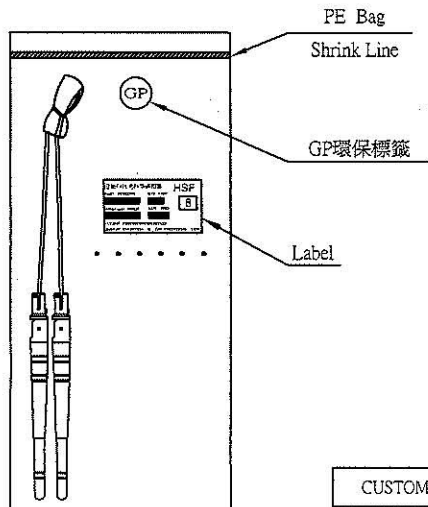
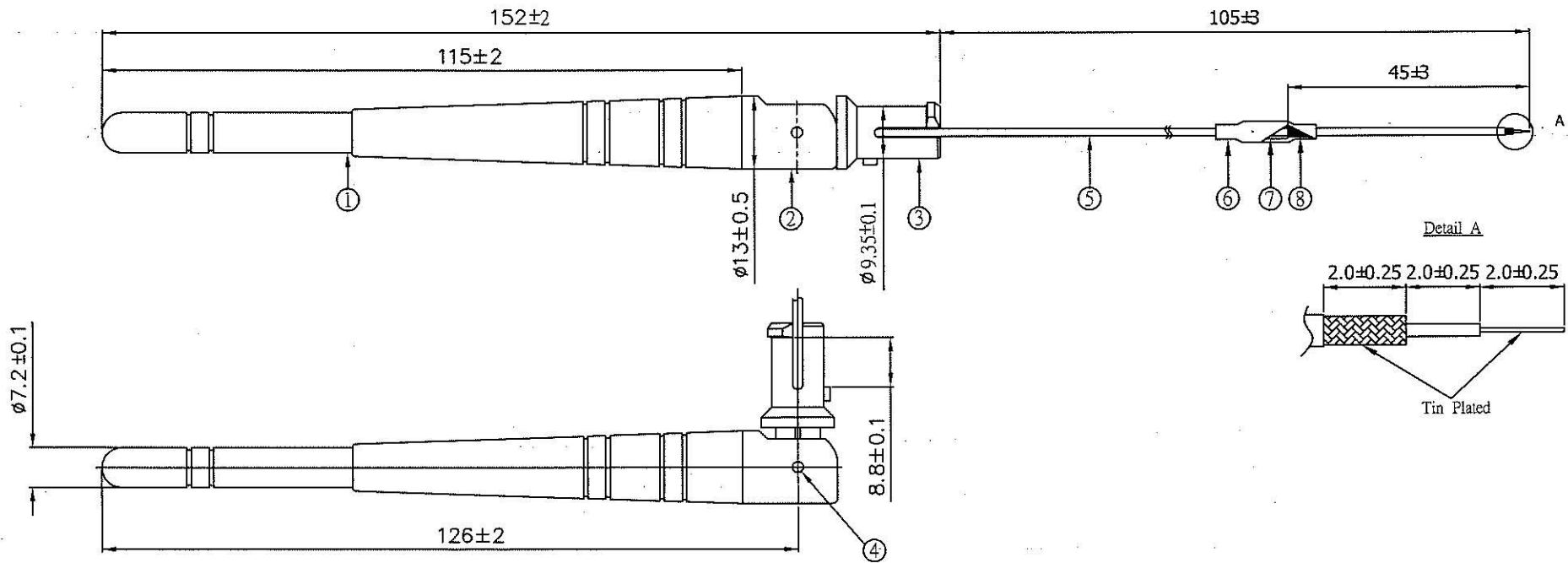
1. Electrical Properties :

- 1.1 Frequency Range.....2.4GHz ~ 2.5GHz
- 1.2 Impedance50 Nominal
- 1.3 VSWR 2.0:1 Max.
- 1.4 Return Loss..... -10 dB Max.
- 1.5 Radiation Omni-directional
- 1.6 Gain(peak)..... 2.0dBi (excluding cable loss)
- 1.7 Cable Loss..... 0.5dB Max.
- 1.8 Polarization..... Linear ; Vertical
- 1.9 Admitted Power..... 1W
- 1.10 Cable..... 1.13 Coaxial Cable
- 1.11 Core.....RH4*10*2 (mm)

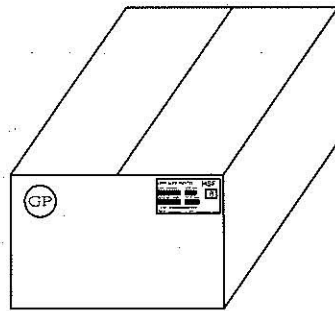
2. Physical Properties :

- 2.1 Antenna Body..... TPE
- 2.2 Antenna Base..... PC
- 2.3 Antenna Base..... PC
- 2.4 Operating Temp. -20 ~ +65
- 2.5 Storage Temp. -30 ~ +75
- 2.6 Color White

REV	DATE	DESCRIPTION
X1	04/17/09	New Issue



Packing : 10 pcs/bag



GP標籤貼於外箱兩側麥左上角2PCS
外箱條碼標籤貼於右上角1PCS
Carton : 400*330*220 mm

NO	DESCRIPTION	QTY	REMARK
8	H.S Tube	1	Heat Shrink Tube
7	Core	1	RH4*10*2
6	H.S Tube	2	Heat Shrink Tube
5	Cable	1	Φ 1.13 Coaxial Cable
4	Rivet	2	POM ; Color : White
3	Antenna Base	1	PC ; Color : White
2	Antenna Base	1	PC ; Color : White
1	Antenna Cap	1	TPE ; Color : White

CUSTOMER'S SIGNATURE	XX. ±5	APPROVED	CUSTOMER: 合勤	
	X. ±3.0	CHECKED		PART NO : 65-031-240107B
	.X ±1.0			PARTNAME: RF Antenna Cable Assembly
	.XX ±0.5			W.Y P/NO : C034-510720-A
	.XXX ±0.1	DRAWING		REV UNIT FILE 0904-0017
			X1 m/m SHEET : 1/1	

M.gear Wha Yu Group

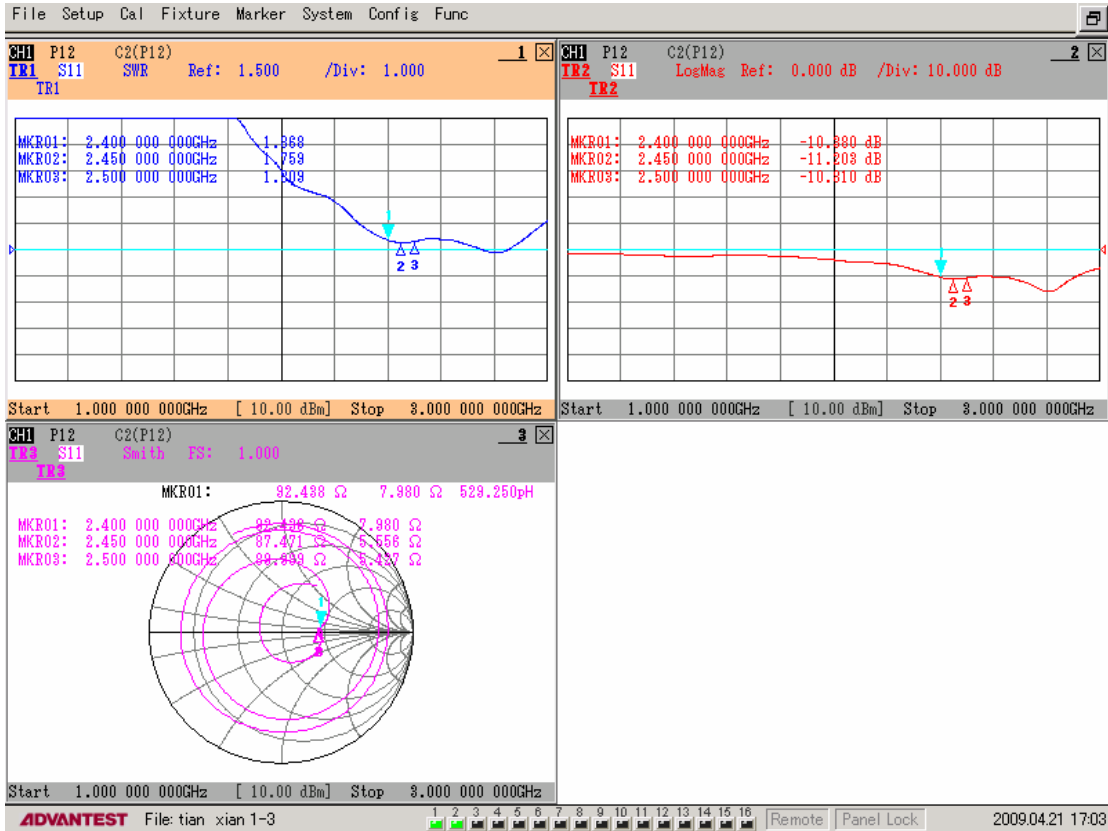
THIS DRAWING, AND ITS INHERANT DESIGN CONCEPTS, ARE THE PROPERTY OF WHA YU AND AS SUCH MAY NOT BE COPIED, REPRODUCED, OR GIVEN TO THIRD PARTIES WITHOUT THE WRITTEN CONSENT OF WHA YU.

RF Antenna Cable Assembly

P/NO : C034-510720-A

SPEC : 2.4~2.5GHz

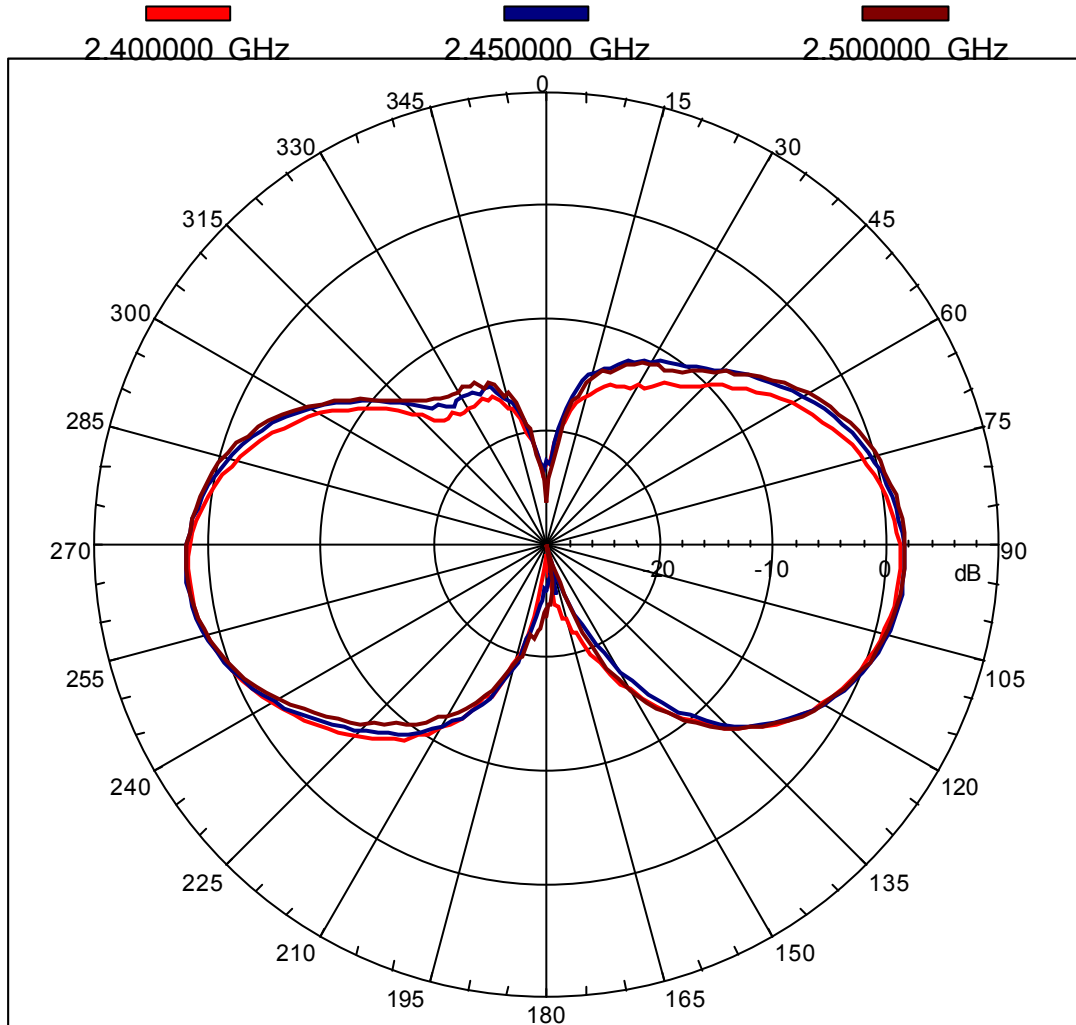
NO:0904-0017



RF Antenna Cable Assembly

P/NO:C034-510720-A SPEC:2.4-2.5GHz NO:0904-0017

Far-field amplitude of C034-510720-A H01.nsi



RF Antenna Cable Assembly

P/NO:C034-510720-A SPEC:2.4-2.5GHz NO:0904-0017

Far-field amplitude of C034-510720-A V.nsi

