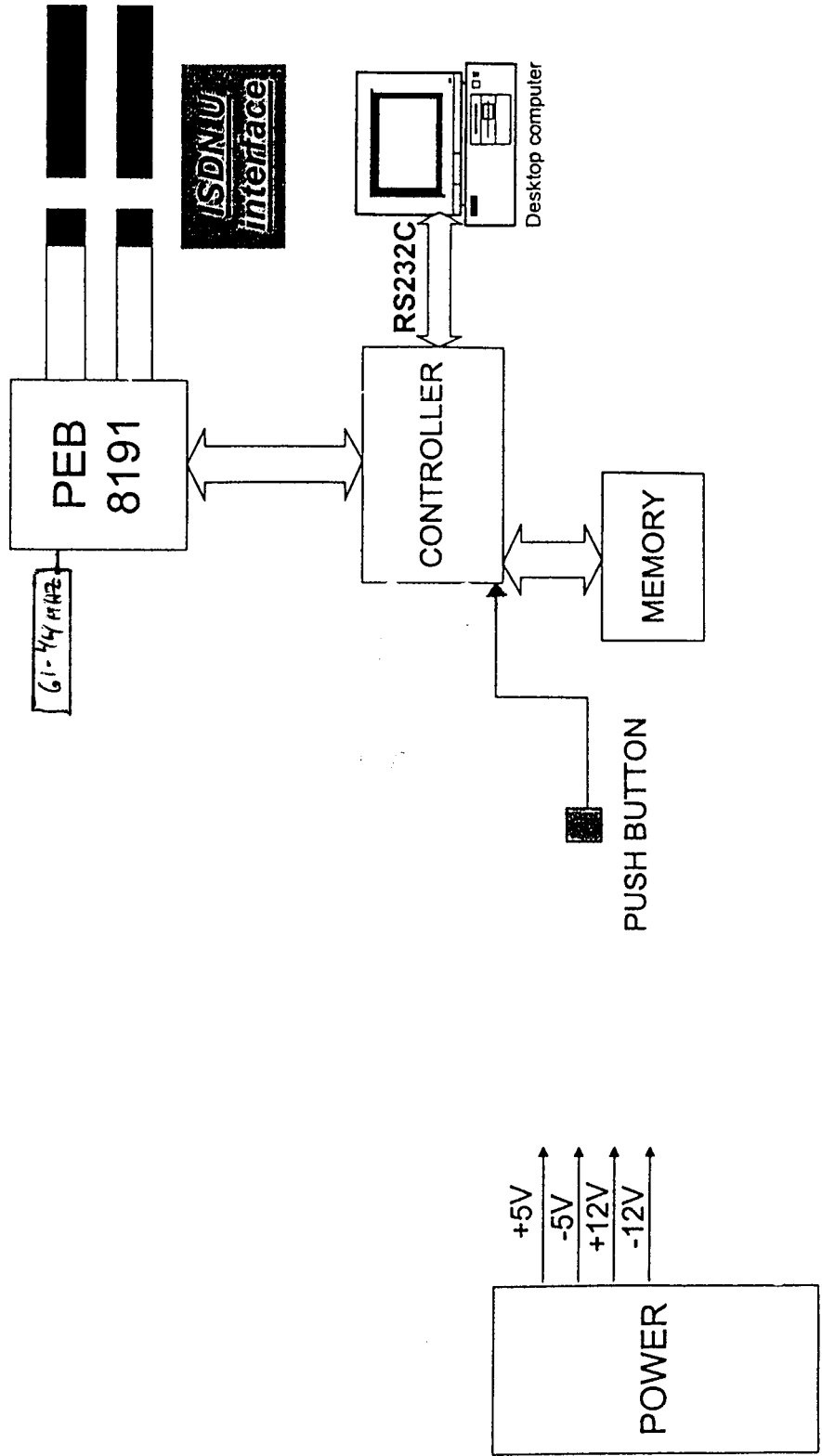
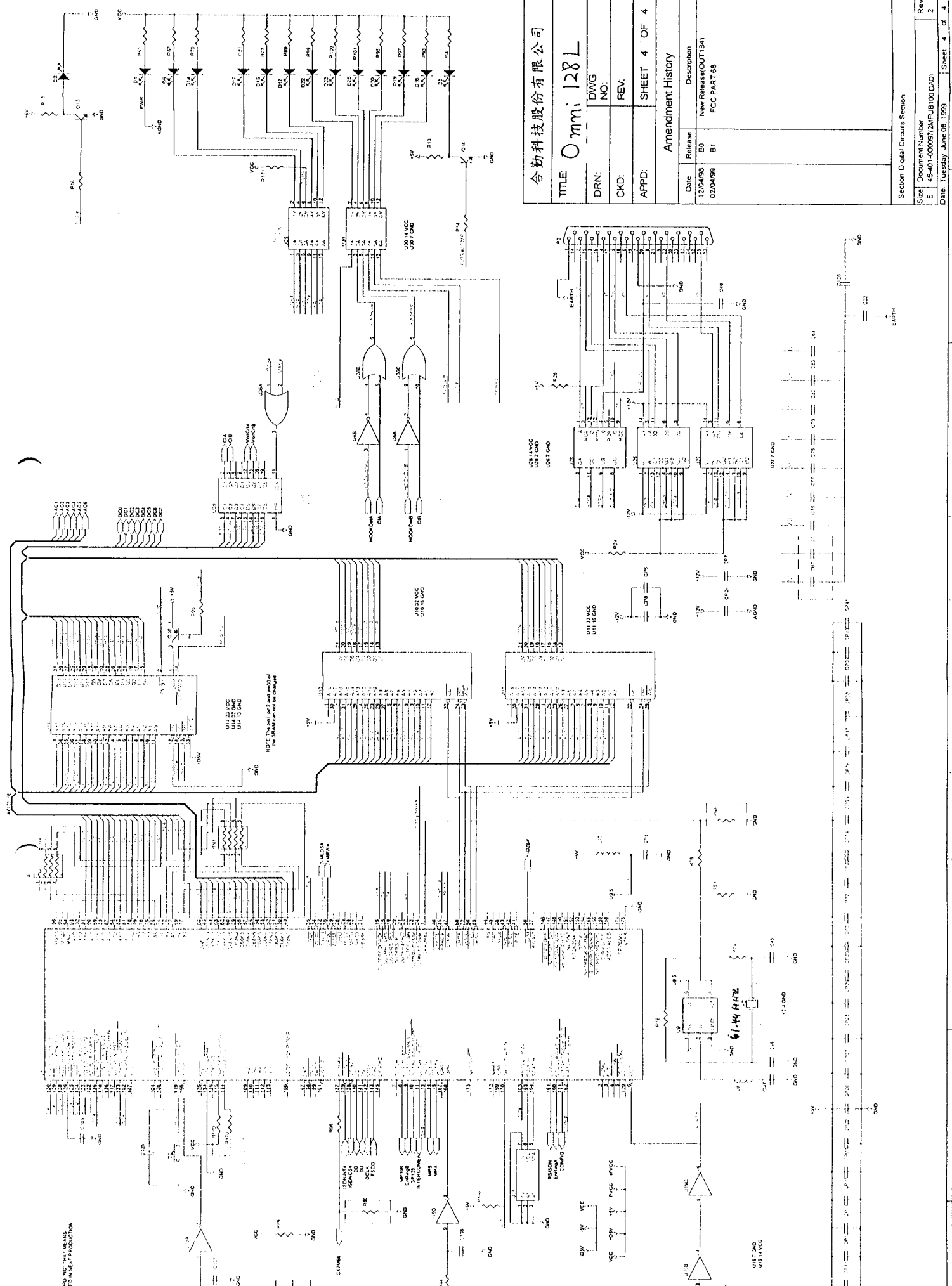


Omni 128L
Block Diagram

FCC ID: I88 OMNI128L



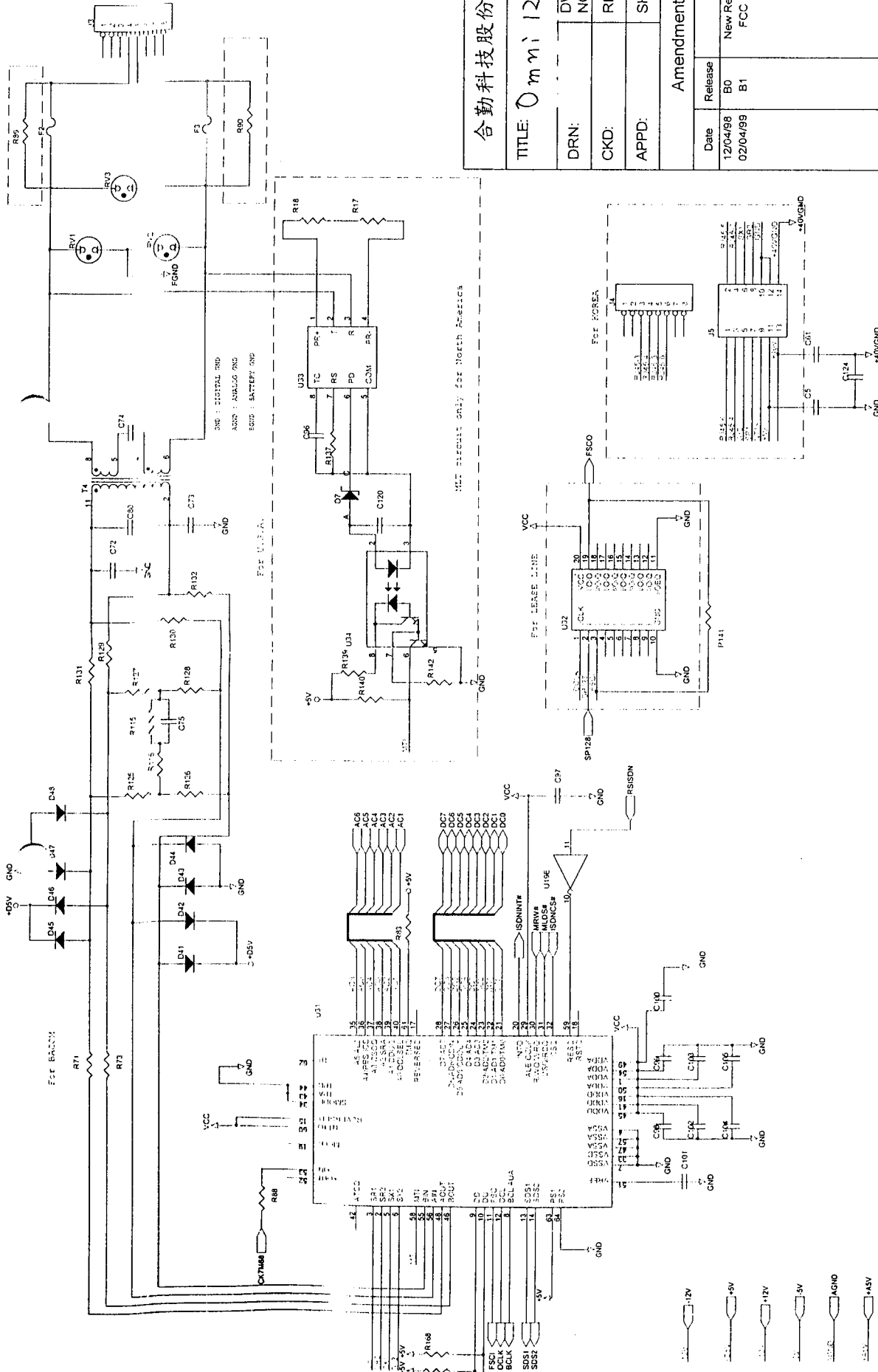


合勤科技股份有限公司		
TITLE: Omi 128L		
DRN:	DWG NO:	
CKD:	REV:	
APPD:	SHEET 4 OF 4	
Amendment History		
Date	Release	Description
12/04/98	B0	New Release(OUT184)
02/04/99	B1	FCC PART 68
Section Digital Circuits Section		
Size	Document Number	Rev
E	45-401-000097(2MFUB100,DA0)	2
Date	Released	Sheet 4 of 4
June 08, 1999		

THE MICRO AND THE MEANS
ADVANCED ANALYTICAL PRODUCTION

NOTE: The pin 1 and pin 20 of
U12, U13, and U14 are connected to
the ground plane on the top layer.

6144 H172



合勤科技股份有限公司

TITLE: *Omni 128L*

DRN: DWG NO:

KKD: REV:

APPD: SHEET 3 OF 4

Amendment History

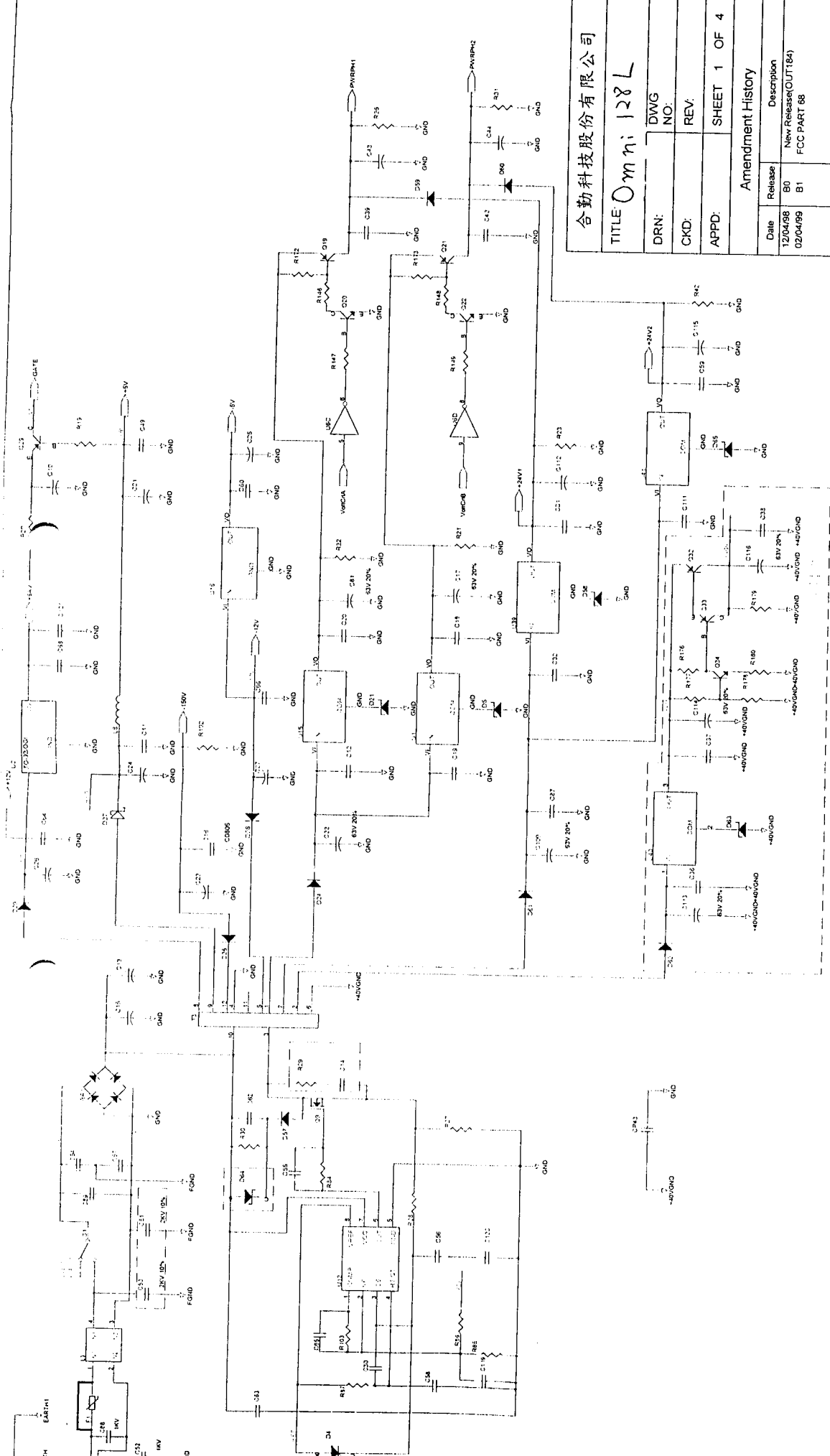
Date	Release	Description
12/04/98	B0	New Release(OUT184)
02/04/99	B1	FCC PART 68

Section U-Interface Circuits Section

Size	Document Number	Rev
C	45-401-000097(2MFUB100 DA0)	2

Date: Thursday, July 15, 1999

Sheet 3 of 4



合勤科技股份有限公司	
TITLE <i>Omni 128L</i>	
DRN:	DWG NO:
CKD:	REV:
APPD:	SHEET 1 OF 4
Amendment History	
Date	Description
12/04/98	New Release(OUT184)
02/04/99	B0 FCC PART 68
Section Power Supply Circuit Section	
Size	Document Number
D	45-401-00097(2MFUB100.DWG)
Date	Wednesday, August 25, 1999
Sheet	1 of 4

FOR W05E5