

RF Cable Assembly

Specification

1. Electrical Properties :

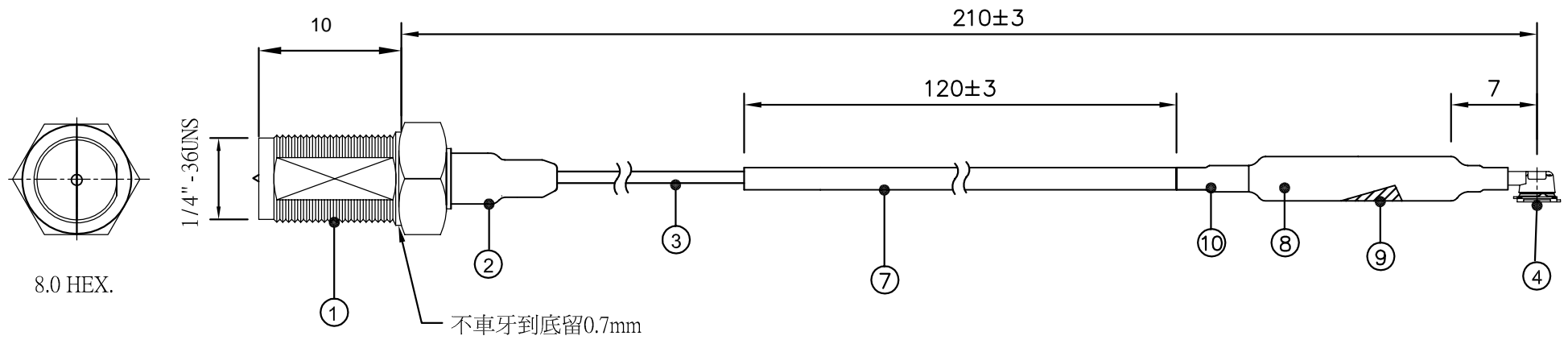
- 1.1 Frequency Range..... DC ~ 6GHz
- 1.2 Impedance 50Ω Nominal
- 1.3 Insertion Loss.....
 - 2GHz-----1.1dB
 - 3GHz-----1.4dB
 - 4GHz-----1.7dB
 - 5GHz-----1.9dB
 - 6GHz-----2.2dB
- 1.4 VSWR..... 1.5 (max)

2. Physical Properties :

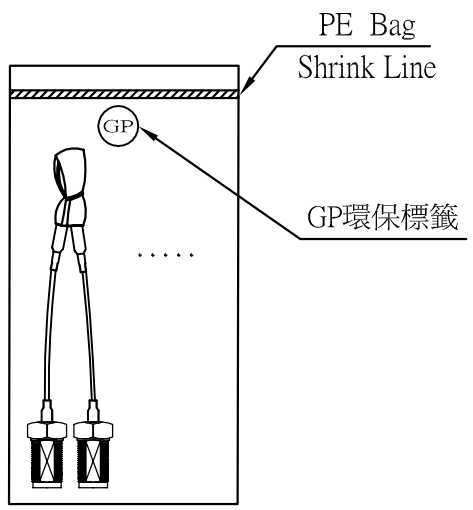
- 2.1 Cable..... φ1.13 Coaxial Cable
- 2.2 Operating Temp. -20 ~ +65
- 2.3 Storage Temp. -30 ~ +75
- 2.4 Connector..... SMA Jack Reverse
- 2.5 Connector..... HRS

CG-

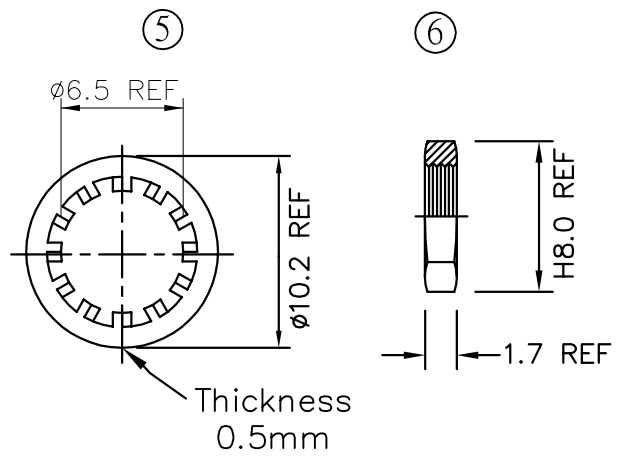
REV	DATE	DESCRIPTION
X1	9/6-2006	New Issue



不車牙到底留0.7mm



Packing : 25 pcs/bag



10	Tube	Heat Shrink Tube	1	
9	Core	RH 4*25*1.5	1	
8	Tube	Heat Shrink Tube	1	
7	Tube	Heat Shrink Tube	1	
6	Nut	Brass ; Gold Plated	1	
5	Washer	Brass ; Gold Plated	1	
4	Connector	HRS Connector	1	
3	Cable	∅1.13 Cable	1	
2	Tube	Heat Shrink Tube	1	
1	Connector	SMA Straight Jack/Reverse	1	
NO	DESCRIPTION		QTY	REMARK

CUSTOMER'S SINGATURE	XX.	±3.0	APPROVED	CUSTOMER: 合勤科技股份有限公司		
	X.	±2.0	CHECKED	PART NO : C034-510580-A		
	.X	±1.0		PARTNAME: RF Cable Assembly		
	.XX	±0.5	DRAWING	W.Y P/NO :		
	.XXX	±0.1		REV	UNIT	FILE :
				X1	mm	SHEET : 1/1


Wha Yu
 INDUSTRIAL CO.,LTD.
 譚裕實業股份有限公司
 THIS DRAWING, AND ITS INHERANT DESIGN CONCEPTS, ARE THE PROPERTY OF WHA YU AND AS SUCH MAY NOT BE COPIED, REPRODUCED, OR GIVEN TO THIRD PARTIES WITHOUT THE WRITTEN CONSENT OF WHA YU.