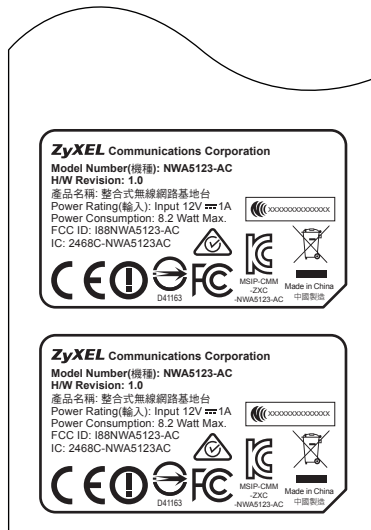


PART NUMBER BLOCK

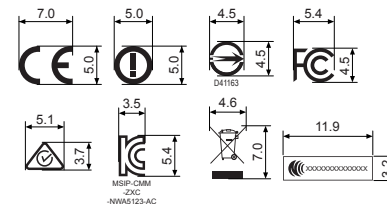
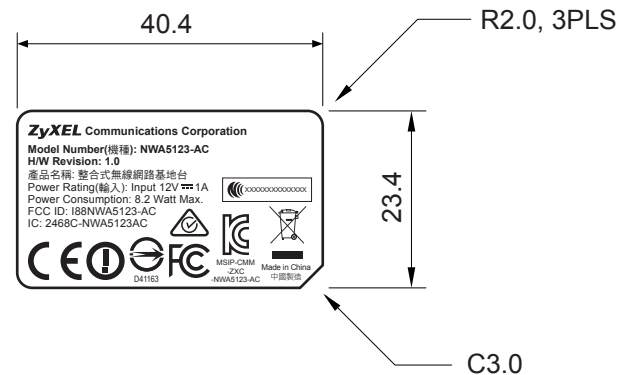
PART NUMBER	REV
4L-SAQ3Z13-003	B

REVISIONS

REV	DESCRIPTION	DATE	APPROVED
A	RELEASE TO FILE	09/19/12	SANDY CHEN
B	增加印刷內容	08/28/15	SANDY CHEN



出標方向
↓



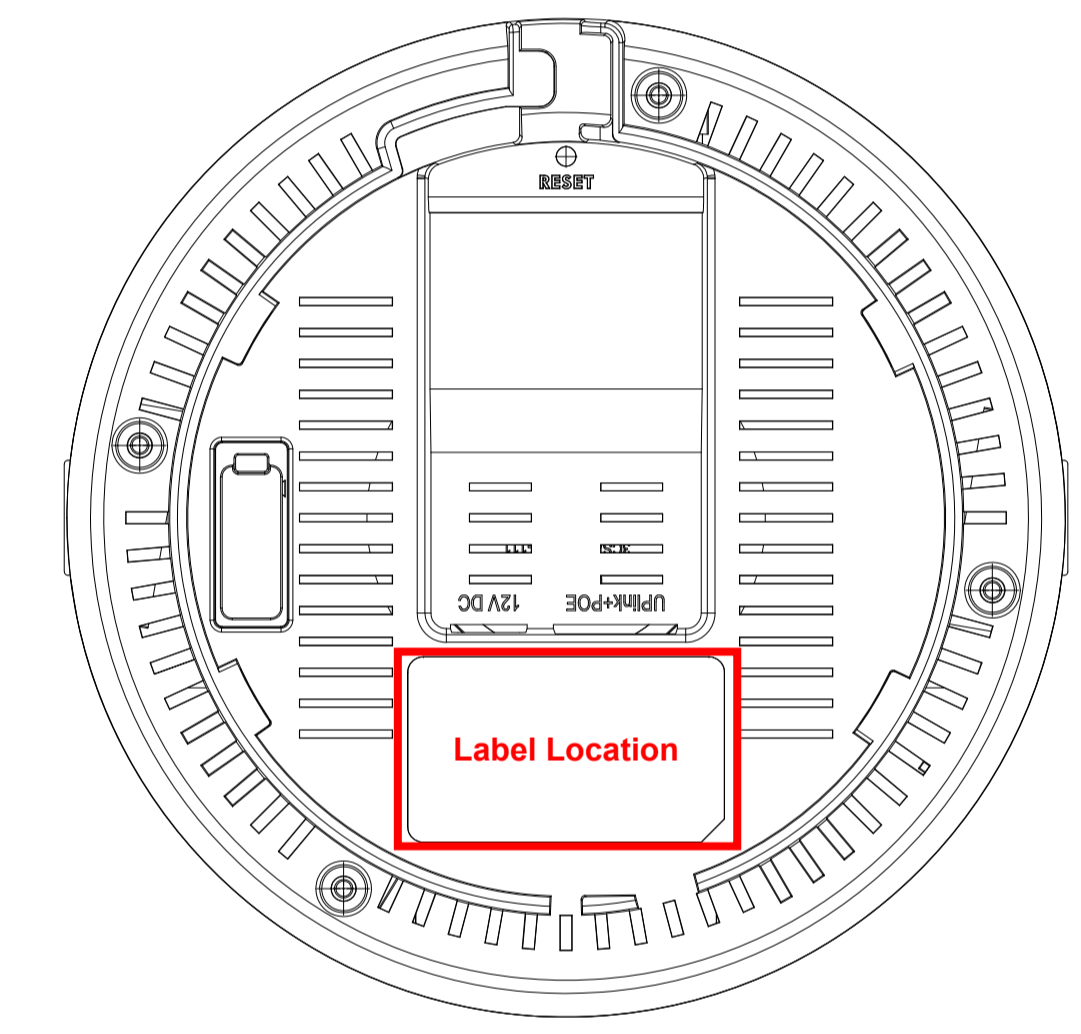
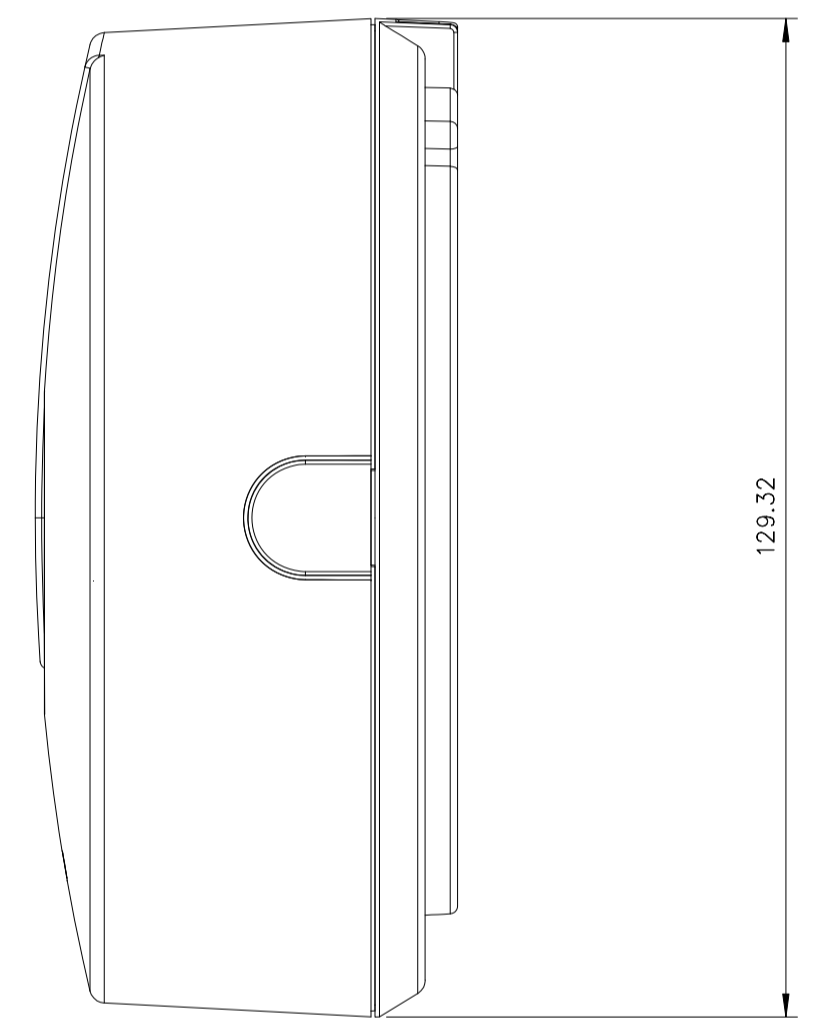
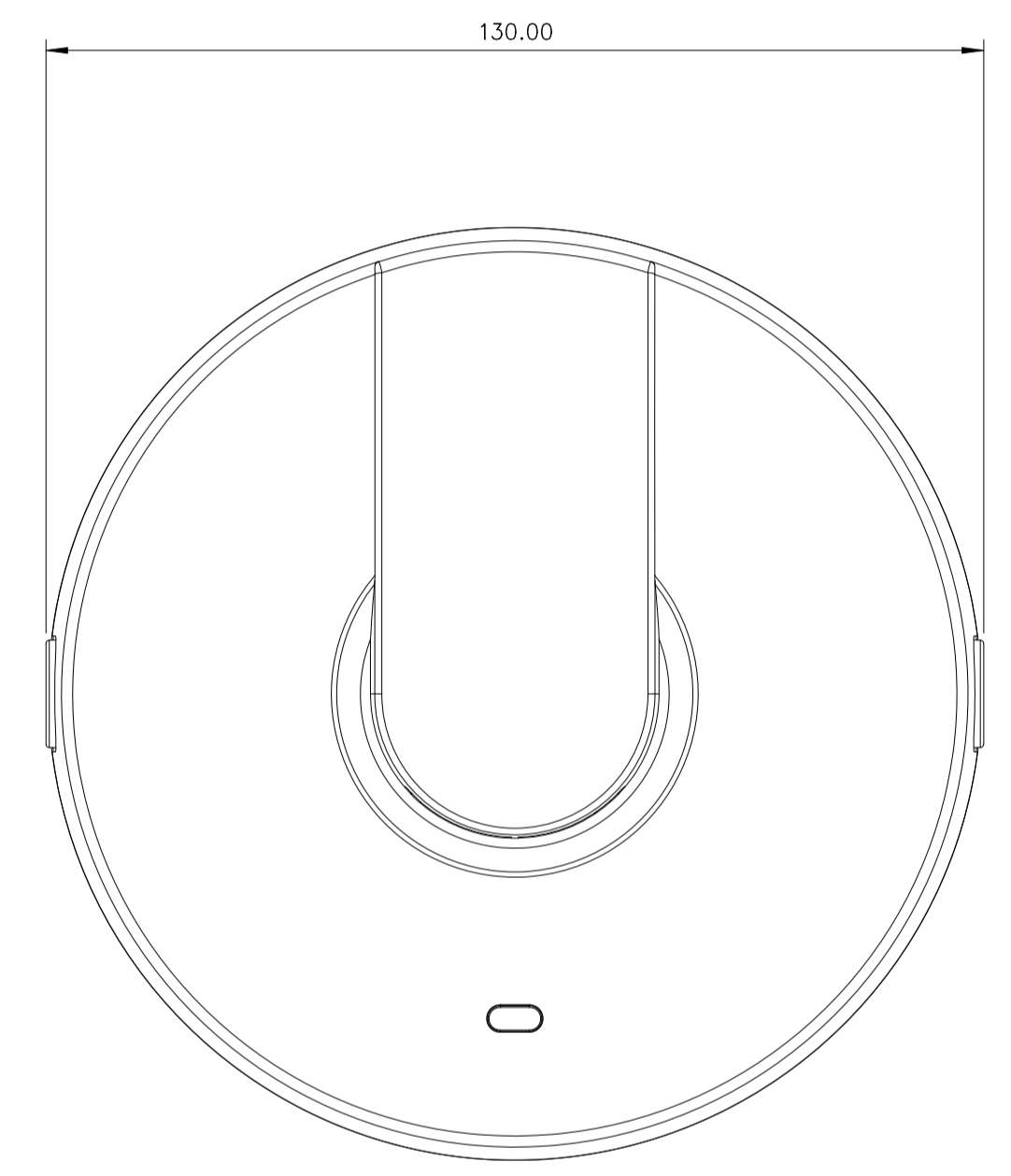
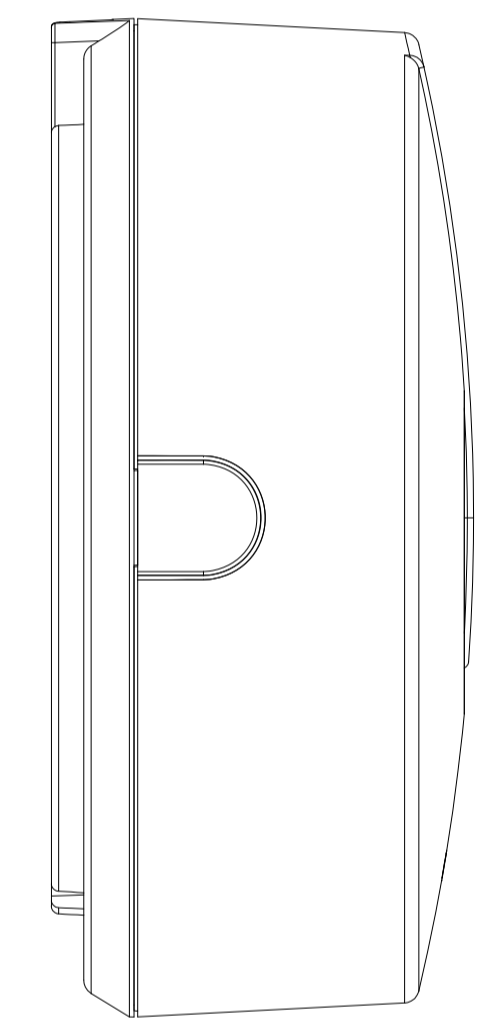
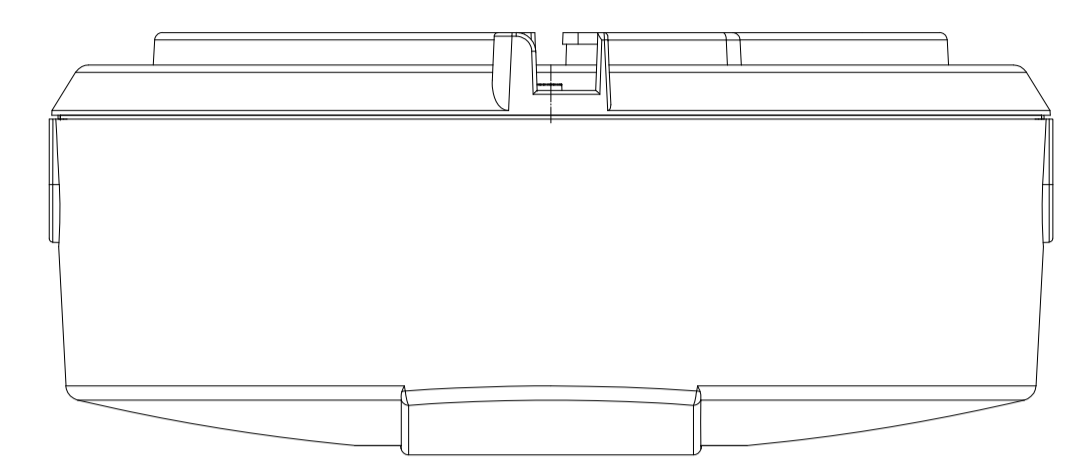
NOTES:

1. MATERIAL: WHITE PET, t=0.05
ADHESIVE: 網紋背膠, t=0.024
FINISH: 上亮PET, t=0.025
2. COLOR: 底色為白色
3. 被貼物: 塑膠殼無咬花
4. 捲狀出貨, 不加虛刀
5. 離型紙左右間距各3±0.5mm
6. UL Approved: PGJ12

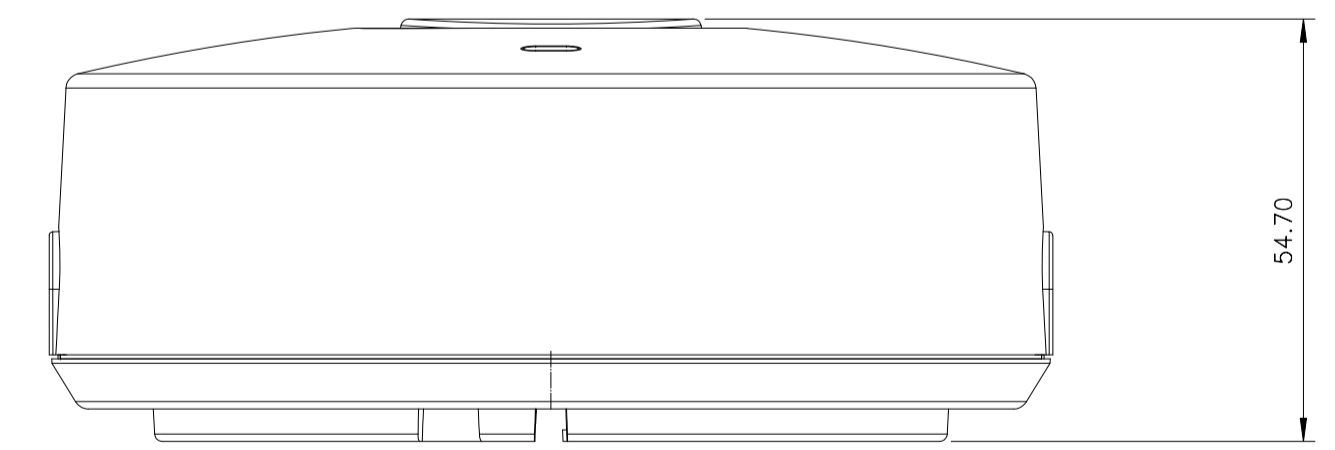
		UNLESS OTHERWISE SPECIFIED ALL DIMENSIONS ARE IN mm AND TOLERANCES ARE:				啟碁科技股份有限公司 Wistron NeWeb Corp. 20 Park Avenue II, Hsinchu Science Park, Hsinchu 308, Taiwan, R.O.C. Tel: 886-3-6667799 Fax: 886-3-5788726	
		INTEGER DIMENSIONS ± 0.5 1 PLACE DECIMAL ± 0.3		ANGULAR DIMENSIONS ± 2° HOLES UNDER Ø5.00 ± 0.2			
		MATERIAL: SEE NOTES				DWG TITLE	
		FINISH: SEE NOTES				LABEL, PR LABEL, FCC, SAQ3-Z1	
		THIRD ANGLE PROJECTION		DRAWN	CIHYI CHIU	08/11/15	SIZE A4 DWG NO. 4L-SAQ3Z13-003 REV B
NEXT ASSY	USED ON			ENGR	CIHYI CHIU	08/11/15	
APPLICATION				APVD	SANDY CHEN	08/11/15	
				SCALE	1/1	SHEET 1 OF 1	

PART NUMBER BLOCK	
PART NUMBER	REV
57SAQ301.G01	1

WNC PROPRIETARY				
REVISIONS				
ZONE	REV	DESCRIPTION	DATE	APPROVED
	1	NEW RELEASE	01/10/15	



FCC ID: I88NWA5123-AC



NWA5123-AC

NOTE:

- 1. OUTSIDE DIMENSION: 130.00x129.32x54.70 ± 0.5mm
- 2. MATERIAL: COVER: PC-I-TD5 FR40, UL94-5VB(BAYER FR3020W BBS910)
HOUSING: PC-I-TD5 FR40, UL94-5VB(BAYER FR3020W BBS910)
LIGHT GUIDE: PC 945A
- 3. COLOR: BAYER FR3020W 012584

UNLESS OTHERWISE SPECIFIED ALL DIMENSIONS ARE IN mm AND TOLERANCES ARE:				WNC 啓碁科技股份有限公司 Wistron NeWeb Corp. <small>20 Park Avenue II, Hsinchu Science Park, Hsinchu, 300, Taiwan, R.O.C. Tel: 886-3-6667799 Fax: 886-3-5788726</small>			
INTEGRER DIMENSIONS = 0.2		ANGULAR DIMENSIONS ± 1°		DWG TITLE			
1 PLACE DECIMAL = 0.1		HOLES UNDER Ø 5.00 = 0.05		OUTLINE, NWA5123-AC, SAQ3-Z1			
2 PLACE DECIMALS = 0.05				SIZE		REV	
MATERIAL:				A1		1	
FINISH:				DWG NO.		57SAQ301.G01	
THIRD ANGLE PROJECTION		DRAWN		KELTON HSIEH		01/10/15	
		ENGR		KELTON HSIEH		01/10/15	
NEXT ASSY		USED ON		APVD		ALVIN PENG 01/10/15	
APPLICATION				SCALE		1/1 SHEET 1 OF 1	