

## Features:

- **BLUETOOTH®** wireless technology
- Worldwide Usage
- fully-integrated Human Interface Device (HID)
- Optimized of power
- Full function keys
- Power saving system design
- Auto-reconnect
- No compliance issues
- Fully compliant with the version 2.0 **BLUETOOTH®** wireless technology specification
- Supports the key **BLUETOOTH®** wireless technology version 2.0 features, including adaptive frequency hopping and fast connection

## Specification :

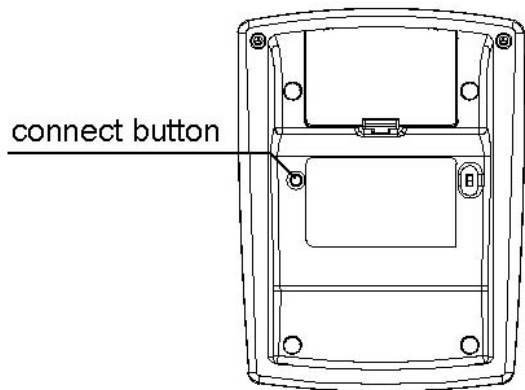
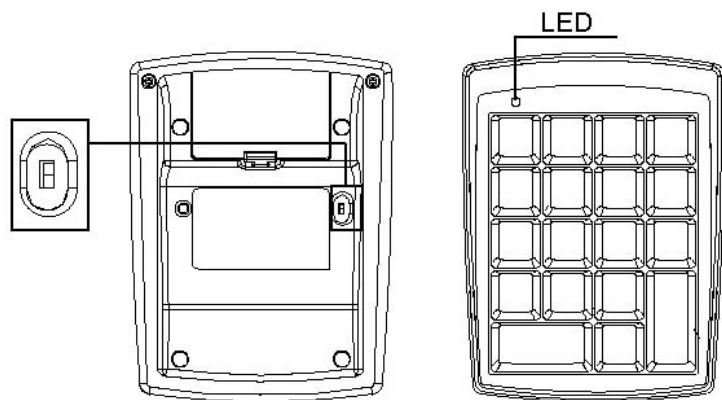
- Key switch: Rubber conductor structure
- Key life:2 million cycles
- Keys Pitch: 19 mm
- Key number:18/19 keys
- Dimension:95\*125\*25 mm (L\*W\*H)
- Weight:Keypad:140g
- Power:2"AA" Batteries
- Standby mode: 0.4mA
- Operating mode:2.6mA
- Sleeping mode: 0.14mA
- Lower Battery: Under 2V
- Frequency:2.4GHz ISM band
- Range: Up to 10 meters

## Use general Bluetooth Keypad :

- 1 Open the battery cover located on the back of the Keyboard , and install 2 AAA batteries
- 2 Turn on the power of Keypad.
- 3 Press Connector button 1 second behind keyboard, Bluetooth Keyboard will become Discoverable (This state could hold 20 seconds; if overtime, the Keyboard will enter the sleep mode automatically)
- 4 Fast double click the dongle button, dongle will glimmer with Blue LED at the moment.
- 5 Input Password and then press the "Enter" key on Keyboard. the Blue LED has changed from normal speed to fast then off LED..
- 6 Then Bluetooth Keypad has already connect to PC , it's okay for use.
- 7 If Bluetooth Keypad could not been Discovered or Low Battery LED always on , please exchange new batteries.

## Notes:

- If you don't use the keyboard for a long time, please turn off power for saving.
- It will take three seconds from sleep mode to operation mode when you press the keys.

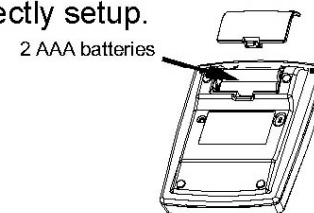


## Battery Installation

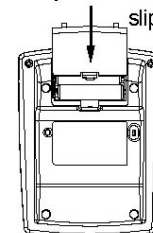
1. Press and remove the battery door.



2. Put batteries into the keypad and ensure the polarity of the batteries is correctly setup.



3. Then, put back the battery door and slip it from back to front smoothly and turn on the power.



## **Federal Communications Commission (FCC) Statement**

15.21

You are cautioned that changes or modifications not expressly approved by the part responsible for compliance could void the user's authority to operate the equipment.

15.105(b)

This equipment has been tested and found to comply with the limits for a Class B digital device, pursuant to part 15 of the FCC rules. These limits are designed to provide reasonable protection against harmful interference in a residential installation. This equipment generates, uses and can radiate radio frequency energy and, if not installed and used in accordance with the instructions, may cause harmful interference to radio communications.

However, there is no guarantee that interference will not occur in a particular installation. If this equipment does cause harmful interference to radio or television reception, which can be determined by turning the equipment off and on, the user is encouraged to try to correct the interference by one or more of the following measures:

- Reorient or relocate the receiving antenna.
- Increase the separation between the equipment and receiver.
- Connect the equipment into an outlet on a circuit different from that to which the receiver is connected.
- Consult the dealer or an experienced radio/TV technician for help.

### **Operation is subject to the following two conditions:**

1) this device may not cause interference and

2) this device must accept any interference, including interference that may cause undesired operation of the device.

### **FCC RF Radiation Exposure Statement:**

This equipment complies with FCC radiation exposure limits set forth for an uncontrolled environment. End users must follow the specific operating instructions for satisfying RF exposure compliance. This transmitter must not be co-located or operating in conjunction with any other antenna or transmitter.