

This pullup resistor puts the BCM94306MP bus interface into 16-bit PC Card mode.

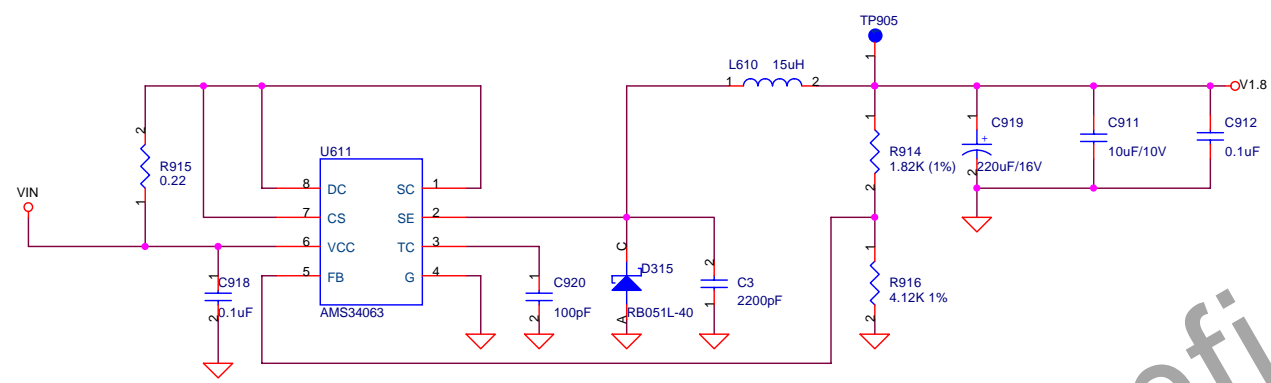
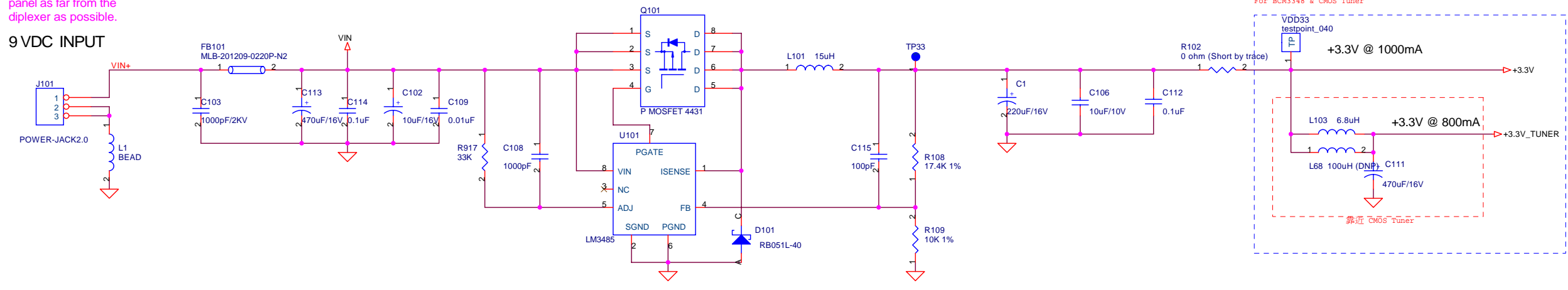
LITTLE ENDIAN BUS SWAP

WLAN_D0	D8
WLAN_D1	D9
WLAN_D2	D10
WLAN_D3	D11
WLAN_D4	D12
WLAN_D5	D13
WLAN_D6	D14
WLAN_D7	D15
WLAN_D8	D0
WLAN_D9	D1
WLAN_D10	D2
WLAN_D11	D3
WLAN_D12	D4
WLAN_D13	D5
WLAN_D14	D6
WLAN_D15	D7

A0	
A1	
A2	
A3	
A4	
A5	
A6	
A7	
A8	
A9	
A10	
A11	
A12	
A13	
A14	

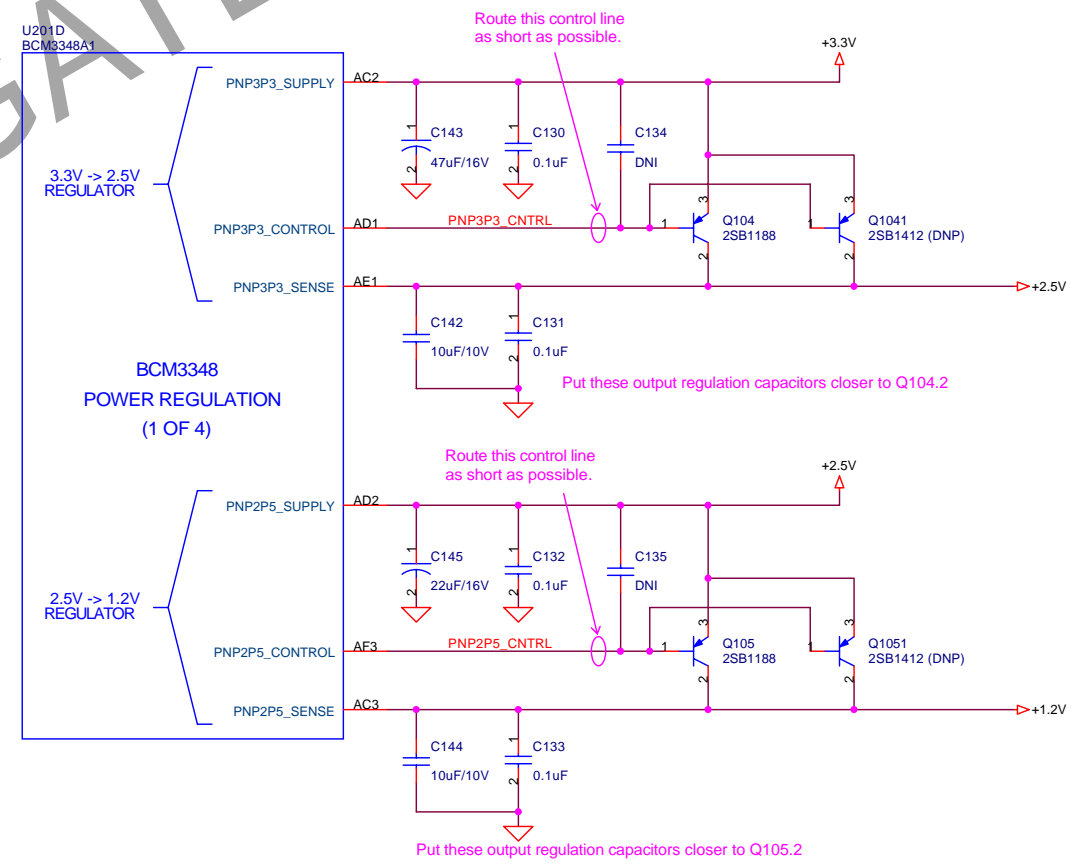
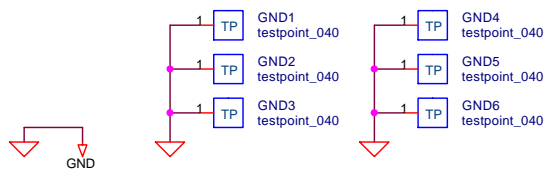
Locate power connector on rear panel as far from the diplexer as possible.

9 VDC INPUT

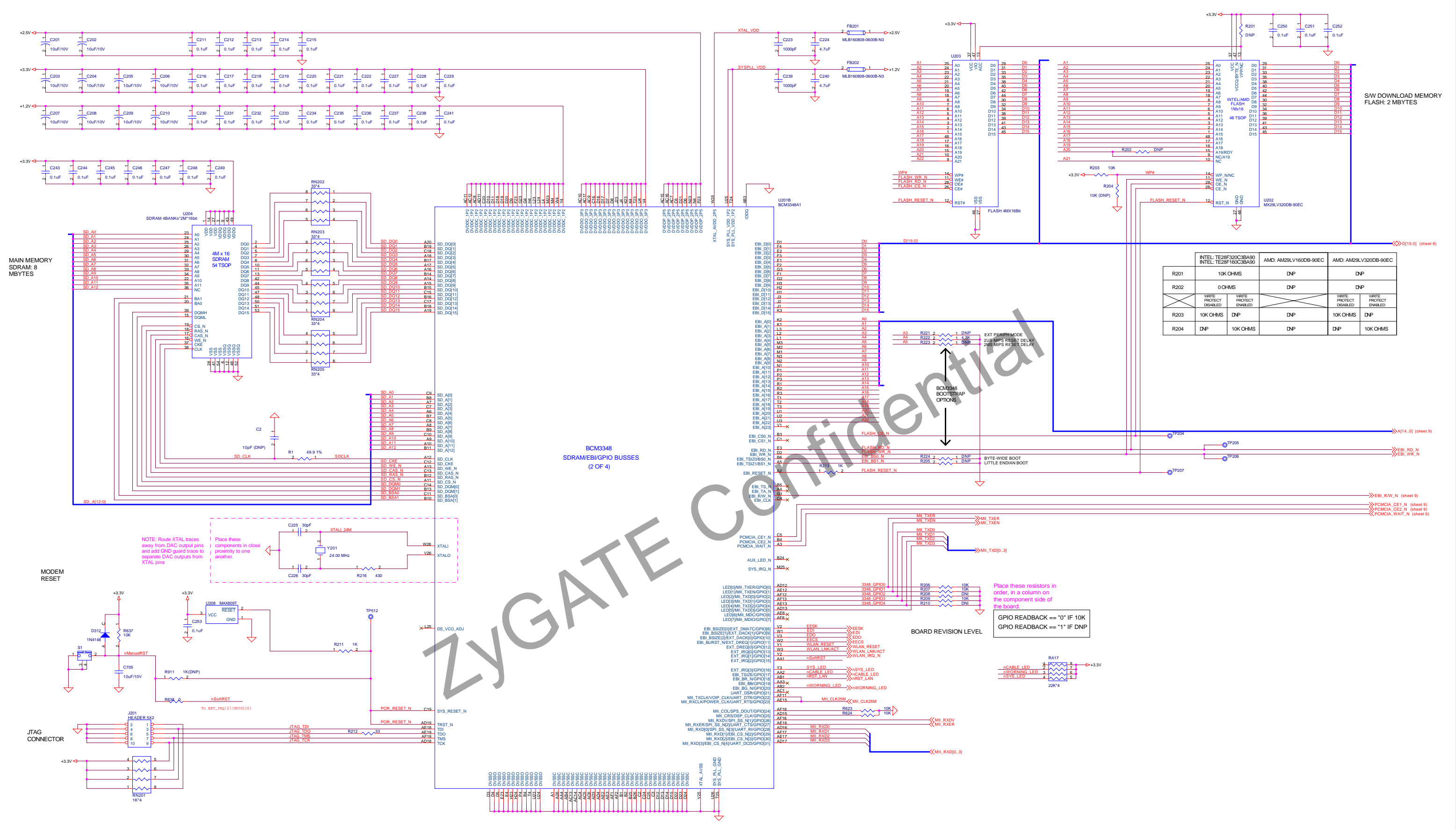


ZyGATE Confidential

Evenly Distribute GND test VIA's around the PCB. Label accordingly.



ZyGATE Communications, Inc.			
Title P964S Cable Sharing Gateway with USB, 4 port Switch and Wireless 802.11G AP			
Size	Document Number	Power	Rev
C			3.8
Date:	Wednesday, April 14, 2004	Sheet	4 of 12



MAIN MEMORY
SDRAM: 8
MBYTES

SW DOWNLOAD MEMORY
FLASH: 2 MBYTES

BCM3348
SDRAM/EBI/GPIO BUSES
(2 OF 4)

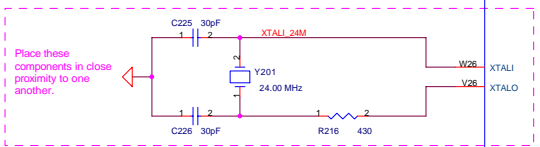
	INTEL: TE28F320CB90 INTEL: TE28F160CB90	AMD: AM29LV160DB-90EC	AMD: AM29LV320DB-90EC
R201	10K OHMS	DNP	DNP
R202	0 OHMS	DNP	DNP
R203	10K OHMS	DNP	10K OHMS
R204	DNP	10K OHMS	DNP

BCM3348
BOOTSTRAP
OPTIONS

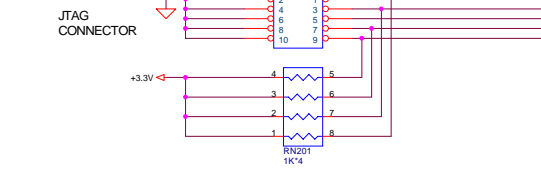
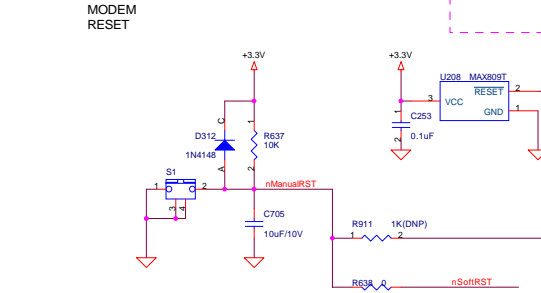
GPIO READBACK == "0" IF 10K
GPIO READBACK == "1" IF DNP

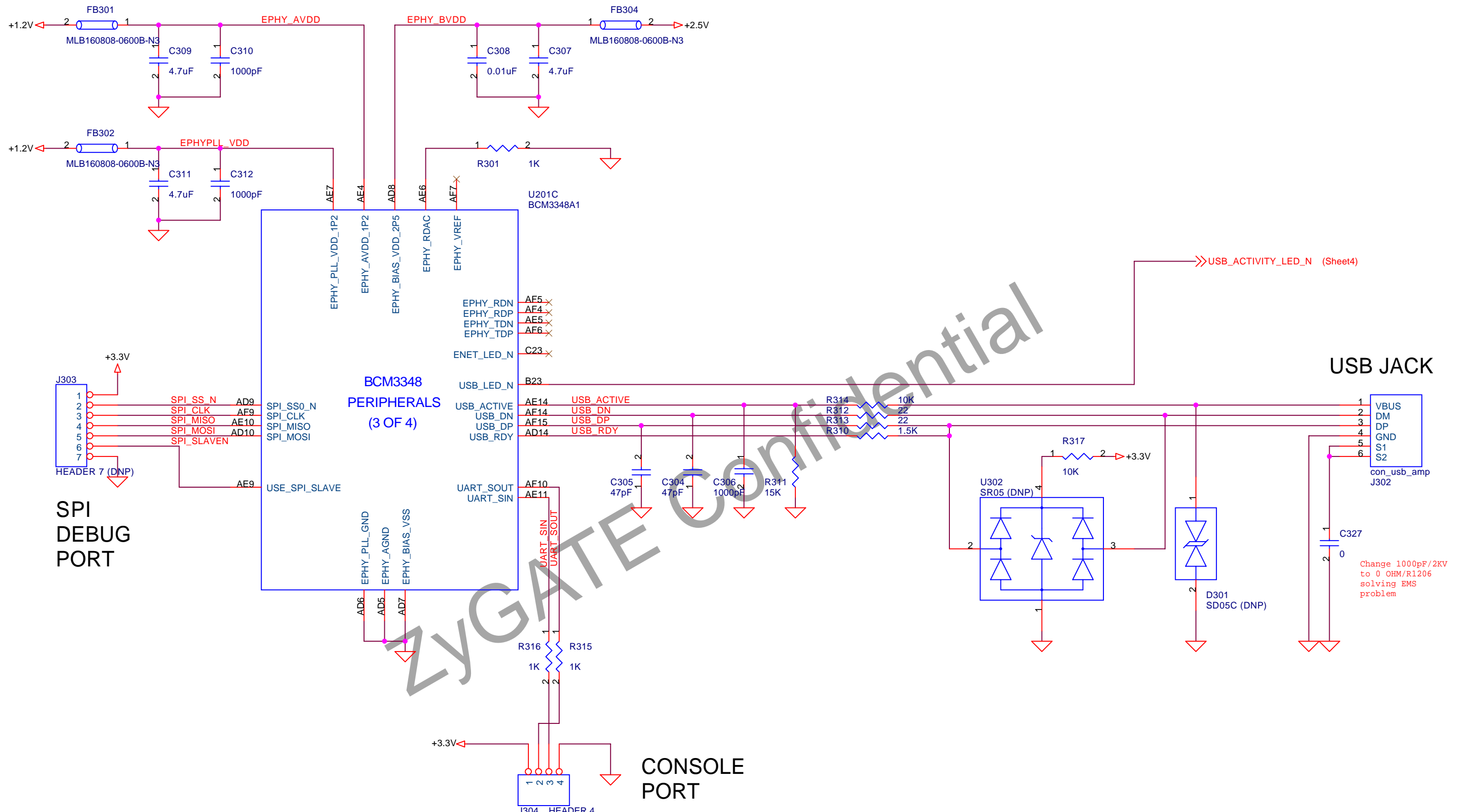
BOARD REVISION LEVEL

NOTE: Route XTAL traces
away from DAC output pins
and add GND guard trace to
separate DAC outputs from
XTAL pins



Place these components in close
proximity to one
another.





ZyGATE Communications, Inc.		
Title P964S Cable Sharing Gateway with USB, 4 port Switch and Wireless 802.11G AP		
Size B	Document Number USB & RS232	Rev 3.8
Date: Monday, May 03, 2004	Sheet 6	of 12

CABLE LED

nCABLE_LED (Sheet3)

DATA LED
WLAN LED

CABLE_ACTIVITY_LED_N (Sheet6)

WLAN_LNK/ACT (Sheet9)

USB_ACTIVITY_LED_N (Sheet7)

USB LED

100M LAN4
10M

SPEED_3 (Sheet8)

100M LAN3
10M

SPEED_2 (Sheet8)

100M LAN2
10M

SPEED_1 (Sheet8)

100M LAN1
10M

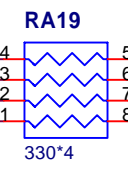
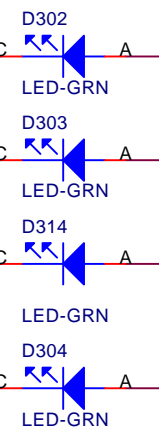
SPEED_0 (Sheet8)

SYS LED

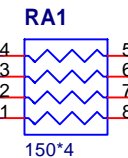
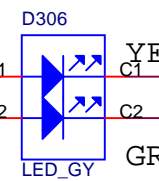
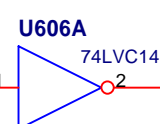
nWARNING_LED (Sheet3)

nSYS_LED (Sheet3)

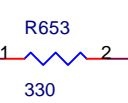
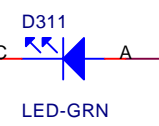
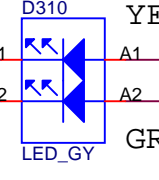
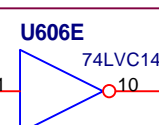
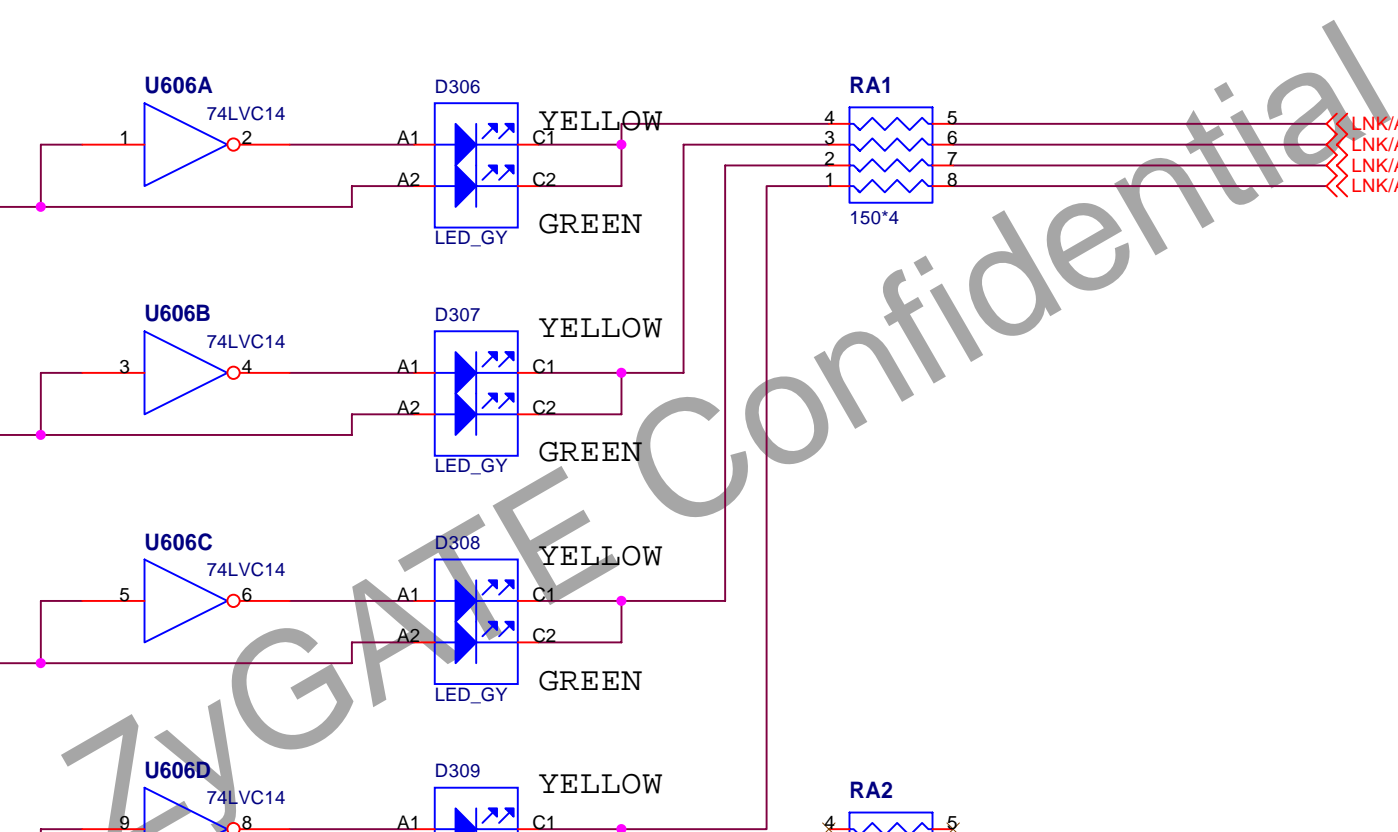
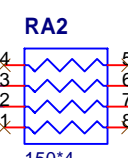
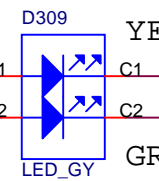
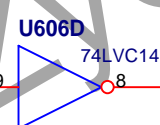
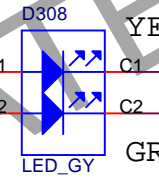
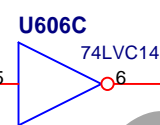
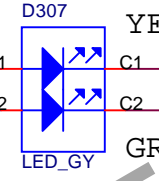
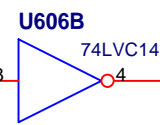
POWER LED



+3.3V VCC

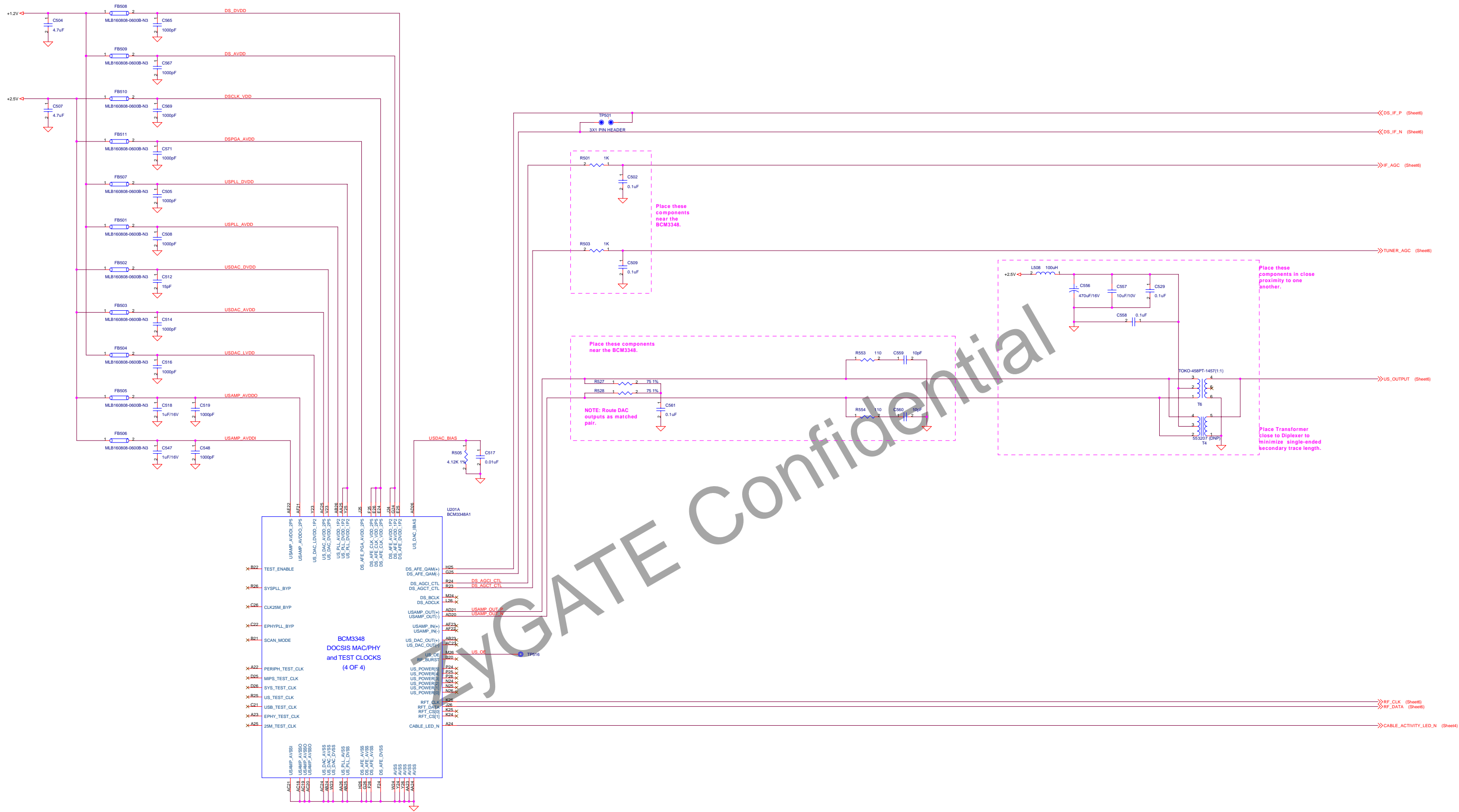


LNK/ACT_3 (Sheet8)
LNK/ACT_2 (Sheet8)
LNK/ACT_1 (Sheet8)
LNK/ACT_0 (Sheet8)



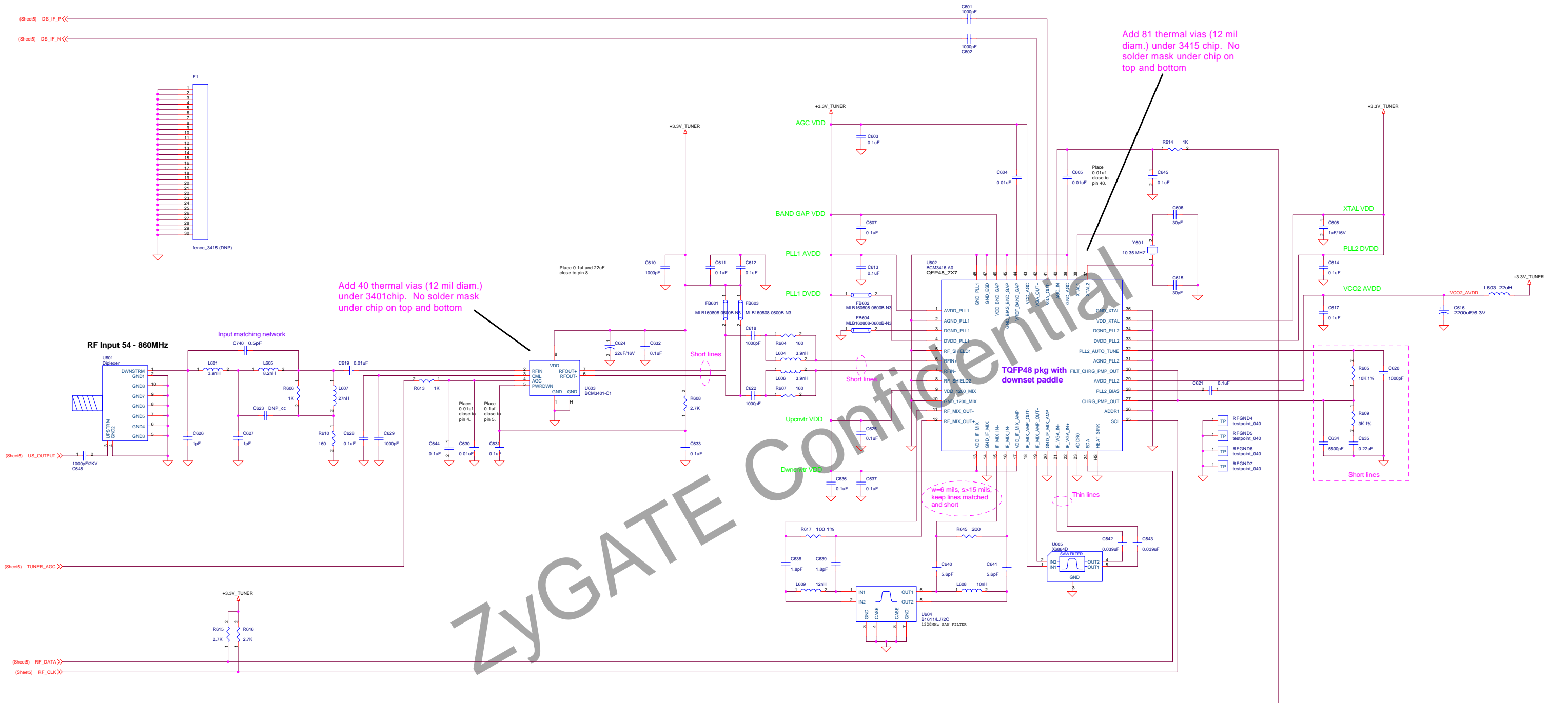
+3.3V

ZyGATE Communications, Inc.		
Title P964S Cable Sharing Gateway with USB, 4 port Switch and Wireless 802.11G AP		
Size B	Document Number LEDs	Rev 3.8
Date:	Wednesday, March 24, 2004	Sheet 7 of 12



ZyGATE Confidential

THESE COMPONENTS ARE WITHIN THE BOARD STIFFENER OUTLINE



Add 40 thermal vias (12 mil diam.) under 3401 chip. No solder mask under chip on top and bottom

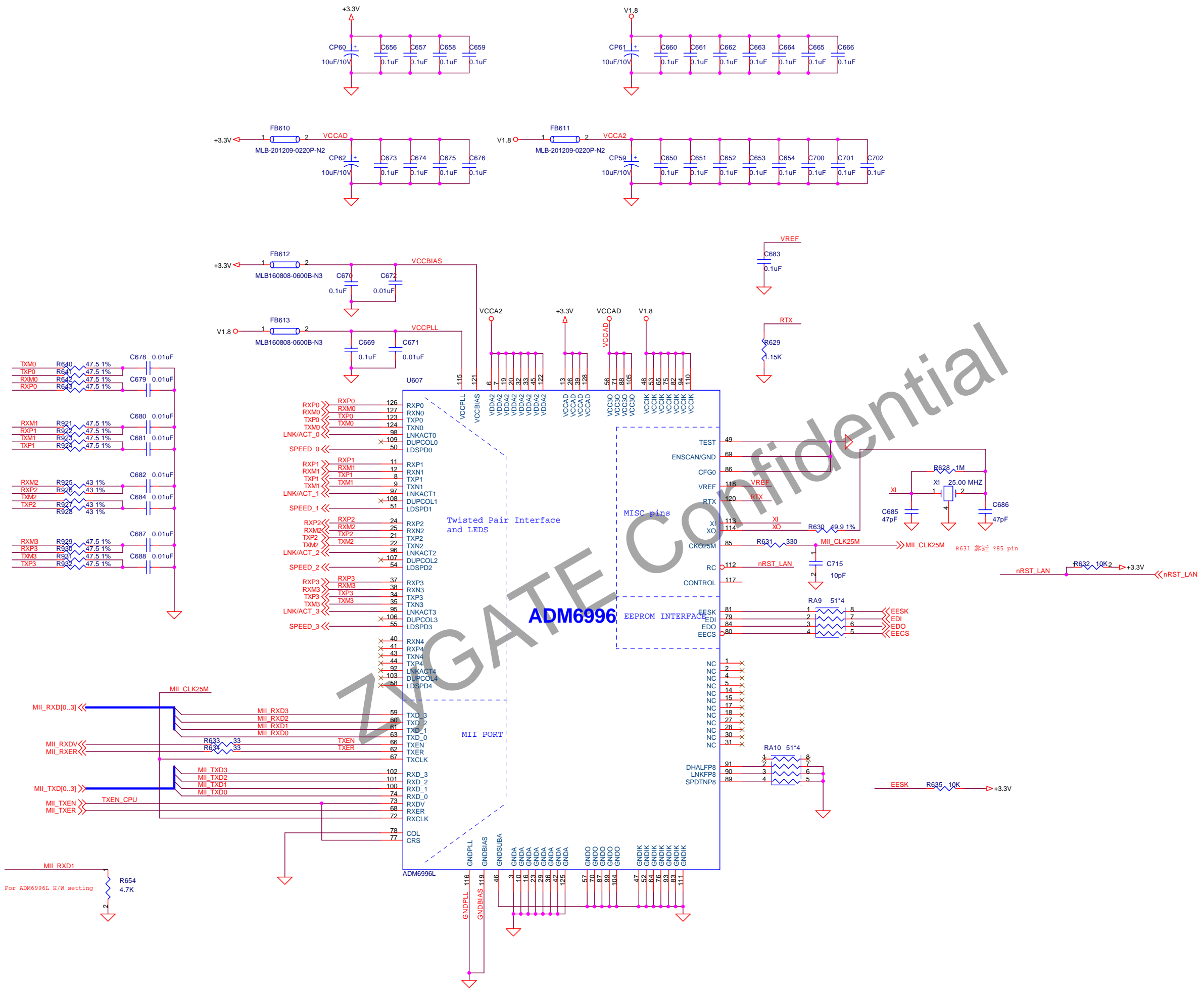
Add 81 thermal vias (12 mil diam.) under 3415 chip. No solder mask under chip on top and bottom

w=6 mils, s>15 mils, keep lines matched and short

Thin lines

Short lines

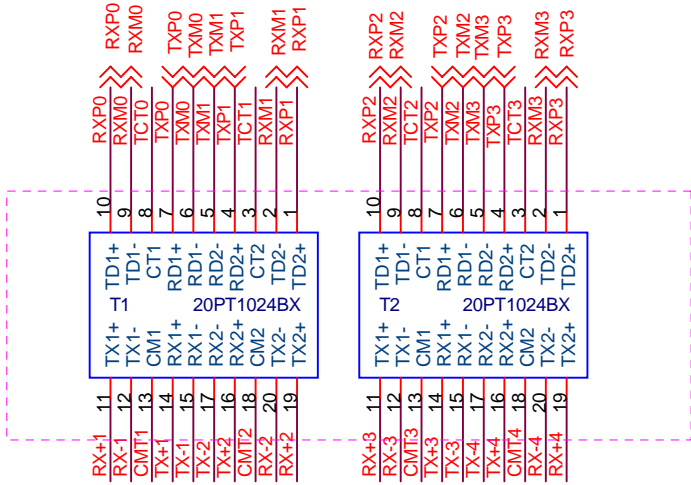
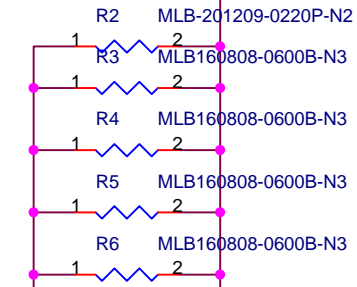
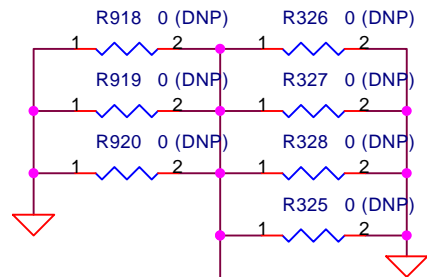
ZYGATE Confidential



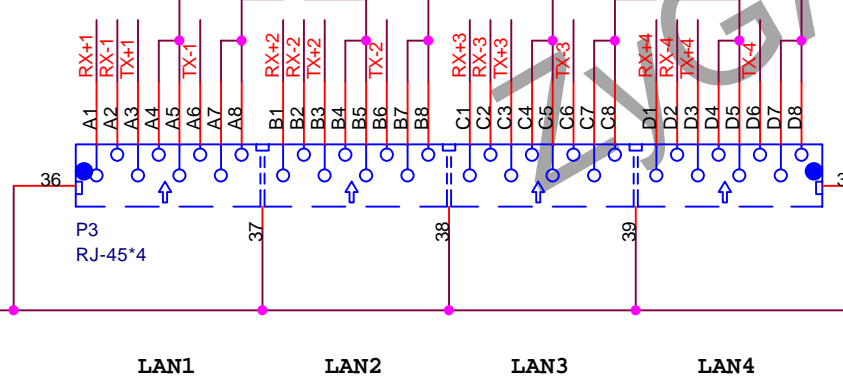
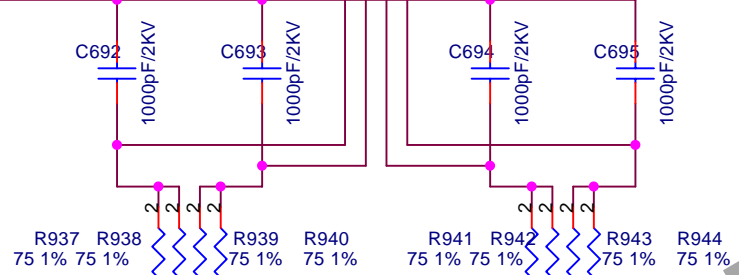
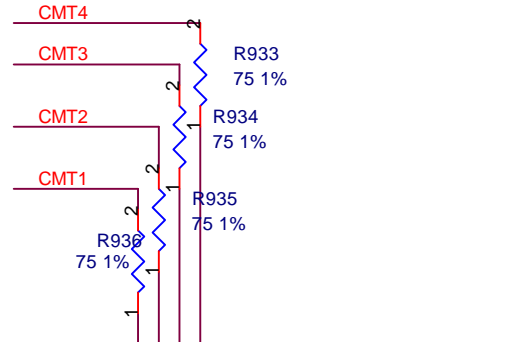
ZYGATE Confidential

ADM6996L

Straddle R325-R330
across the void
separating GND and
GND_EPHY.
用補線方式將電阻短路



Route this area void of PWR/GND planes and signal traces.



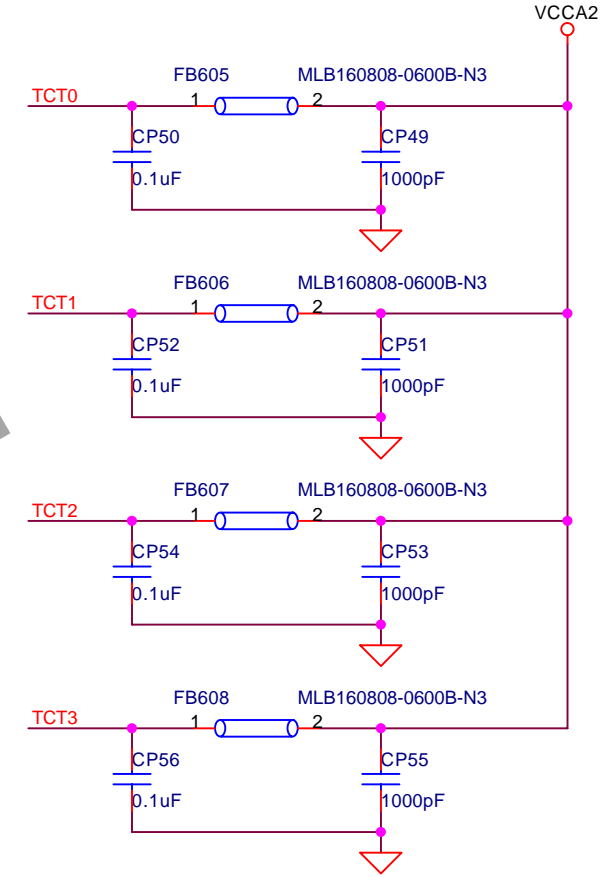
GND_EPHY

LAN1 LAN2 LAN3 LAN4

10/100M Ethernet

ETHERNET JACK

Route this area void of PWR planes and non-EPHY signal traces. Include a GND_EPHY island underneath these components. Connect it into the main GND plane through resistors R325-R330

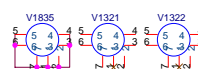


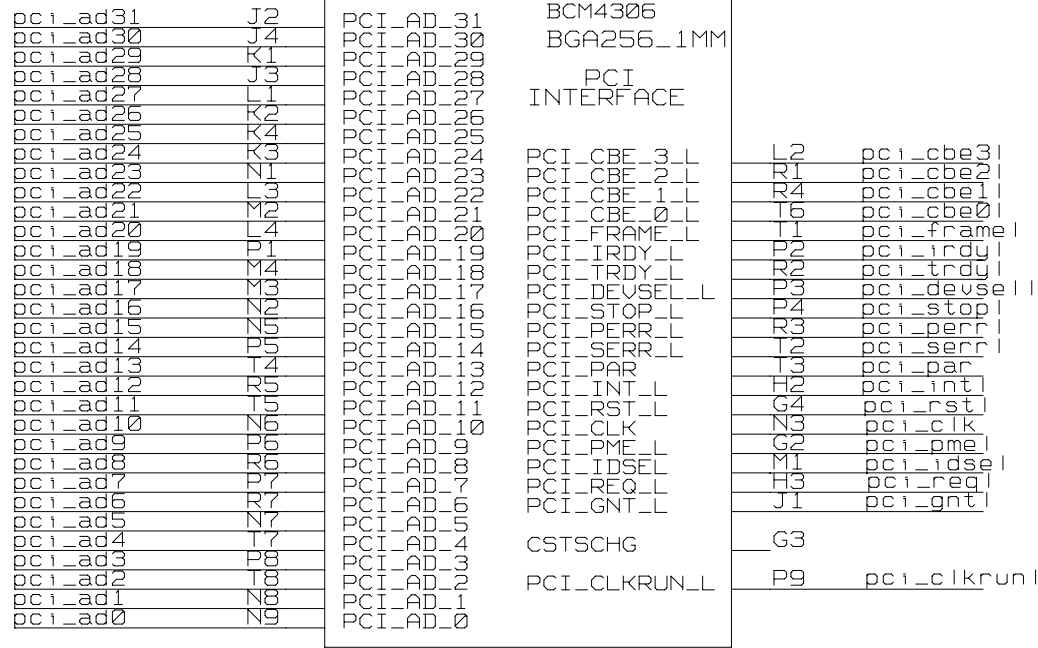
ZyGATE Communications, Inc.		
Title P964S Cable Sharing Gateway with USB, 4 port Switch and Wireless 802.11G AP		
Size B	Document Number LAN Transformer & Connector	Rev 3.8
Date:	Wednesday, April 14, 2004	Sheet 11 of 12

PCB 定位柱

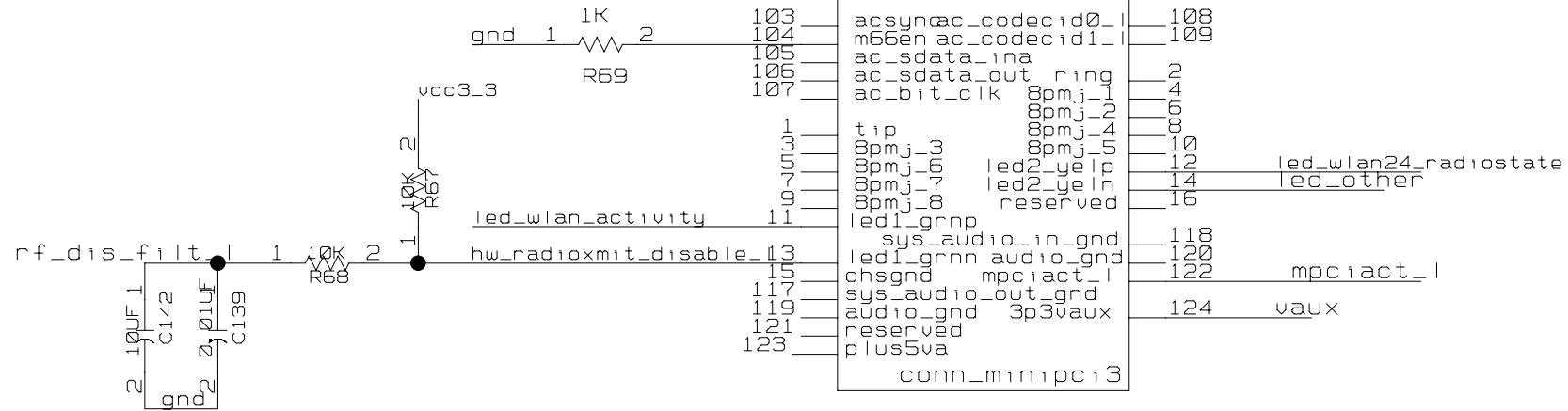


四個 4mm PCB 固定用螺絲孔



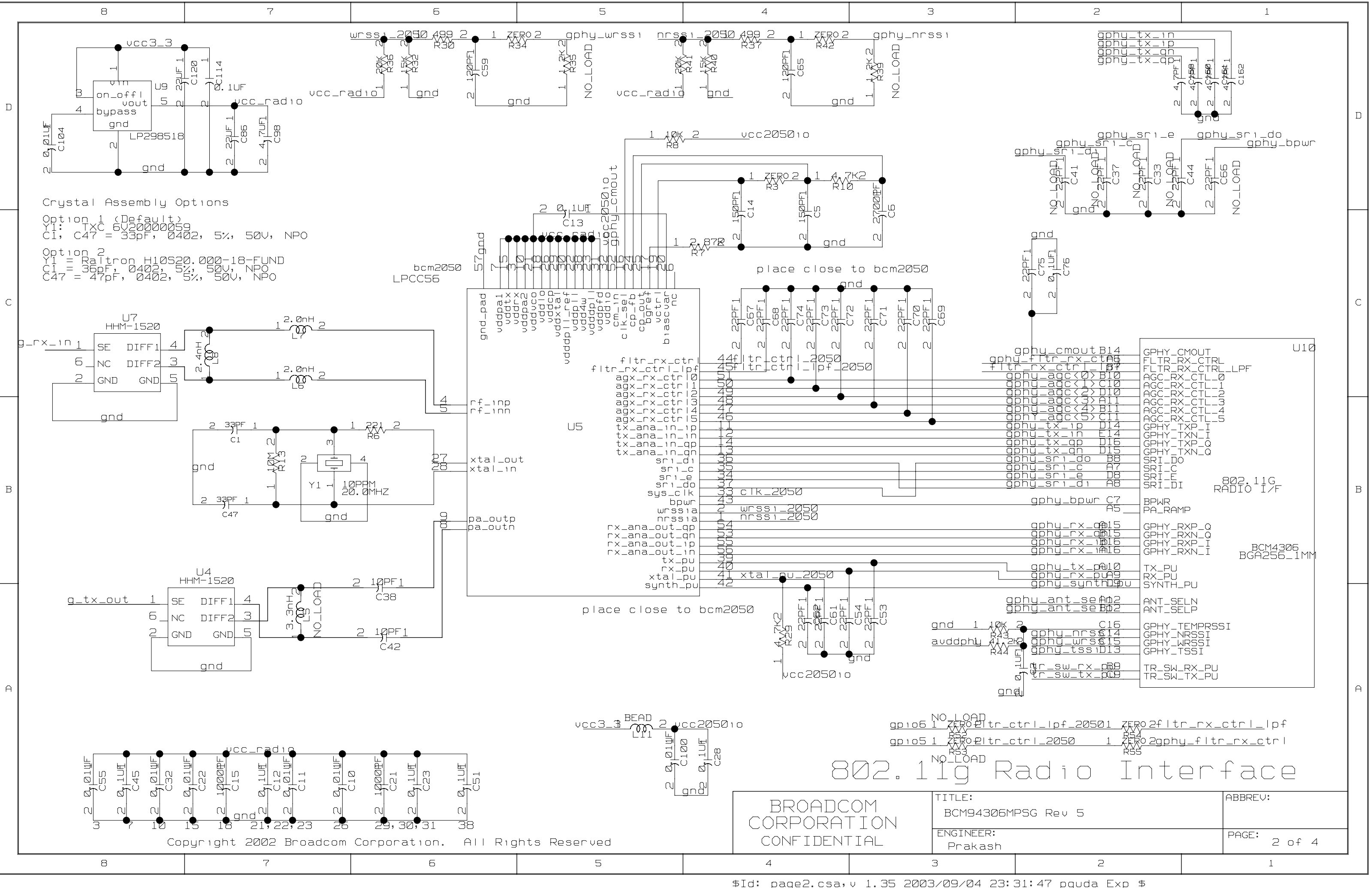


Page 1: MiniPCI Interface
 Page 2: 802.11b/g Radio Interface
 Page 3: 802.11b/g RF Front End
 Page 4: Power/Clocks/Misc.



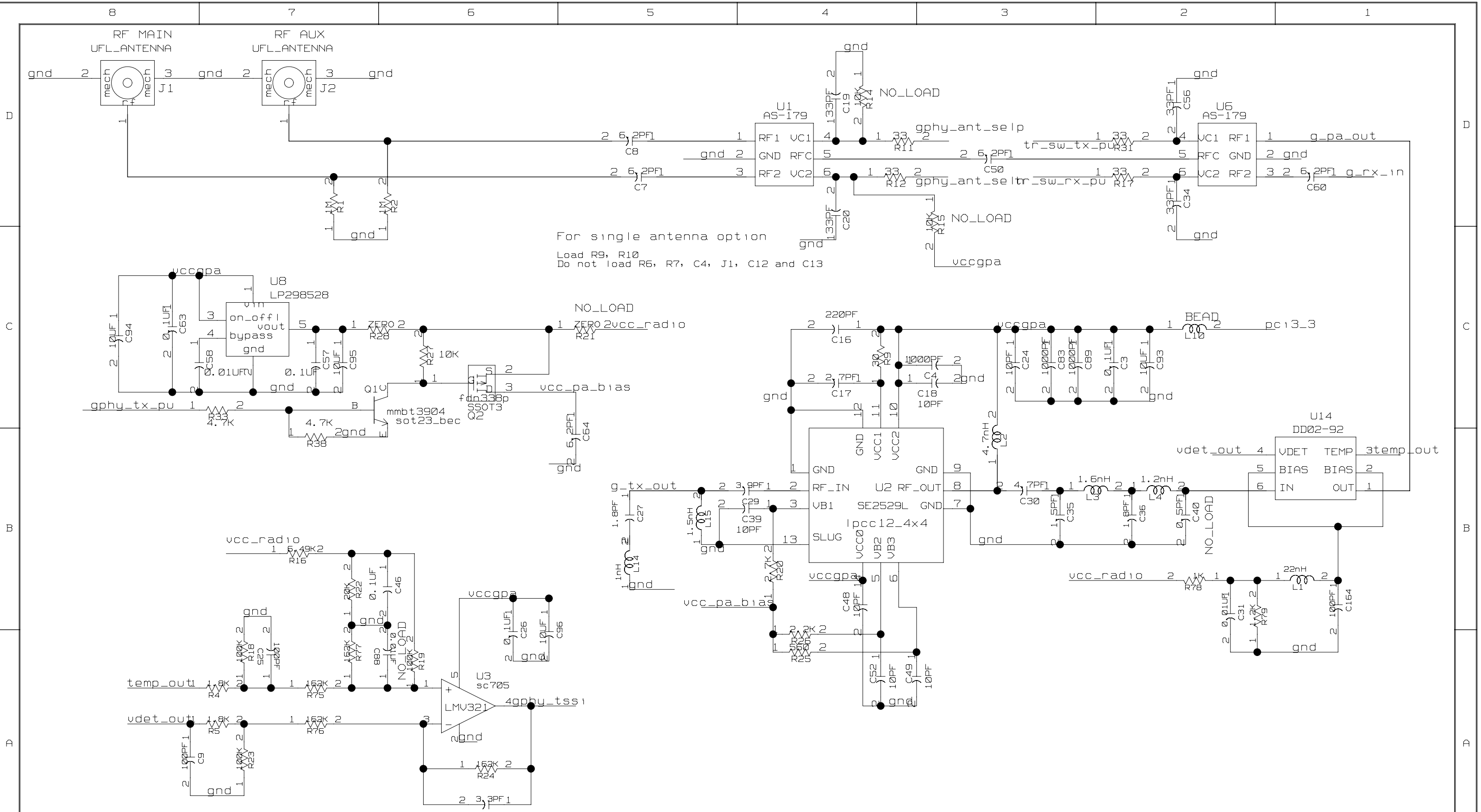
minipci interface

BROADCOM CORPORATION CONFIDENTIAL	TITLE: BCM94306MPSG Rev 5	ABBREV:
	ENGINEER: Prakash	PAGE: 1 of 4



Crystal Assembly Options
 Option 1 (Default)
 Y1: TXC = 6V220000059
 C1, C47 = 33pF, 0402, 5%, 50V, NPO
 Option 2
 Y1 = Raaltron H10S20.000-18-FUND
 C1 = 36pF, 0402, 5%, 50V, NPO
 C47 = 47pF, 0402, 5%, 50V, NPO

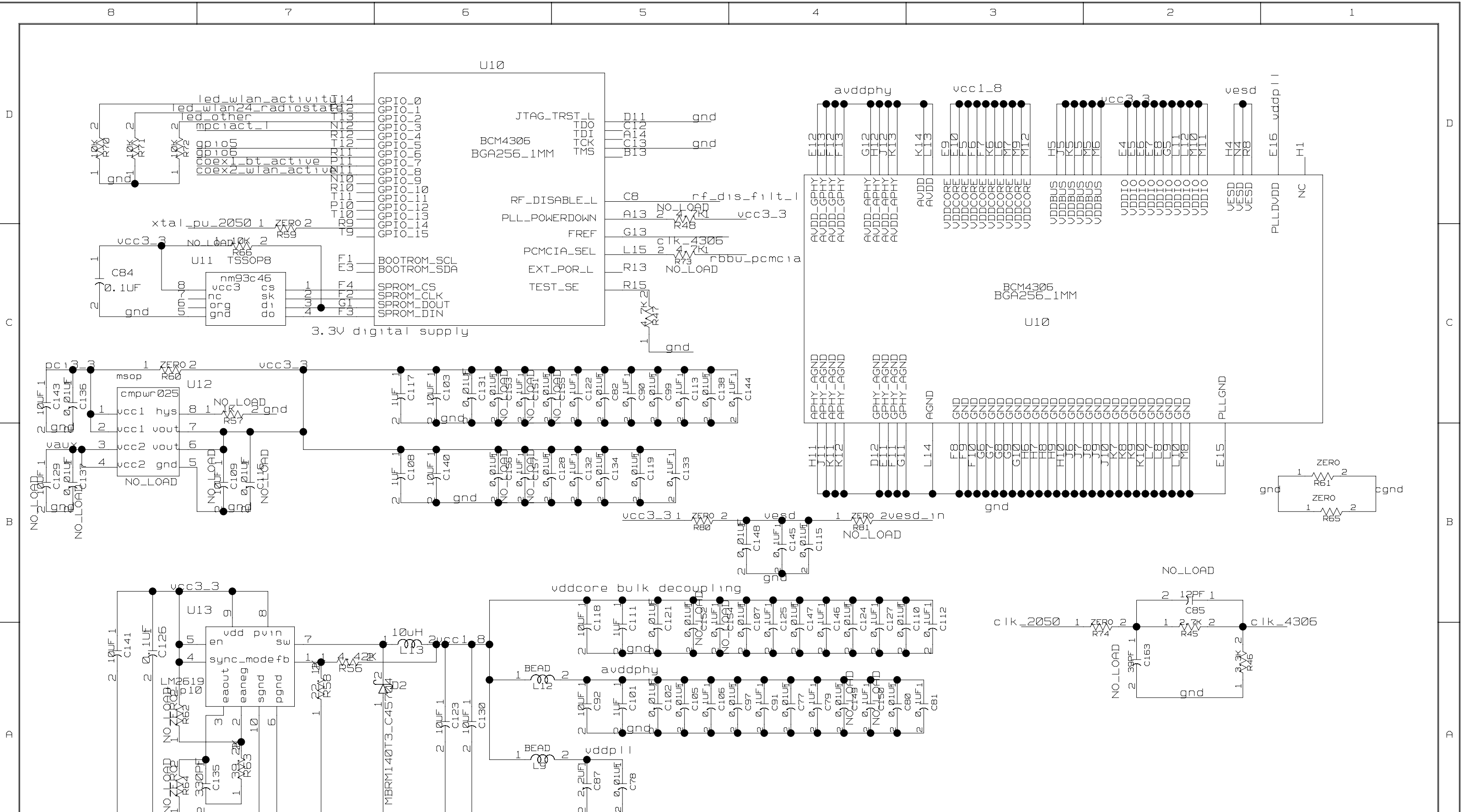
BROADCOM CORPORATION CONFIDENTIAL	TITLE: BCM94306MPSG Rev 5	ABBREV:
	ENGINEER: Prakash	PAGE: 2 of 4



802.11g RF Front End

BROADCOM CORPORATION CONFIDENTIAL	TITLE: BCM94306MPSG Rev 5	ABBREV:
	ENGINEER: Prakash	PAGE: 3 of 4

Copyright 2002 Broadcom Corporation. All Rights Reserved



BCM4306 POWER, CLOCKS & MISC.

BROADCOM CORPORATION CONFIDENTIAL	TITLE: BCM94306MPSG Rev 5	ABBREV:
	ENGINEER: Prakash	PAGE: 4 of 4