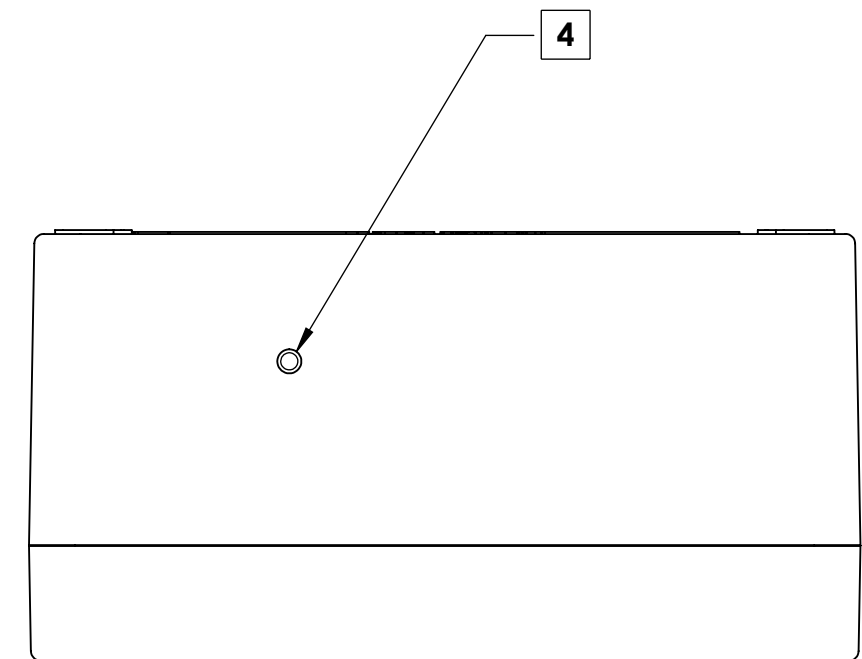
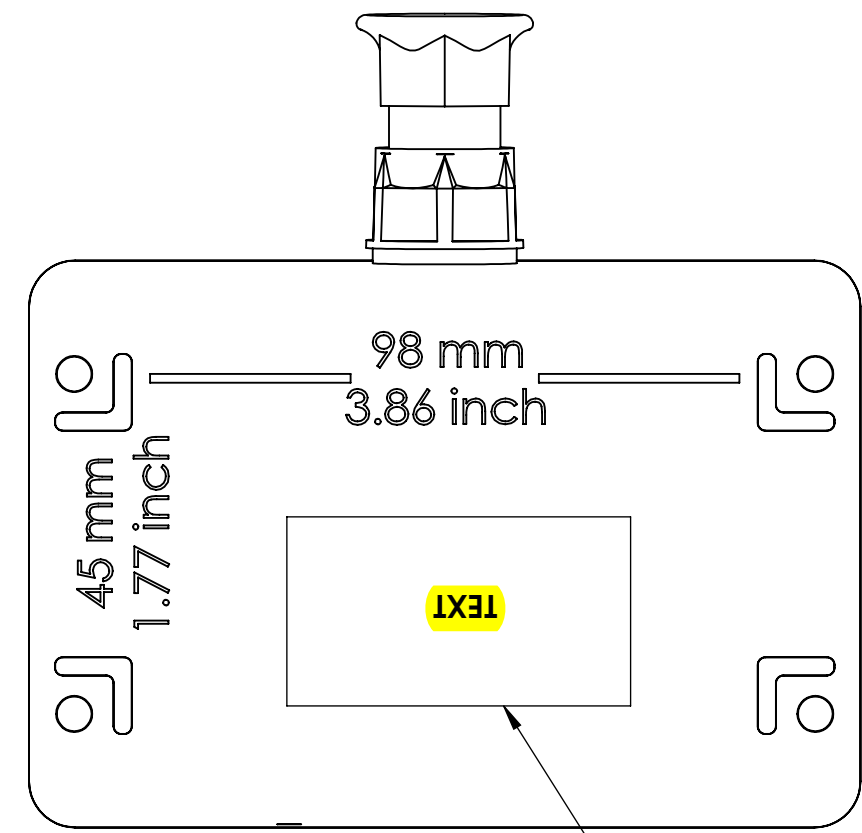
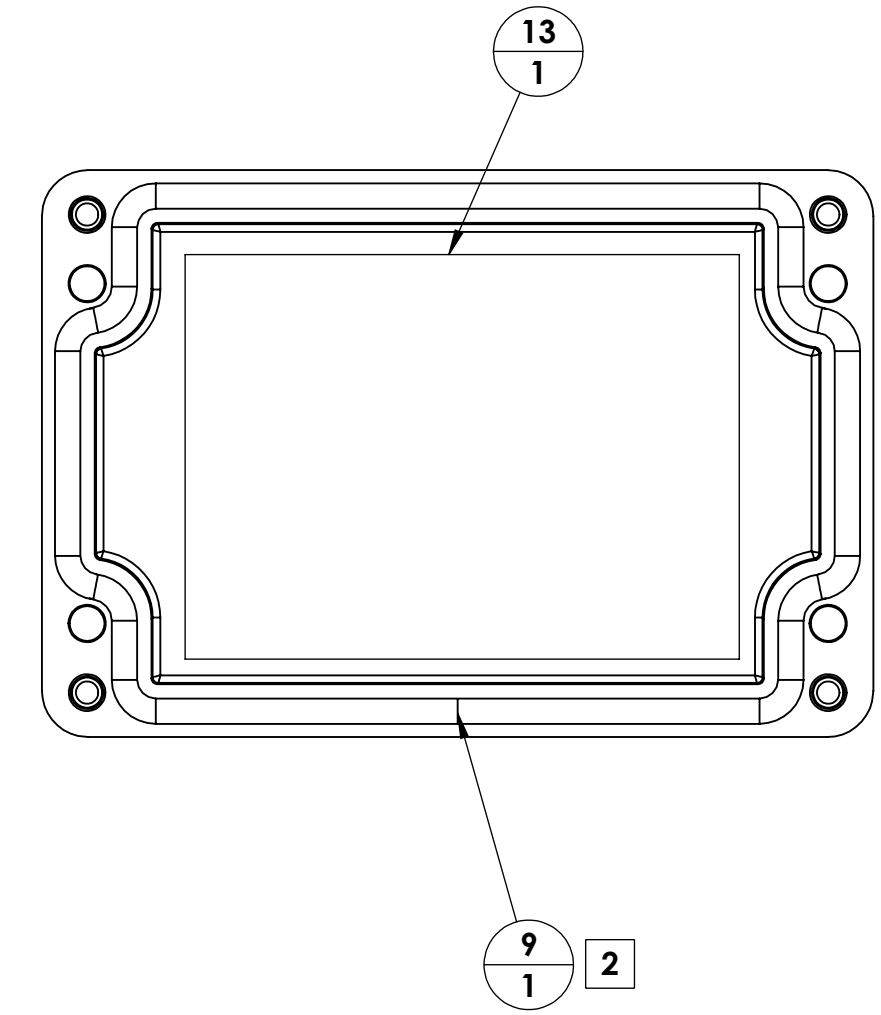
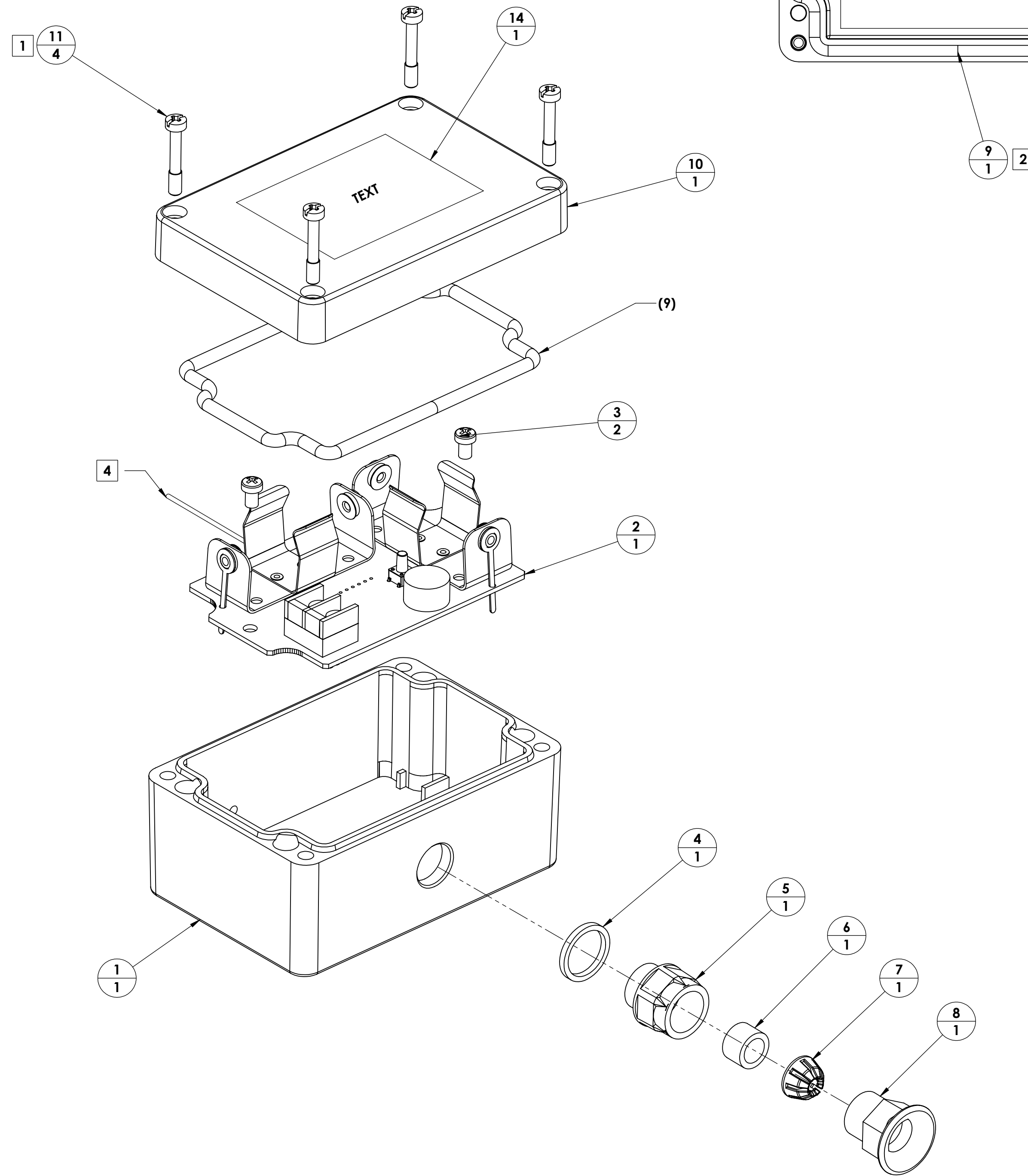


- NOTES:
- 1 DO NOT TIGHTEN COVER SCREWS.
 - 2 INSTALL (ITEM 9) INTO THE GROOVE OF (ITEM 10).
 - 3 DELETED.
 - 4 INSTALL ANTENNA ASSY THRU HOLE IN (ITEM 1). AFTER INSTALLATION APPLY (ITEM 16) TO FILL AND SEAL THE HOLE IN (ITEM 1) FROM THE OUTSIDE OF THE BOX. P4



TOP VIEW P4



REVISIONS					
ECO	ZONE	REV.	DESCRIPTION	DATE	APPROVED
021384		P2	INITIAL RELEASE	4/4/2017	
021840		P3	REMOVED ITEM 15 AND NOTE 3.	5/26/2017	
021687		P4	ADDED TOP VIEW AND MODIFIED NOTE 4. MOVED ITEM 12 TO OUTSIDE OF BOX	6/5/2017	

ITEM	QTY	AR	PART NUMBER	DESCRIPTION	SPECS/NOTES	MANUFACTURER
			10016740	RTV, 732, MULTI-PURPOSE, CLEAR, 300ML		
			10015261	LABEL, CAUTION, SGET(TOP CVR OUTSIDE)		
			10015500	LABEL, LOCATOR, SGET,(INSIDE COVER)		
			10015260	LABEL, FCC, SGET		
			220276	SCR, CAPTIVE, M4 X 0.7 X .94, FIL, SS		
			10015403-001	BOX, LID, GATE TX		
			234891	O-RING, 95ODX87IDX4, SILICONE, BLACK		
			10017832-001	COMPRESSION UNIT, CABLE GRIP, GATE TX		
			220696	CLAMPING JAW, CABLE GRIP, GATE TX		
			220697	SEALING COLLAR, CABLE GRIP, GATE TX		
			10017831-001	BODY, CABLE GRIP, GATE TX		
			220698	WASHER, CABLE GRIP, GATE TX		
			210514	SCR, MACH, M4X6MM, PNH, PH, S/Z		
			10015209	ASSY, PCB, SGET		
			10015402-001	BOX, BASE, GATE TX		
			10015210	ASSY, MECH, SGET		

UNLESS OTHERWISE SPECIFIED, DRAWN DIMENSIONS ARE IN mm
 TOLERANCES:
 ANGULAR: ± 1°
 X = ± 0.1
 X.X = ± 0.3
 X.XX = ± 0.15

CHECKED: R. OWEN
 ENG APPR.
 MFG APPR.
 Q.A.

DATE: 4/4/2017

GTO
 ACCESS SYSTEMS, LLC
 3121 HARTSFIELD ROAD
 TALLAHASSEE, FL 32303

TITLE:
ASSY, MECH, SGET

SCALE: 1:1 WEIGHT: SHEET 1 OF 1