

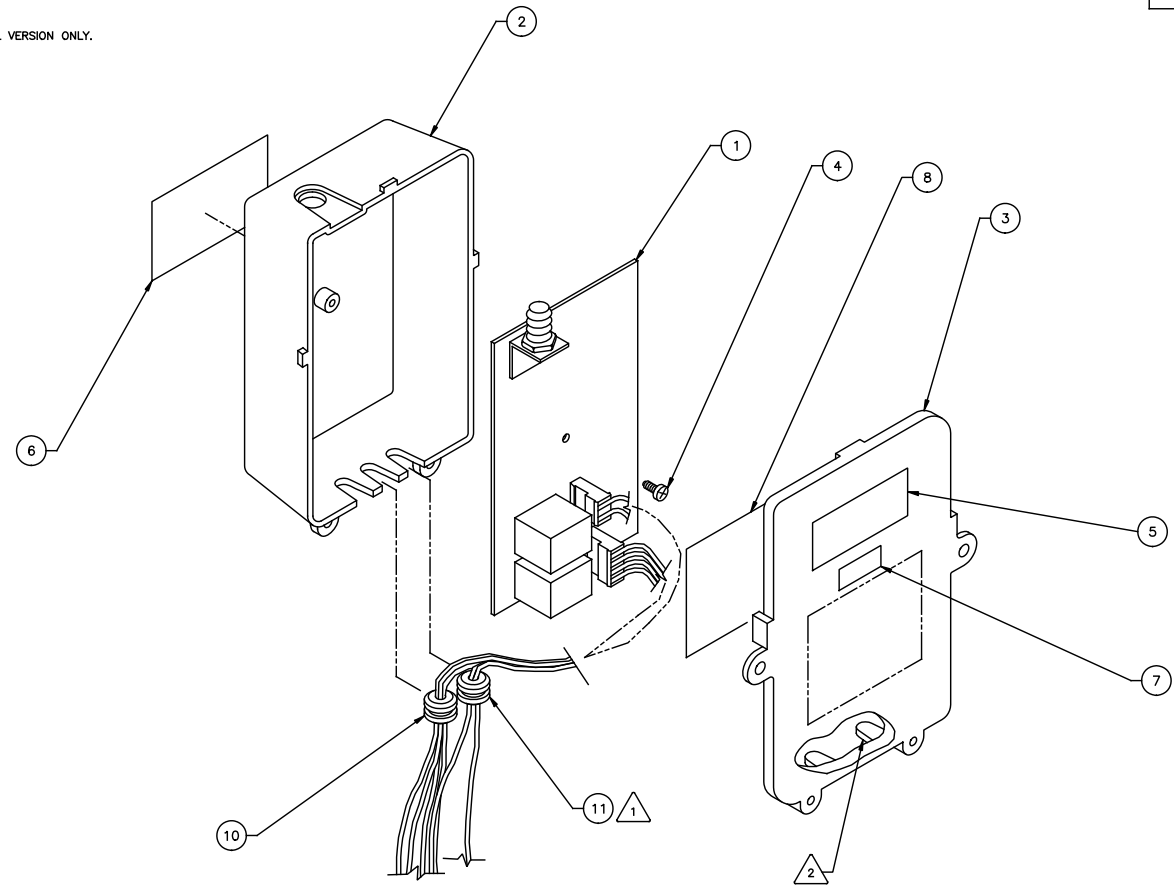
8 | 7 | 6 | 5 | 4 | 3 | 2 | 1

NOTES: (UNLESS OTHERWISE SPECIFIED)

- 1 ITEM 11 (CABLE) INSTALLED ON TWO-CHANNEL VERSION ONLY.
- 2 CUT TAB OFF ON TWO-CHANNEL VERSION ONLY.

REVISIONS				
ZONE	REV	DESCRIPTION	DATE	APPROVED
	A	PRODUCTION RELEASE PER ECO 8457		

D
C
B
A



Item 5 is Regulatory label

SEE SEPARATE PARTS LIST

UNLESS OTHERWISE NOTED ALL DIMENSIONS ARE IN: INCHES		CONTRACT:		 2055 CORTE DEL MODAL • CARLSBAD, CA 92009	
TOLERANCES:		CAD OPERATOR: KAREN WARREN			
DECIMALS: .004	FRACTIONS: 1/32	CHECKED:	DATE:	TITLE: ASSY MECH, GRD	
ANGLES: ±0.5°	CONCENTRICITY: ±.005 [-.13]	APPROVED:	DATE:	SIZE: D	FILE NO: 220805
DRILL: .002 [-.13]	FLATNESS: ±.002 [-.13]	APPROVED:	DATE:	DRAWING NO: 220805	REV: A
DO NOT SCALE DRAWING		APPROVED:	DATE:	SCALE: 1/1	FILE NAME: SHEET: 1 OF 1

8 | 7 | 6 | 5 | 4 | 3 | 2 | 1