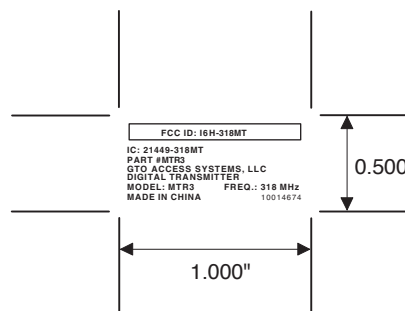
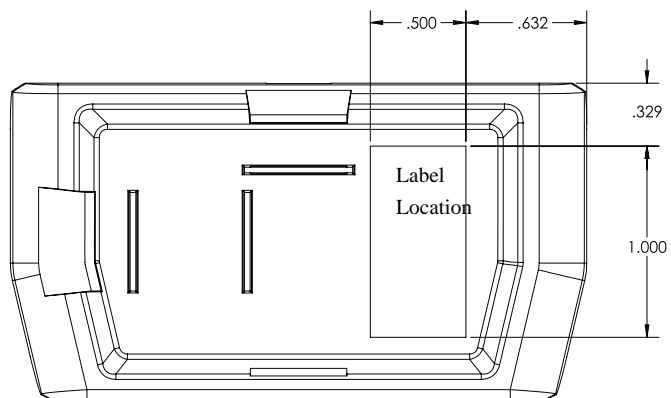


PROPRIETARY AND CONFIDENTIAL

THE INFORMATION CONTAINED IN THIS DRAWING IS THE SOLE PROPERTY OF GTO ACCESS SYSTEMS, LLC. ANY REPRODUCTION IN PART OR AS A WHOLE WITHOUT WRITTEN PERMISSION OF GTO ACCESS SYSTEMS, LLC IS PROHIBITED.


| REV. | DESCRIPTION | DATE | APPROVED |
|------|------------------------|----------|----------|
| A | RELEASE PER ECO-020994 | 12/21/16 | |



LABEL,FCC/DOC,MTR3
 GTO P/N: 10014674
 MFG. PROCESS: PRINTED LABEL OR PAD PRINTING
 LABEL INK: PERMANENT WHITE
 LABEL MATERIAL: CLEAR ACETATE, ADHESIVE BACKED
 THICKNESS: .0015"
 PAD PRINTING INK: WHITE (MAXCIM P/N 213337-001)
 SCALE: 1-1

UNLESS OTHERWISE SPECIFIED:
 WHEN DIMENSIONS ARE IN INCHES TOLERANCES:
 FRACTIONAL ±1/16
 ANGULAR: ± 2°
 .XX = ±.01
 .XXX = ±.005

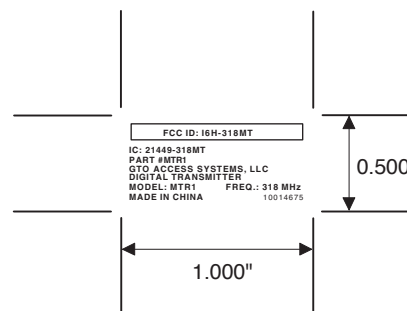
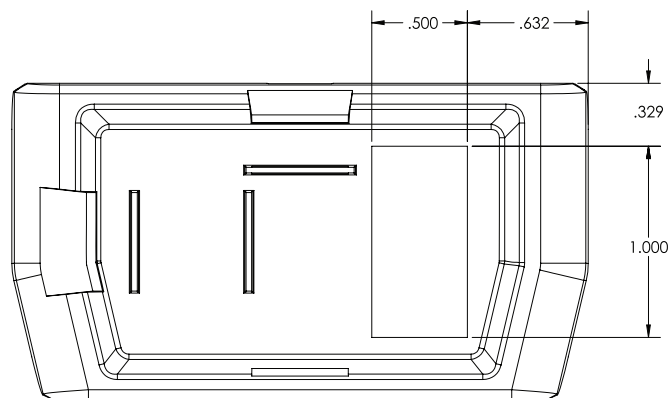
WHEN DIMENSIONS ARE IN mm TOLERANCES:
 ANGULAR: ± 2°
 Xmm = ±1mm
 XXmm = ±.5mm
 XXXmm = ±.15mm

| | | |
|--|-----------|--|
| MATERIAL: | DRAWN: |  3121 HARTSFIELD ROAD TALLAHASSEE, FL 32303 |
| | CHECKED: | |
| | ENG APPR: | |
| | MFG APPR: | |
| INK: | Q.A. | TITLE: ARTWORK, FCC Label, MTR3 |
| NOTES: For mechanical details see Drawing 10012858-001 and 10012859-001 | | SIZE: A DRAWING/PART NUMBER: 10014674 REV: A |
| | | SCALE: 1:1 WEIGHT: SHEET 1 OF 1 |

PROPRIETARY AND CONFIDENTIAL

THE INFORMATION CONTAINED IN THIS DRAWING IS THE SOLE PROPERTY OF GTO ACCESS SYSTEMS, LLC. ANY REPRODUCTION IN PART OR AS A WHOLE WITHOUT WRITTEN PERMISSION OF GTO ACCESS SYSTEMS, LLC IS PROHIBITED.


| REV. | DESCRIPTION | DATE | APPROVED |
|------|------------------------|----------|----------|
| A | RELEASE PER ECO-020994 | 12/21/16 | |



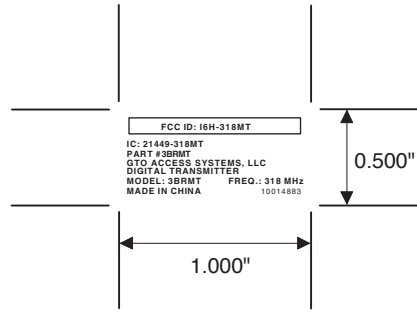
LABEL,FCC/DOC,MTR1
 GTO P/N: 10014675
 MFG. PROCESS: PRINTED LABEL OR PAD PRINTING
 LABEL INK: PERMANENT WHITE
 LABEL MATERIAL: CLEAR ACETATE, ADHESIVE BACKED
 THICKNESS: .0015"
 PAD PRINTING INK: WHITE (MAXCIM P/N 213337-001)
 SCALE: 1-1

UNLESS OTHERWISE SPECIFIED:
 WHEN DIMENSIONS ARE IN INCHES TOLERANCES:
 FRACTIONAL ±1/16
 ANGULAR: ± 2°
 .XX = ±.01
 .XXX = ±.005


WHEN DIMENSIONS ARE IN mm TOLERANCES:
 ANGULAR: ± 2°
 Xmm = ±1mm
 XXmm = ±.5mm
 XXXmm = ±.15mm

| | | |
|--|-----------|--|
| MATERIAL: | DRAWN: |  3121 HARTSFIELD ROAD TALLAHASSEE, FL 32303 |
| INK: | CHECKED: | |
| NOTES: For mechanical details see Drawing 10012858-001 and 10012859-001 | ENG APPR: | |
| | MFG APPR: | |
| | Q.A. | TITLE: ARTWORK, FCC Label, MTR1 |
| | | SIZE: A DRAWING/PART NUMBER: 10014675 REV: A |
| | | SCALE: 1:1 WEIGHT: SHEET 1 OF 1 |

| REV | DESCRIPTION | DATE | APPROVED |
|-----|------------------------|------------|----------|
| A | RELEASE PER ECO-020233 | 12/21/2016 | |

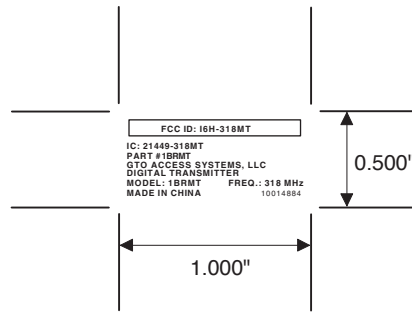


LABEL,FCC/IC,3BRMT
GTO P/N: 10014883
MFG. PROCESS: PRINTED LABEL OR PAD PRINTING
LABEL INK: PERMANENT WHITE
LABEL MATERIAL: CLEAR ACETATE, ADHESIVE BACKED
THICKNESS: .0015"
PAD PRINTING INK: WHITE (MAXCIM P/N 213337-001)
SCALE: 1-1


| | | | | | | |
|--|--|-----------|--|---------------------------------------|---------------|--------------|
| UNLESS OTHERWISE SPECIFIED: WHEN DIMENSIONS ARE IN INCHES TOLERANCES: FRACTIONAL $\pm 1/16$ ANGULAR: $\pm 2^\circ$.XX = $\pm .01$.XXX = $\pm .005$ | DRAWN | |  3121 HARTSFIELD ROAD TALLAHASSEE, FL 32303 | | | |
| | CHECKED | | | | | |
| | ENG APPR. | | | | | |
| | WHEN DIMENSIONS ARE IN mm TOLERANCES: ANGULAR: $\pm 2^\circ$.Xmm = ± 1 mm X.Xmm = $\pm .5$ mm X.XXmm = $\pm .15$ mm | MFG APPR. | | TITLE: LABEL, FCC/IC, 3BRMT | | |
| MATERIAL | | | SIZE: A | DWG. NO.: 10014883 | REV: A | |
| FINISH | | | SCALE: 1:1 | | WEIGHT: | SHEET 1 OF 1 |
| DO NOT SCALE DRAWING | | | | | | |

PROPRIETARY AND CONFIDENTIAL
THE INFORMATION CONTAINED IN THIS DRAWING IS THE SOLE PROPERTY OF GTO ACCESS SYSTEMS. ANY REPRODUCTION IN PART OR AS A WHOLE WITHOUT WRITTEN PERMISSION OF GTO ACCESS SYSTEMS IS PROHIBITED.

| REV | DESCRIPTION | DATE | APPROVED |
|-----|------------------------|------------|----------|
| A | RELEASE PER ECO-020233 | 12/21/2016 | |



LABEL,FCC/IC,1BRMT
 GTO P/N: 10014884
 MFG. PROCESS: PRINTED LABEL OR PAD PRINTING
 LABEL INK: PERMANENT WHITE
 LABEL MATERIAL: CLEAR ACETATE, ADHESIVE BACKED
 THICKNESS: .0015"
 PAD PRINTING INK: WHITE (MAXCIM P/N 213337-001)
 SCALE: 1-1

| | | | | | |
|---|---|-----------|---|---------------------------------------|--------------|
| UNLESS OTHERWISE SPECIFIED: WHEN DIMENSIONS ARE IN INCHES TOLERANCES: FRACTIONAL $\pm 1/16$ ANGULAR: $\pm 2^\circ$.XX = $\pm .01$.XXX = $\pm .005$ | DRAWN | |  3121 HARTSFIELD ROAD TALLAHASSEE, FL 32303 | | |
| | CHECKED | | | | |
| | ENG APPR. | | | | |
| | WHEN DIMENSIONS ARE IN mm TOLERANCES: ANGULAR: $\pm 2^\circ$ Xmm = ± 1 mm X.Xmm = $\pm .5$ mm X.XXmm = $\pm .15$ mm | MFG APPR. | | TITLE: LABEL, FCC/IC, 1BRMT | |
| MATERIAL | | | SIZE | DWG. NO. | REV |
| FINISH | | | A | 10014884 | A |
| DO NOT SCALE DRAWING | | | SCALE: 1:1 | WEIGHT: | SHEET 1 OF 1 |

PROPRIETARY AND CONFIDENTIAL
 THE INFORMATION CONTAINED IN THIS DRAWING IS THE SOLE PROPERTY OF GTO ACCESS SYSTEMS. ANY REPRODUCTION IN PART OR AS A WHOLE WITHOUT WRITTEN PERMISSION OF GTO ACCESS SYSTEMS IS PROHIBITED.