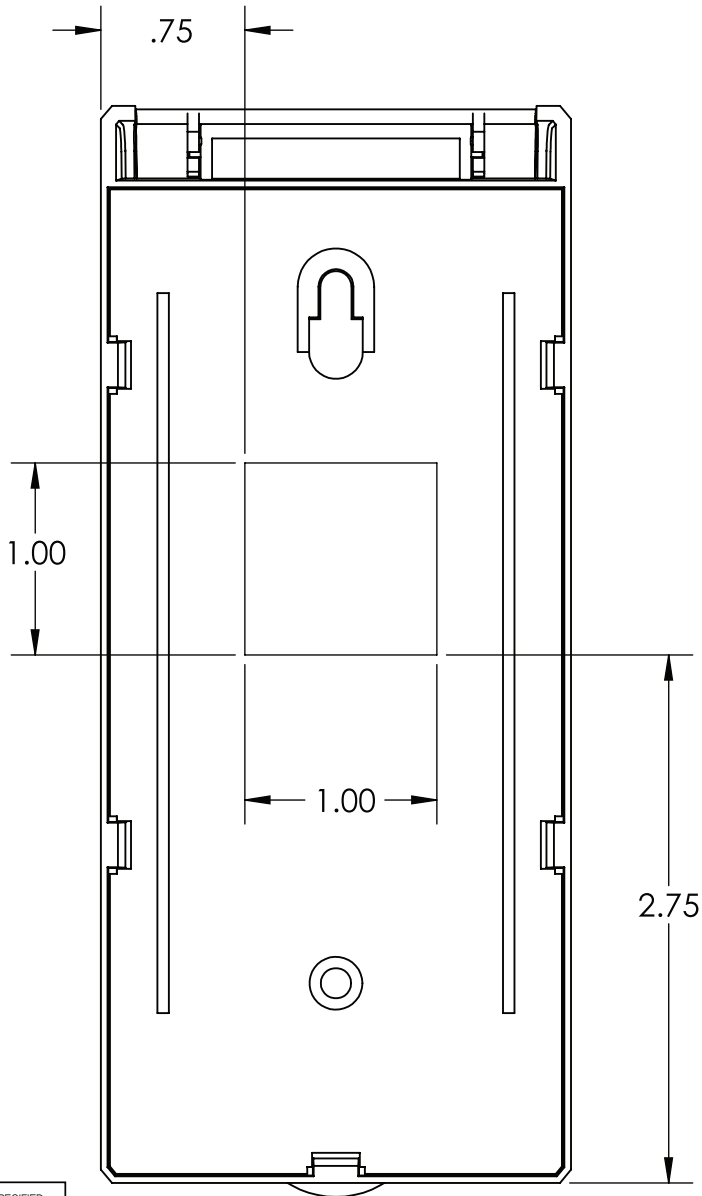


**PROPRIETARY AND CONFIDENTIAL**

THE INFORMATION CONTAINED IN THIS DRAWING IS THE SOLE PROPERTY OF GTO ACCESS SYSTEMS, LLC. ANY REPRODUCTION IN PART OR AS A WHOLE WITHOUT WRITTEN PERMISSION OF GTO ACCESS SYSTEMS, LLC IS PROHIBITED.

REV.	DESCRIPTION	DATE	APPROVED
B	ECO-021469-revised FCC ID/Model #	03/28/17	




**FCC ID: 16H-318MK1**  
**IC: 21449-318MK1**  
 This device complies with FCC rules Part 15. Operation is subject to the following two conditions: (1) This device may not cause harmful interference and (2) this device must accept any interference received, including interference that may cause undesired operation.

**GTO ACCESS SYSTEMS, LLC**  
 DIGITAL TRANSMITTER  
**MODEL: 10014676-01 FREQ.: 318 MHz**  
 MADE IN CHINA 10014676

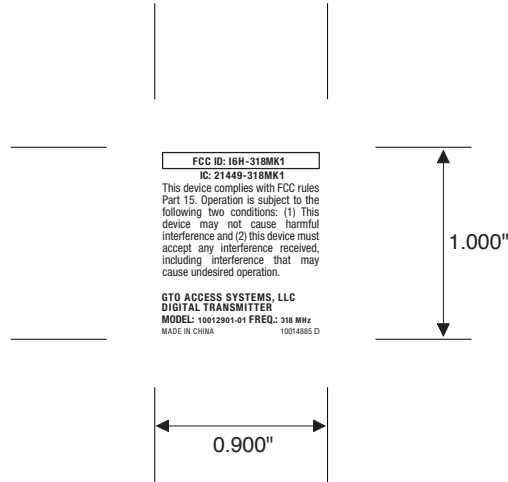
**LABEL, FCC/DOC, LPWKP**  
 GTO P/N: 10014676  
 MFG. PROCESS: PRINTED LABEL OR PAD PRINTING  
 LABEL INK: PERMANENT WHITE  
 LABEL MATERIAL: CLEAR ACETATE, ADHESIVE BACKED  
 THICKNESS: .0015"  
 PAD PRINTING INK: WHITE (MAXCIM P/N 213337-001)  
 SCALE: 1-1

UNLESS OTHERWISE SPECIFIED:  
 WHEN DIMENSIONS ARE IN INCHES TOLERANCES:  
 FRACTIONAL ±1/16  
 ANGULAR: ± 2°  
 .XX = ±.01  
 .XXX = ±.005


WHEN DIMENSIONS ARE IN mm TOLERANCES:  
 ANGULAR: ± 2°  
 Xmm = ±1mm  
 XXmm = ±.5mm  
 XXXmm = ±.15mm

MATERIAL:	DRAWN:	 3121 HARTSFIELD ROAD TALLAHASSEE, FL 32303
INK:	CHECKED:	
NOTES:	ENG APPR:	
	MFG APPR:	
	Q.A.	TITLE: <b>ARTWORK, FCC Label, LPWKP</b>
		SIZE: <b>A</b> DRAWING/PART NUMBER: <b>10014676</b> REV: <b>B</b>
		SCALE: 1:1 WEIGHT: SHEET 1 OF 1

REV	DESCRIPTION	DATE	APPROVED
A	RELEASE PER ECO-021041	01/04/2017	
B	RELEASE PER ECO-020994	01/12/2017	
C	RELEASE PER ECO-021231	02/10/2017	
D	Revised per ECO-021469; modified FCC/IC-ID & Model#	03/28/17	



LABEL, FCC/IC, WLKP  
 GTO P/N: 10014885  
 MFG. PROCESS: PRINTED LABEL OR PAD PRINTING  
 LABEL INK: PERMANENT BLACK  
 LABEL MATERIAL: CLEAR ACETATE, ADHESIVE BACKED  
 THICKNESS: .0015"  
 PAD PRINTING INK: BLACK (MAXCIM P/N 213337-002)  
 SCALE: 1-1

UNLESS OTHERWISE SPECIFIED: WHEN DIMENSIONS ARE IN INCHES TOLERANCES: FRACTIONAL: ± 1/16 ANGULAR: ± 2° .XX = ± .01 .XXX = ± .005	DRAWN		 <b>ACCESS SYSTEMS, LLC</b> 3121 HARTSFIELD ROAD TALLAHASSEE, FL 32303		
	CHECKED				
	ENG APPR.				
	WHEN DIMENSIONS ARE IN mm TOLERANCES: ANGULAR: ± 2° Xmm = ± 1mm X.Xmm = ± .5mm X.XXmm = ± .15mm	MFG APPR.		TITLE: <b>LABEL, FCC/IC, WLKP</b>	
MATERIAL			SIZE: <b>A</b>	DWG. NO.: <b>10014885</b>	REV: <b>D</b>
FINISH			SCALE: 1:1   WEIGHT:   SHEET 1 OF 1		
DO NOT SCALE DRAWING					

**PROPRIETARY AND CONFIDENTIAL**  
 THE INFORMATION CONTAINED IN THIS DRAWING IS THE SOLE PROPERTY OF GTO ACCESS SYSTEMS. ANY REPRODUCTION IN PART OR AS A WHOLE WITHOUT WRITTEN PERMISSION OF GTO ACCESS SYSTEMS IS PROHIBITED.