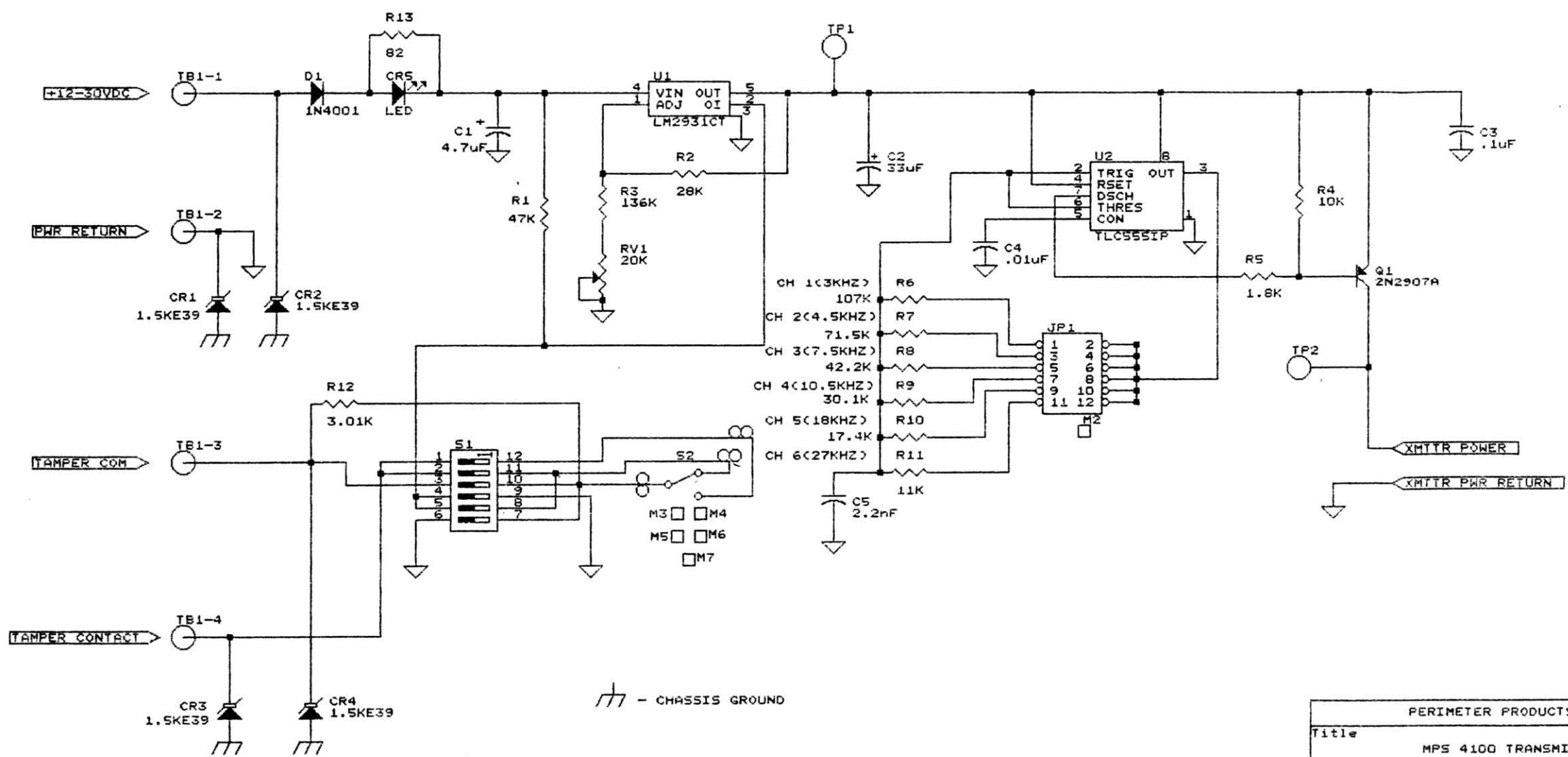


| | | | |
|---|----------------------------|---------|-----|
| | | | REV |
| A | CHANGE C1 FROM .1 TO 4.7uF | 6/21/96 | RCW |
| | | | |
| | | | |
| | | | |
| | | | |



⏏ - CHASSIS GROUND

| | | |
|-------------------------------|------------------------------|----------|
| PERIMETER PRODUCTS INC. | | |
| Title MPS 4100 TRANSMITTER | | |
| Size B | Document Number 00-220100 | REV A |
| Date: June 21, 1996 | Sheet 2 | of 1 |