

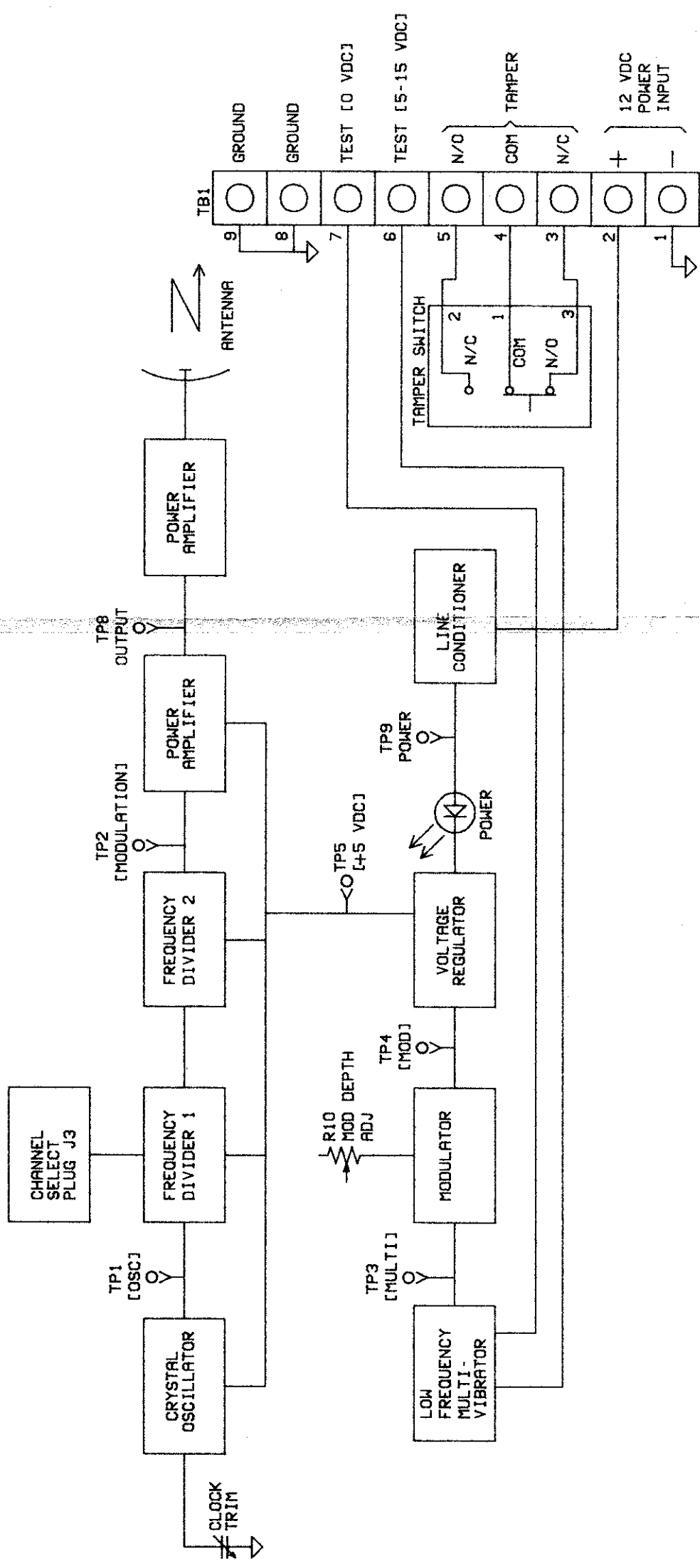
1

2

3

4

ADCN	REVISION	
ZONE	DESCRIPTION	DATE
LTR		APPROVED



14100  
Exhibit B

<b>VRACON</b> INC.		DATE	5/4/86
TITLE		CONTRACT NO.	
BLOCK DIAGRAM XMTR LOW CURRENT		DRAWN	BW Cooper
SIZE	CODE IDENT. NO.	CHECKED	
<b>B</b>	<b>59260</b>	ENG	
DWG NO.	MODEL NO.	QA	
BD10053-102-01		MFG	
REV		FINISH	
		APPLICATION	
SCALE	DO NOT SCALE DWG	SHT	1 OF 1

14100 EXHIBIT B

2

3

4

B

A

B

A