

ZONE	LTR	DESCRIPTION	DATE	APPROVED

D

C

B

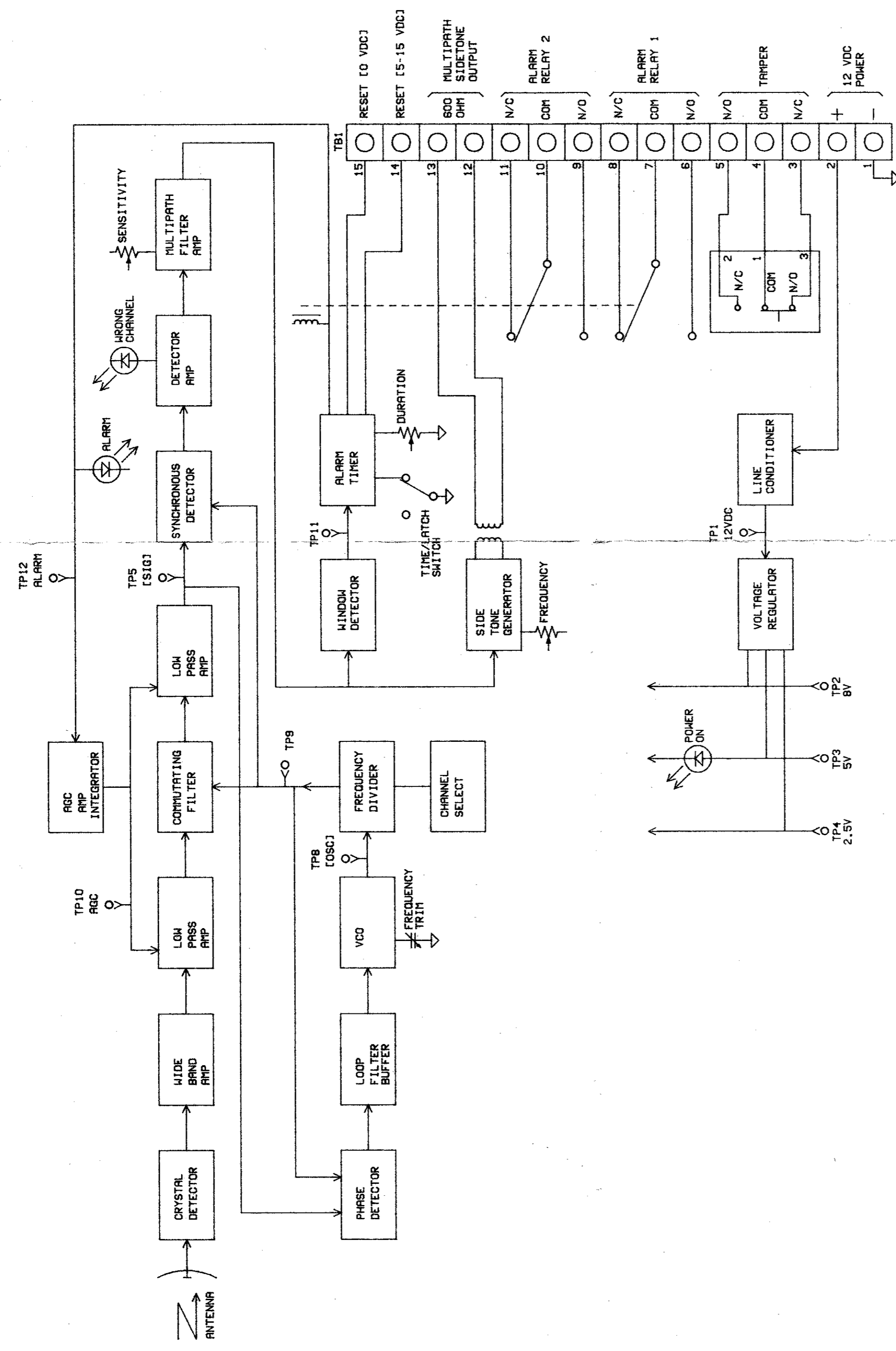
A

D

C

B

A



1/100 Exhibit C

ITEM NO.	PART NUMBER	DESCRIPTION	REF DESIG	MFR.	MFR. P/N

PARTS LIST

IRACON INC.	
TITLE BLOCK DIAGRAM RECEIVER LOW CURRENT	
SIZE C	FSCM 59260
DWG NO. BD10053-103-XX	REV
SCALE	MODEL NO.
DO NOT SCALE DWG	SHT OF

CONTRACT NO. DRAWN <i>BW Cooper</i> CHECKED ENG OA MFG	DATE <i>3/1/66</i>
UNLESS OTHERWISE SPECIFIED TOLERANCES ARE: LINEAR ±.XX = ANGULAR =	INCHES MM
MATERIAL	FINISH
NEXT ASSY USED ON	APPLICATION

1

2

3

4