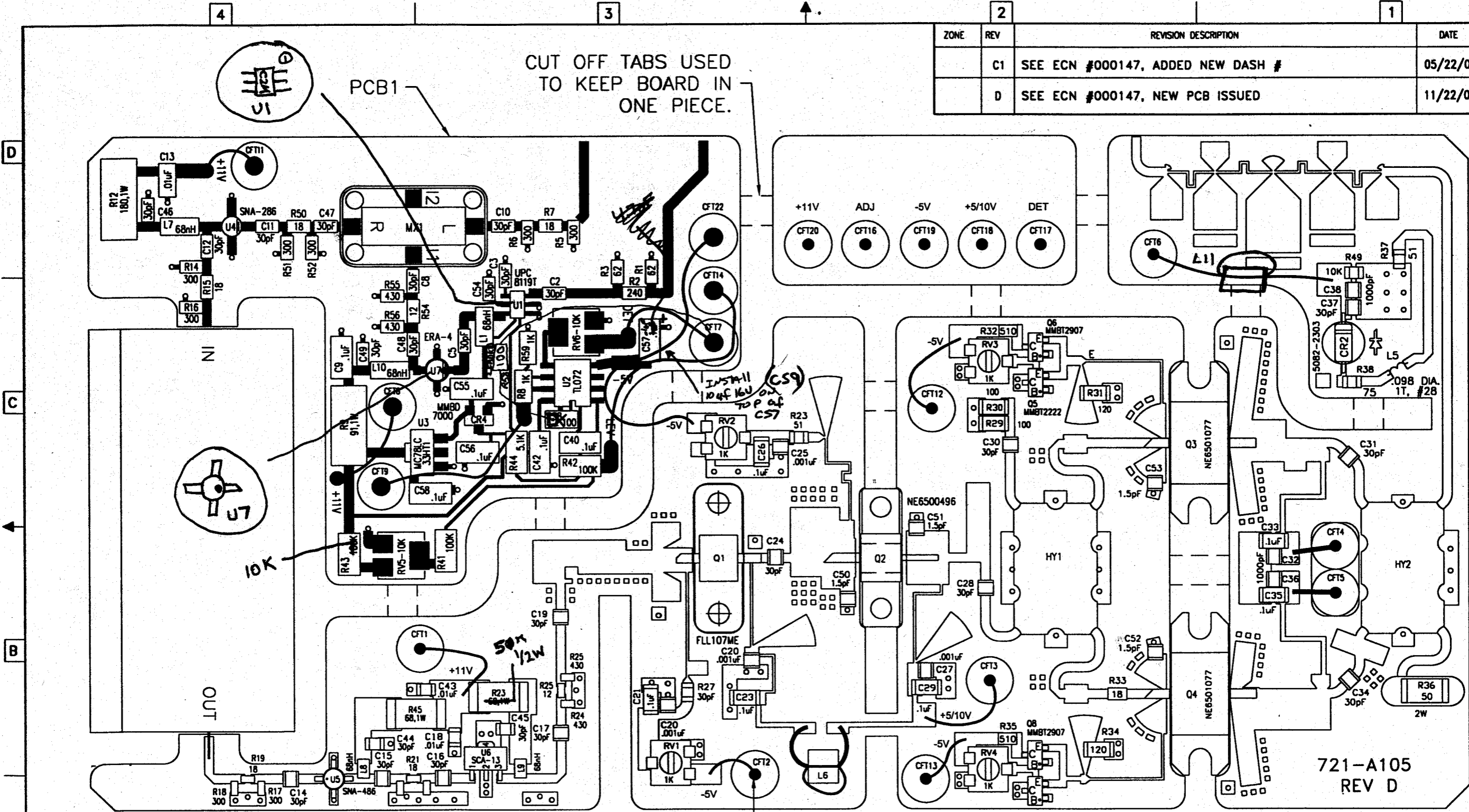


ZONE	REV	REVISION DESCRIPTION	DATE	CHG BY	APPRO
	C1	SEE ECN #000147, ADDED NEW DASH #	05/22/00	JAG	JBP
	D	SEE ECN #000147, NEW PCB ISSUED	11/22/00	JAG	JBP

CUT OFF TABS USED TO KEEP BOARD IN ONE PIECE.

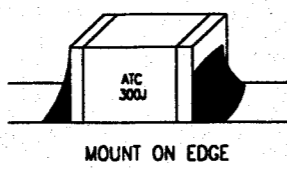


721-A105  
REV D

MASTER

WIRE COLOR CHART	
ADJUST	#28AWG WHT/BRN TEFLON
DET/MET.	#28AWG WHT/ORG TEFLON
+11V	#28AWG YELLOW TEFLON
-5V	#28AWG BLUE/WHT TEFLON
+5/10V	#28AWG YEL/WHT TEFLON

NOTE: ATC CAPACITORS MUST BE MOUNTED SUCH THAT MARKING IS ON THE SIDE OF THE CAPACITOR, NOT FACING UP OR DOWN. (SEE PICTURE BELOW)



USE #28AWG TEFLON WIRE FOR ALL CONNECTIONS, SEE WIRE COLOR CHART FOR CORRECT COLOR OF WIRE.

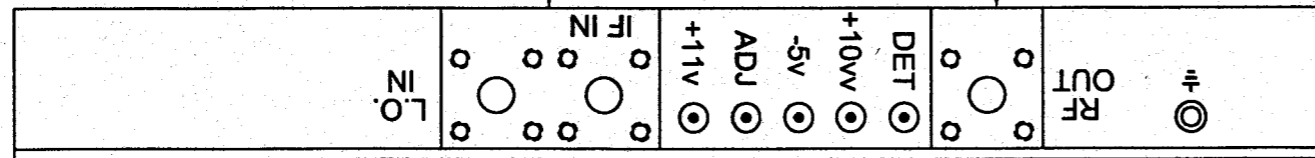
UNLESS OTHERWISE SPECIFIED DIMENSIONS ARE IN INCHES. DO NOT SCALE PRINT	APPLICATIONS	CONTRACT NO.:
TOLERANCE ON	NEXT ASSY	
ANGLES .XX .XXX		DWN: JAG
0°-15' ±.01 ±.005		CHK:
MACHINE SURFACE EXCEPT AS NOTED		ME:
SCHEMATIC		EE: JBP
		QC:
		DATE: 01/07/00

**Nummm** 101 BILBY ROAD  
BUILDING 1  
HACKETTSTOWN, N.J. - 07840

**ASSEMBLY**  
**2.0-2.7 GHz 12 WATT**  
**POWER AMPLIFIER**

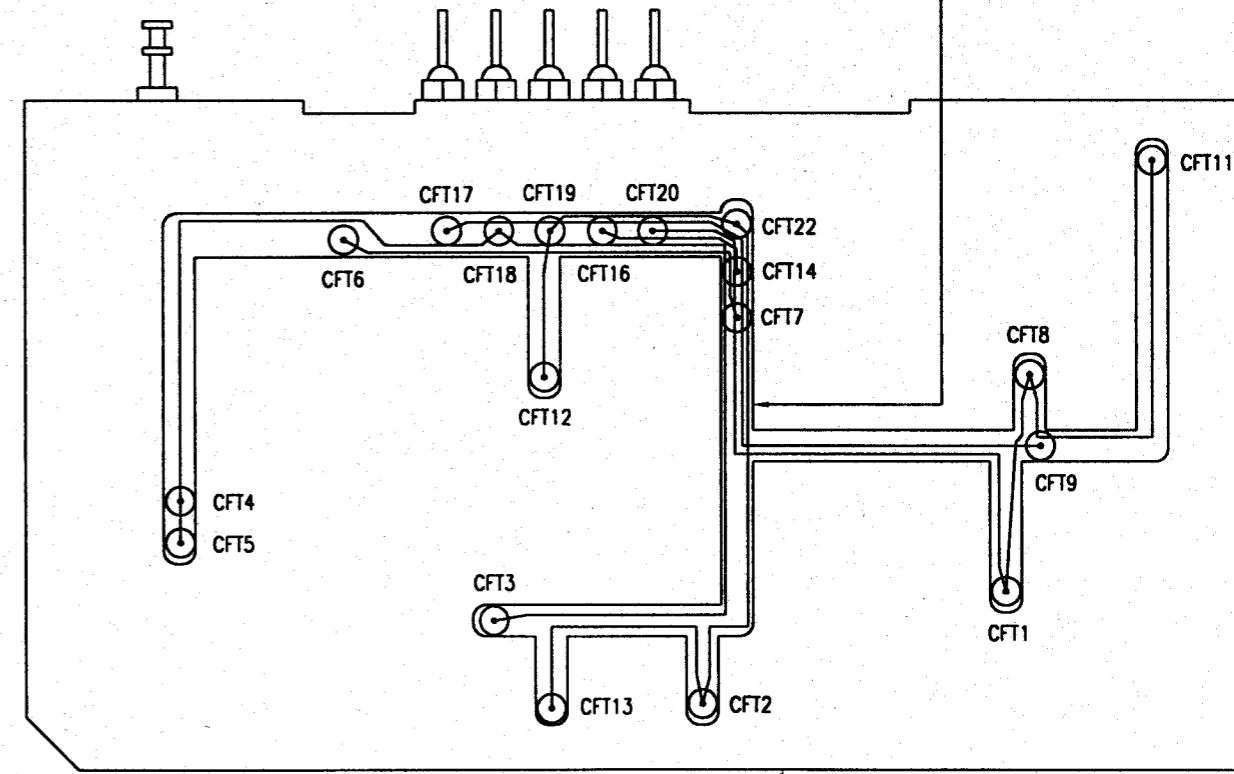
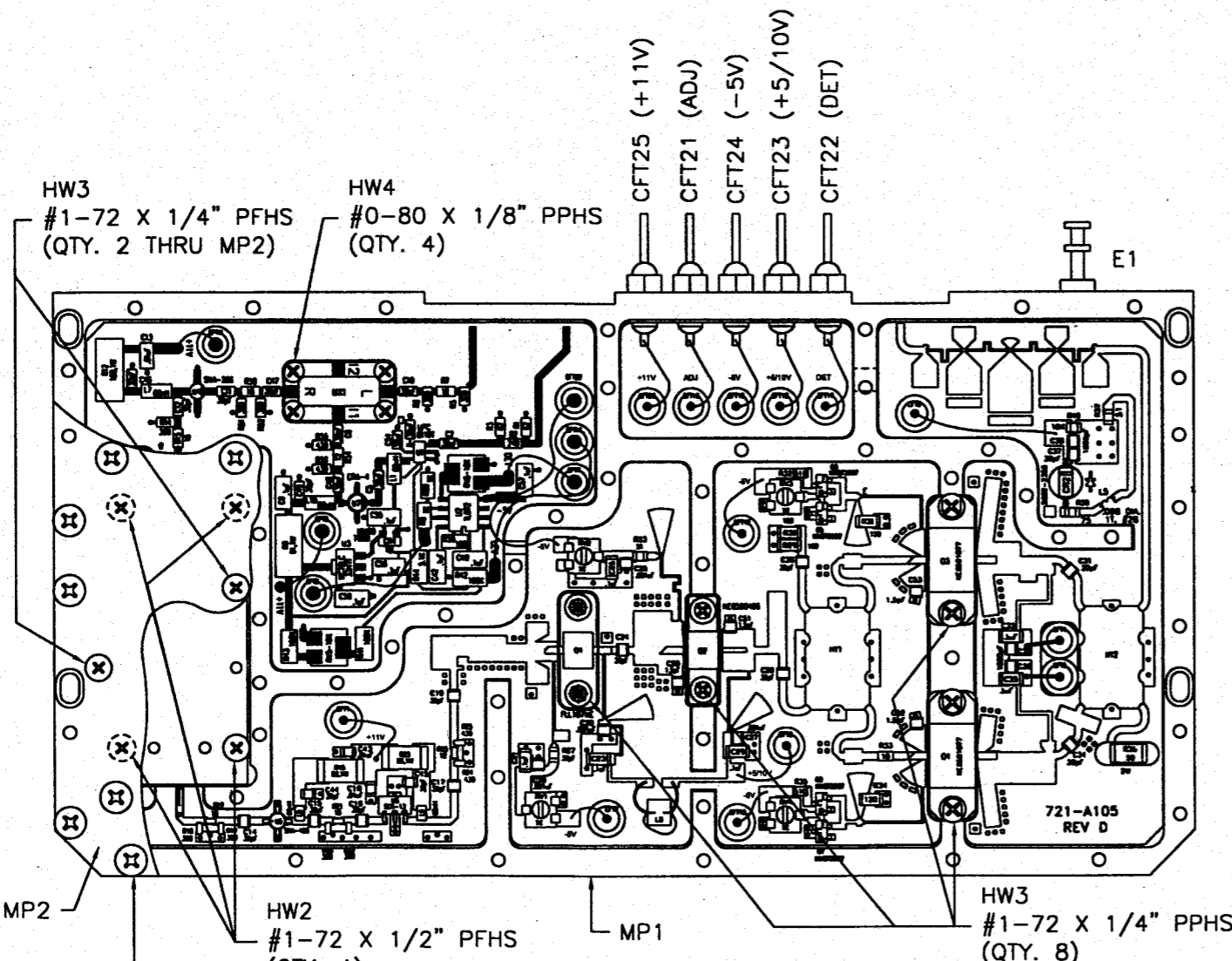
SIZE B	FSCM NO. 0NG51	DWG NO. AS902-A105-00DB
SCALE: 1=1	FILE #: A105D001.DWG	SHEET 1 OF 2

SEE 901 DWG'S FOR APPROPRIATE CONNECTORS.



ZONE	REV	REVISION DESCRIPTION	DATE	CHG BY
	C1	SEE ECN #000147, ADDED DASH #	05/22/00	JAG
	D	SEE ECN #000147, NEW PCB ISSUED	02/09/01	JAG

NOTE: RTV WIRES TO CORNERS & FLOOR AS NEEDED TO KEEP THEM SECURE.



HW3 #1-72 X 1/4" PFHS (QTY. 2 THRU MP2)  
 HW4 #0-80 X 1/8" PPHS (QTY. 4)  
 HW2 #1-72 X 1/2" PFHS (QTY. 4)  
 HW1 #2-56 X 3/16" PFHS (QTY. 51)  
 MP2  
 MP1  
 HW3 #1-72 X 1/4" PPHS (QTY. 8)

CFT CONNECTION CHART CONNECTIONS ON BOTTOM SIDE

DET	CFT6 TO CFT7
ADJ	CFT14 TO CFT16
MET	CFT9 TO CFT17
+11V	CFT11 TO CFT8, CFT8 TO CFT1, CFT1 TO CFT20
-5V	CFT13 TO CFT2, CFT2 TO CFT22, CFT22 TO CFT19, CFT12 TO CFT19
+5/10V	CFT5 TO CFT4, CFT4 TO CFT18, CFT3 TO CFT18

WIRE COLOR CHART	
ADJ	#28AWG WHT/BRN TEFLON
DET/MET	#28AWG WHT/ORG TEFLON
+11V	#28AWG YELLOW TEFLON
-5V	#28AWG BLUE/WHT TEFLON
+5/10V	#28AWG YEL/WHT TEFLON

USE #28AWG TEFLON WIRE FOR ALL CONNECTIONS.

MASTE

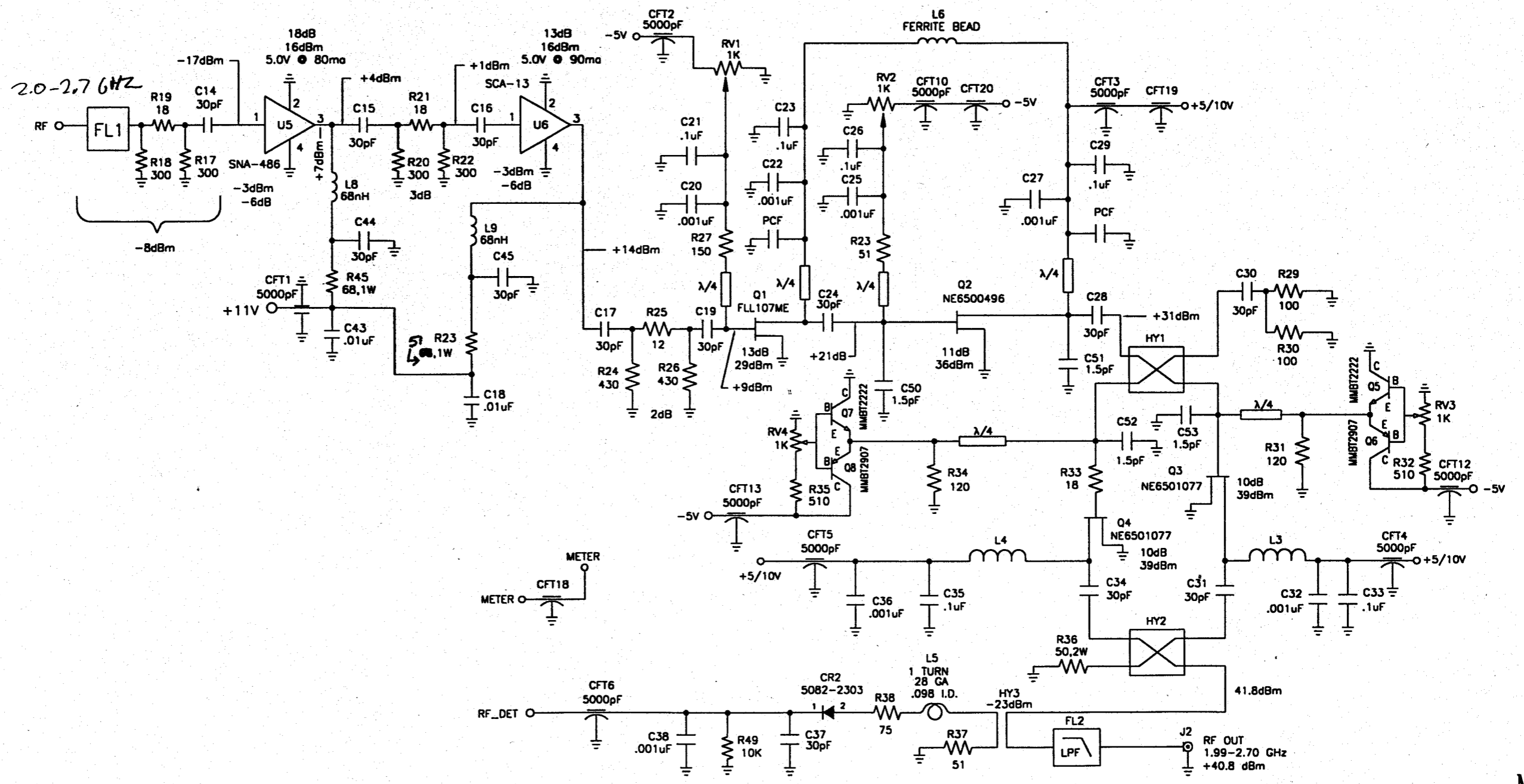
UNLESS OTHERWISE SPECIFIED DIMENSIONS ARE IN INCHES. DO NOT SCALE PRINT	APPLICATIONS		CONTRACT NO.:	
	NEXT ASSY		DWN: JAG	DATE 01/18/00
	TOLERANCE ON		CHK:	
	ANGLES	.XX .XXX	ME:	
	0°-15'	±.01 ±.005	EE: JBP	2/23/00
MACHINE SURFACE 64 EXCEPT AS NOTED		QC:		
SCHEMATIC				

**NuComm** 101 BILBY ROAD BUILDING 1 HACKETTSTOWN, N.J.

**ASSEMBLY**  
**2.0-2.7 GHz 12 WATT**  
**POWER AMPLIFIER**

SIZE B	FSCM NO. 0NG51	DWG NO. AS902-A105-00DB
SCALE: ~	FILE #: A105D002.DWG	SHEET 2 0

ZONE	REV	REVISION DESCRIPTION	DATE	CHG BY
	C1	SEE ECN #000147, ADDED DASH #	05/22/00	JAG
	D	SEE ECN #000147, NEW PCB ISSUED	11/07/00	JAG



UNLESS OTHERWISE SPECIFIED DIMENSIONS ARE IN INCHES. DO NOT SCALE PRINT TOLERANCE ON ANGLES .XX .XXX 0°-15' ±.01 ±.005 MACHINE SURFACE EXCEPT AS NOTED 64 ✓ SCHEMATIC	APPLICATIONS	CONTRACT NO.:	101 BILBY ROAD BUILDING 1 HACKETTSTOWN, N.J.	
	NEXT ASSY	DWN: JAG		DATE: 12/16/99
		CHK:		
		ME:		
	EE: JBP	2/23/00	SCHEMATIC 2.0-2.7 GHz 12 WATT POWER AMPLIFIER	
	QC:			
			SIZE B FSCM NO. 0NG51 DWG NO. SC902-A105-00DB SCALE: ~ FILE #: A105D001.DWG SHEET 1 0	

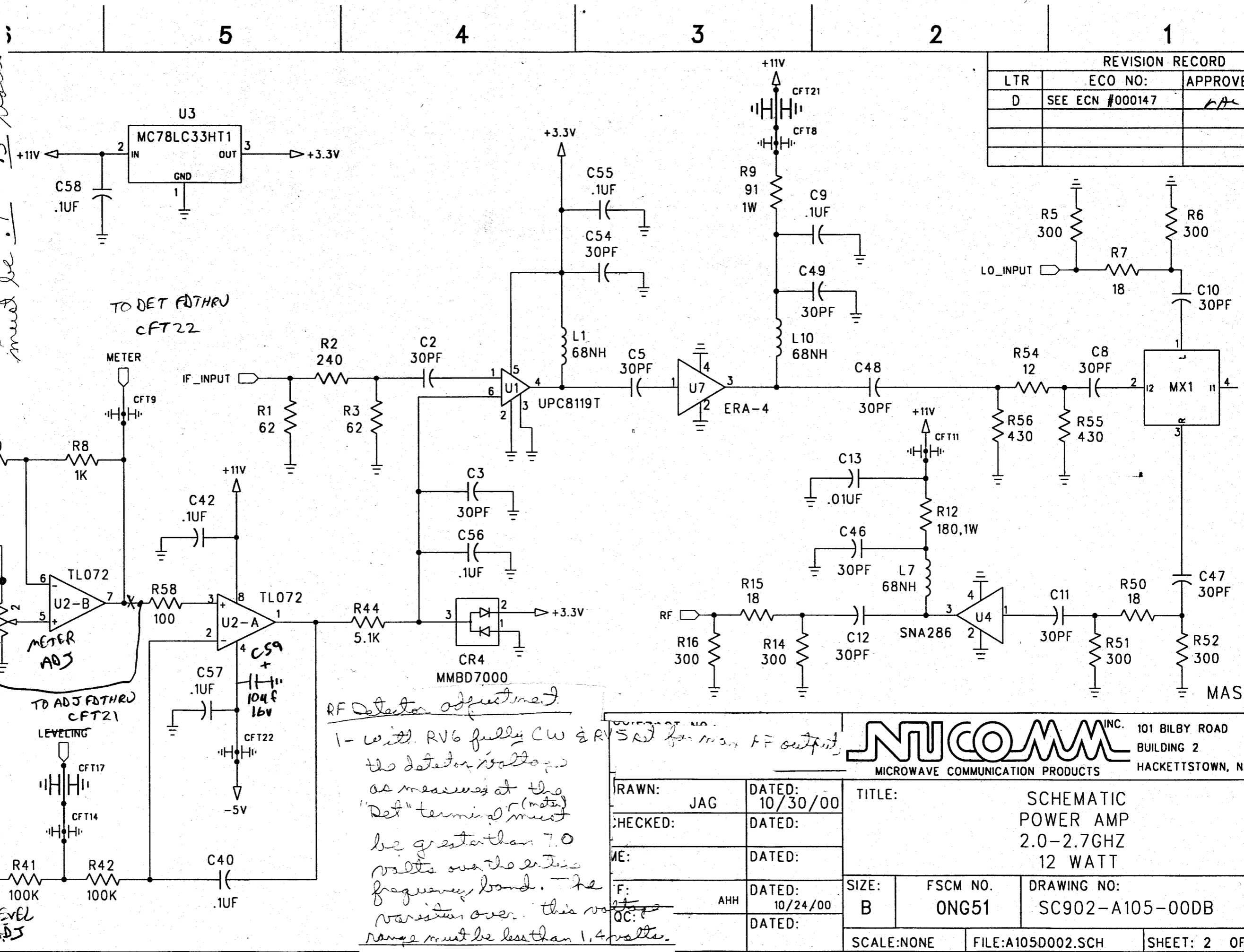
MAST

2 - meter / level adj.

A - Set RV5 for maximum output power -  
B - adj. RV6 for 3.5 ± .1 volts at the "Det" terminal  
C - Reduce the RF output by RV5 by 6 dB. The "Det" voltage must be .7 ± .3 volts min.

B

A



REVISION RECORD		
LTR	ECO NO:	APPROVED
D	SEE ECN #000147	CA

RF Detector adjustment  
 1 - With RV6 fully CW & RV5 set for max RF output, the detector voltage as measured at the "Det" terminal must be greater than 7.0 volts over the entire frequency band. The variation over this voltage range must be less than 1.4 volts.

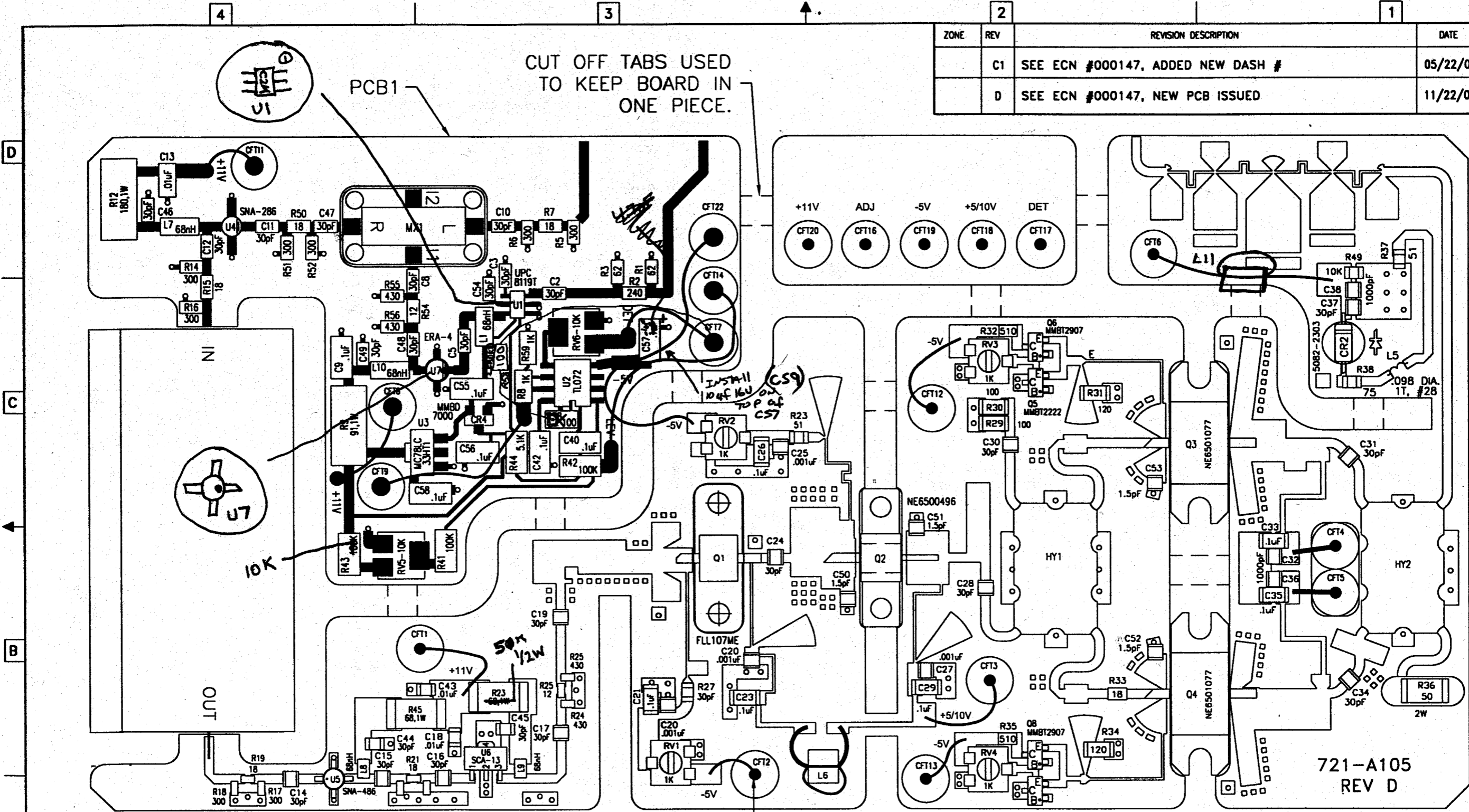
101 BILBY ROAD  
BUILDING 2  
HACKETTSTOWN, N.J.

**JNICOMM** INC.  
MICROWAVE COMMUNICATION PRODUCTS

DRAWN: JAG	DATED: 10/30/00	TITLE: SCHEMATIC POWER AMP 2.0-2.7GHZ 12 WATT	
CHECKED:	DATED:	SIZE: B	FSCM NO. ONG51
DATE:	DATED:	DRAWING NO: SC902-A105-00DB	
DATE:	DATED: 10/24/00	SCALE: NONE	FILE: A105D002.SCH
DATE:	DATED:	SHEET: 2 OF	

ZONE	REV	REVISION DESCRIPTION	DATE	CHG BY	APPRO
	C1	SEE ECN #000147, ADDED NEW DASH #	05/22/00	JAG	JBP
	D	SEE ECN #000147, NEW PCB ISSUED	11/22/00	JAG	JBP

CUT OFF TABS USED TO KEEP BOARD IN ONE PIECE.

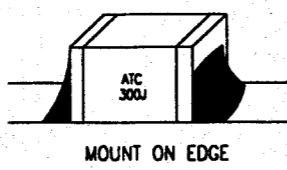


721-A105 REV D

MASTER

ADJUST	#28AWG WHT/BRN TEFLON
DET/MET.	#28AWG WHT/ORG TEFLON
+11V	#28AWG YELLOW TEFLON
-5V	#28AWG BLUE/WHT TEFLON
+5/10V	#28AWG YEL/WHT TEFLON

NOTE: ATC CAPACITORS MUST BE MOUNTED SUCH THAT MARKING IS ON THE SIDE OF THE CAPACITOR, NOT FACING UP OR DOWN. (SEE PICTURE BELOW)



USE #28AWG TEFLON WIRE FOR ALL CONNECTIONS, SEE WIRE COLOR CHART FOR CORRECT COLOR OF WIRE.

UNLESS OTHERWISE SPECIFIED DIMENSIONS ARE IN INCHES. DO NOT SCALE PRINT	APPLICATIONS	CONTRACT NO.:
TOLERANCE ON	NEXT ASSY	
ANGLES .XX .XXX		DWN: JAG
0°-15' ±.01 ±.005		CHK:
MACHINE SURFACE EXCEPT AS NOTED		ME:
SCHEMATIC		EE: JBP
		QC:
		DATE: 01/07/00

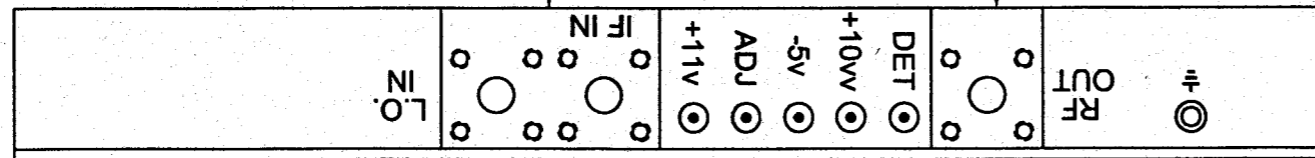
**Nummm™** 101 BILBY ROAD BUILDING 1 HACKETTSTOWN, N.J. - 07840

## ASSEMBLY

### 2.0-2.7 GHz 12 WATT POWER AMPLIFIER

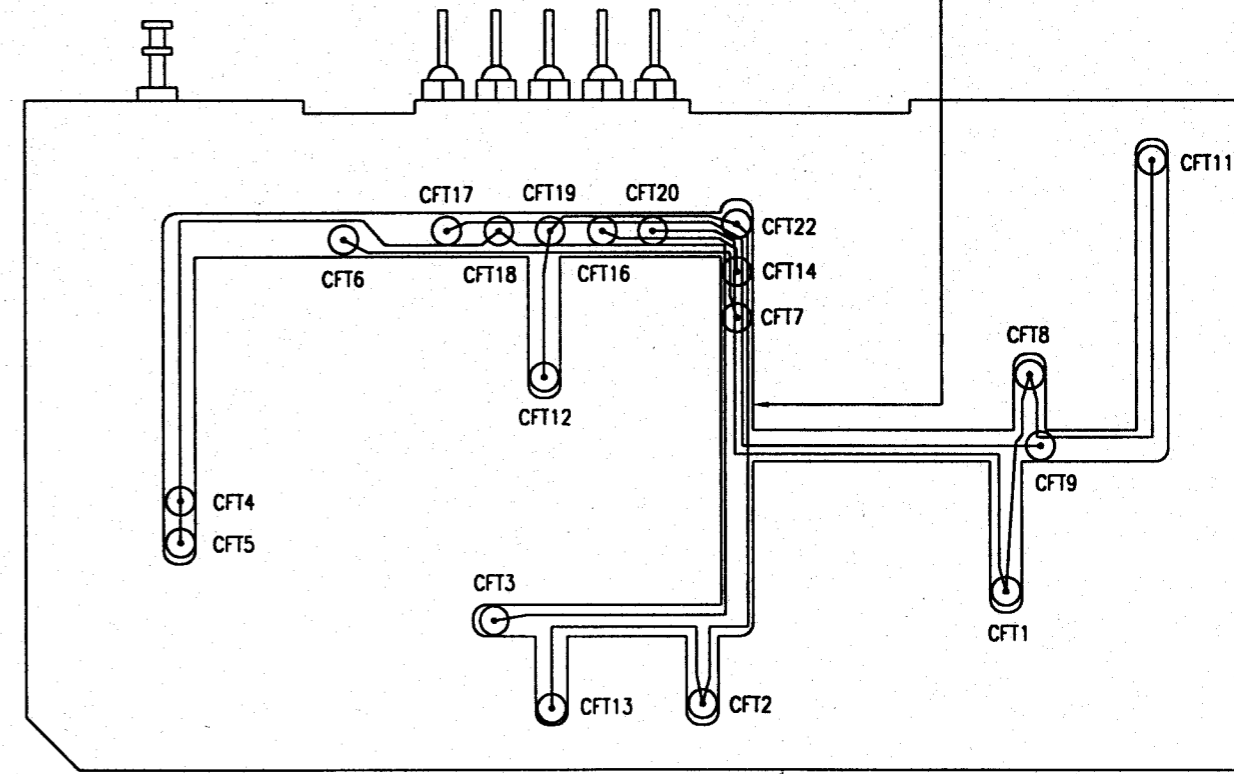
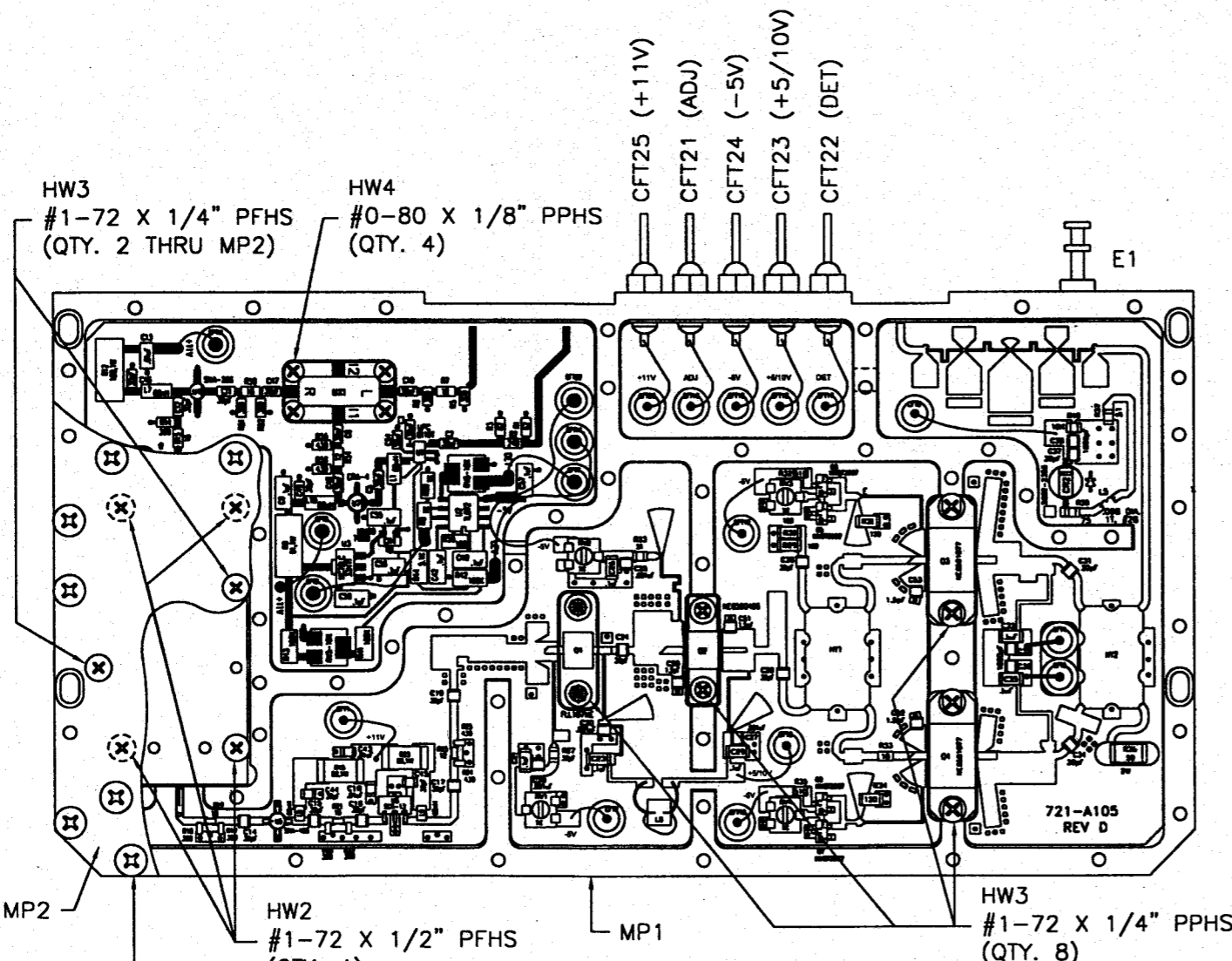
SIZE B	FSCM NO. 0NG51	DWG NO. AS902-A105-00DB
SCALE: 1=1	FILE #: A105D001.DWG	SHEET 1 OF 2

SEE 901 DWG'S FOR APPROPRIATE CONNECTORS.



ZONE	REV	REVISION DESCRIPTION	DATE	CHG BY
	C1	SEE ECN #000147, ADDED DASH #	05/22/00	JAG
	D	SEE ECN #000147, NEW PCB ISSUED	02/09/01	JAG

NOTE: RTV WIRES TO CORNERS & FLOOR AS NEEDED TO KEEP THEM SECURE.



HW3 #1-72 X 1/4" PFHS (QTY. 2 THRU MP2)  
 HW4 #0-80 X 1/8" PPHS (QTY. 4)  
 HW1 #2-56 X 3/16" PFHS (QTY. 51)  
 HW2 #1-72 X 1/2" PFHS (QTY. 4)  
 HW3 #1-72 X 1/4" PPHS (QTY. 8)  
 MP1  
 MP2

CFT CONNECTION CHART CONNECTIONS ON BOTTOM SIDE

DET	CFT6 TO CFT7
ADJ	CFT14 TO CFT16
MET	CFT9 TO CFT17
+11V	CFT11 TO CFT8, CFT8 TO CFT1, CFT1 TO CFT20
-5V	CFT13 TO CFT2, CFT2 TO CFT22, CFT22 TO CFT19, CFT12 TO CFT19
+5/10V	CFT5 TO CFT4, CFT4 TO CFT18, CFT3 TO CFT18

WIRE COLOR CHART	
ADJ	#28AWG WHT/BRN TEFLON
DET/MET	#28AWG WHT/ORG TEFLON
+11V	#28AWG YELLOW TEFLON
-5V	#28AWG BLUE/WHT TEFLON
+5/10V	#28AWG YEL/WHT TEFLON

USE #28AWG TEFLON WIRE FOR ALL CONNECTIONS.

MASTE

UNLESS OTHERWISE SPECIFIED DIMENSIONS ARE IN INCHES. DO NOT SCALE PRINT	APPLICATIONS		CONTRACT NO.:	
	NEXT ASSY		DWN: JAG	DATE 01/18/00
	TOLERANCE ON		CHK:	
	ANGLES	.XX .XXX	ME:	
	0°-15'	±.01 ±.005	EE: JBP	2/23/00
MACHINE SURFACE 64 EXCEPT AS NOTED		QC:		
SCHEMATIC				

**NuComm** 101 BILBY ROAD BUILDING 1 HACKETTSTOWN, N.J.

**ASSEMBLY**  
**2.0-2.7 GHz 12 WATT**  
**POWER AMPLIFIER**

SIZE B	FSCM NO. 0NG51	DWG NO. AS902-A105-00DB
SCALE: ~	FILE #: A105D002.DWG	SHEET 2 0