

ANTENNA FACTOR PART NUMBER

ANT-2.4-CW-HWR-SMA



REV	BY	DESCRIPTION	DATE
-----	----	-------------	------



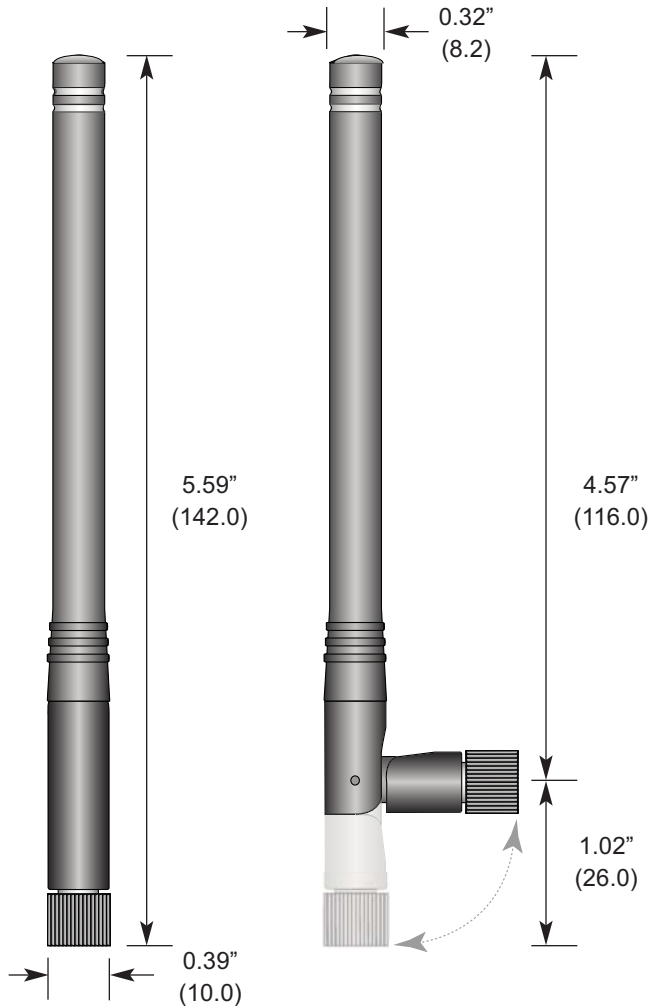
200 INTERNATIONAL DRIVE
BUDD LAKE, NJ 07828

TITLE:
ANTENNA 2.4GHZ
1/2WAV WHIP SMA

DWN KAM	DATE 11/23/10	DWG NO. 931-0005-000-R	REV
CHK <i>efc</i>	DATE 02/24/11		

QA	SCALE: ~	FSCM NO. ONG51	SIZE A
----	-------------	-------------------	-----------

Product Dimensions



Description



HWR Series 1/2-wave center-fed dipole antennas deliver outstanding performance in a rugged and cosmetically attractive package. The articulating base allows the antenna to tilt 90 degrees and rotate 360 degrees. The antenna's internal counterpoise eliminates external ground plane dependence and maximizes performance. HWR Series antennas attach via a standard SMA or Part 15 compliant RP-SMA connector. Custom colors and connectors are available for volume OEM customers.

Features

- Internal counterpoise
- Low cost
- Tilts and rotates
- Omni-directional pattern
- Outstanding VSWR
- Rugged & damage-resistant
- Standard SMA or Part 15 compliant RP-SMA connector
- Custom colors and terminations for volume OEMs
- Internal O-ring seal on connector

Electrical Specifications

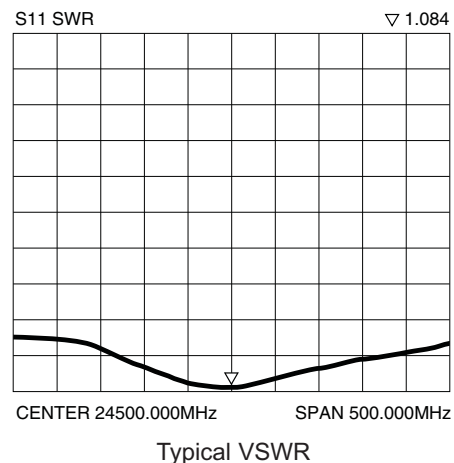
- Center Freq. 2.45GHz
- Recmd. Freq. Range 2.3-2.6GHz
- Wavelength 1/2-wave
- VSWR <2.0 typ. at center
- Impedance 50 ohms
- Connector RP-SMA or SMA

Electrical specifications and plots measured on 4.00" x 4.00" reference ground plane

Ordering Information

- ANT-2.4-CW-HWR-RPS (with RP-SMA connector)
- ANT-2.4-CW-HWR-SMA (with SMA connector)

Polar Plot & Gain Information



This document certifies that the Part Numbers listed in this document and manufactured by Linx Technologies, Antenna Factor, and Connector City do not to the knowledge of the certifier contain the substances listed in the table below in concentrations exceeding the Maximum Control Value (MCV), and will be compliant as of the date listed.

Substance	Maximum Control Value
Lead	0.1% by weight (1000 ppm) ⁽¹⁾
Mercury	0.1% by weight (1000 ppm)
Cadmium	0.01% by weight (100 ppm) ⁽¹⁾
Hexavalent Chromium	0.1% by weight (1000 ppm)
Polybrominated Biphenyls (PBB)	0.1% by weight (1000 ppm)
Polybrominated Diphenyl Ethers (PBDE)	0.1% by weight (1000 ppm)

(1) The MCV does not apply to applications for which exemptions have been granted to the RoHS Directive

Products containing the substances listed in the table above, in concentrations below the MCV, are understood to be in compliance with Directive 2002/95/EC of the European Parliament and of the Council of 27 January 2003 on the restriction of the use of certain hazardous substances in electrical and electronics equipment (RoHS Directive) in accordance with the definitions set forth in the directives.

RoHS Compliance by Part Number

Linx Part Number	Description	RoHS information		
		RoHS Compatible	Compliant Since	Planned start of production of RoHS compatible components
TXM-315-LC	LC Series RF Transmitter 315MHz	Yes	LOT# 1043	Now Available
TXM-418-LC	LC Series RF Transmitter 418MHz	Yes	LOT# 2189	Now Available
TXM-433-LC	LC Series RF Transmitter 433MHz	Yes	LOT# 3043	Note 1
RXM-315-LR	LR Series RF Receiver 315MHz	Yes	LOT# 10002	Now Available
RXM-418-LR	LR Series RF Receiver 418MHz	Yes	LOT# 10023	Now Available
RXM-433-LR	LR Series RF Receiver 433MHz	Yes	LOT# 10003	Now Available
TXM-315-LR	LR Series RF Transmitter 315MHz	Yes	LOT# 10001	Now Available
TXM-418-LR	LR Series RF Transmitter 418MHz	Yes	LOT# 10009	Now Available
TXM-433-LR	LR Series RF Transmitter 433MHz	Yes	LOT# 10003	Now Available
RXD-315-KH2	KH2 Series RF Receiver/Decoder 315MHz	Yes	Start of Production	Now Available
RXD-418-KH2	KH2 Series RF Receiver/Decoder 418MHz	Yes	Start of Production	Now Available
RXD-433-KH2	KH2 Series RF Receiver/Decoder 433MHz	Yes	Start of Production	Now Available
TXE-315-KH2	KH2 Series RF Transmitter/Encoder 315MHz	Yes	Start of Production	Now Available
TXE-418-KH2	KH2 Series RF Transmitter/Encoder 418MHz	Yes	Start of Production	Now Available
TXE-433-KH2	KH2 Series RF Transmitter/Encoder 433MHz	Yes	Start of Production	Now Available
TRM-315-LT	LT Series RF Transceiver 315MHz	Yes	Start of Production	Now Available
TRM-418-LT	LT Series RF Transceiver 418MHz	Yes	Start of Production	Now Available
TRM-433-LT	LT Series RF Transceiver 433MHz	Yes	Start of Production	Now Available
RXM-900-HP3-PPO	HP3 Series RF Receiver 900MHz 8-CH SIP Pack	Yes	LOT# 10008	Now Available
TXM-900-HP3-PPO	HP3 Series RF Transmitter 900MHz 8-CH SIP Pack	Yes	LOT# 10006	Now Available
RXM-900-HP3-PPS	HP3 Series RF Receiver 900MHz 8 and 100-CH SIP Pack	Yes	LOT# 10003	Now Available
TXM-900-HP3-PPS	HP3 Series RF Transmitter 900MHz 8 and 100-CH SIP Pack	Yes	LOT# 10002	Now Available
RXM-900-HP3-SPO	HP3 Series RF Receiver 900MHz 8-CH SMD Pack	No	LOT# TBD	Mar-2008, as inventories deplete
TXM-900-HP3-SPO	HP3 Series RF Transmitter 900MHz 8-CH SMD Pack	No	LOT# TBD	Mar-2008, as inventories deplete
RXM-900-HP3-SPS	HP3 Series RF Receiver 900MHz 8 and 100-CH SMD Pack	Yes	LOT# 10000	Now Available
TXM-900-HP3-SPS	HP3 Series RF Transmitter 900MHz 8 and 100-CH SMD Pack	Yes	LOT# 10000	Now Available
RXM-916-ES	ES Series RF Receiver 916MHz	Yes	LOT# 10017	Now Available
RXM-869-ES	ES Series RF Receiver 869MHz	Yes	LOT# 10000	Now Available
TXM-916-ES	ES Series RF Transmitter 916MHz	Yes	LOT# 10018	Now Available
TXM-869-ES	ES Series RF Transmitter 869MHz	Yes	LOT# 1000	Now Available

RoHS Compliance by Part Number

RXM-GPS-SG	SG Series GPS Receiver	Yes	Start of Production	Now Available
RXM-GPS-SR	SR Series GPS Receiver	Yes	Start of Production	Now Available
SDM-USB-QS-S	QS Series USB Module	Yes	LOT# 10004	Now Available
CMD-HHCP-315	8 Button Compact Handheld Transmitter 315MHz	Yes	JAN-2011	Now Available
CMD-HHCP-418	8 Button Compact Handheld Transmitter 418MHz	Yes	JAN-2011	Now Available
CMD-HHCP-433	8 Button Compact Handheld Transmitter 433MHz	Yes	JAN-2011	Now Available
CMD-HHCP-315-MD	8 Button Compact Handheld Transmitter 315MHz, Metal Dome Switch	Yes	JAN-2011	Now Available
CMD-HHCP-418-MD	8 Button Compact Handheld Transmitter 418MHz, Metal Dome Switch	Yes	JAN-2011	Now Available
CMD-HHCP-433-MD	8 Button Compact Handheld Transmitter 433MHz, Metal Dome Switch	Yes	JAN-2011	Now Available
CMD-HHLR-315	8 Button Long-Range Handheld Transmitter 315MHz	Yes	JAN-2011	Now Available
CMD-HHLR-418	8 Button Long-Range Handheld Transmitter 418MHz	Yes	JUL-2007	Now Available
CMD-HHLR-433	8 Button Long-Range Handheld Transmitter 433MHz	Yes	APR-2007	Now Available
CMD-HHLR-315-MD	8 Button Long-Range Handheld Transmitter 315MHz, Metal Dome Switch	Yes	JAN-2011	Now Available
CMD-HHLR-418-MD	8 Button Long-Range Handheld Transmitter 418MHz, Metal Dome Switch	Yes	JUL-2007	Now Available
CMD-HHLR-433-MD	8 Button Long-Range Handheld Transmitter 433MHz, Metal Dome Switch	Yes	APR-2007	Now Available
CMD-HHTX-315	8 Button Handheld Transmitter 315MHz	Yes	JAN-2011	Now Available
CMD-HHTX-418	8 Button Handheld Transmitter 418MHz	Yes	JAN-2011	Now Available
CMD-HHTX-433	8 Button Handheld Transmitter 433MHz	Yes	JAN-2011	Now Available
CMD-KEY1-315	1 Button Black Keyfob Transmitter 315MHz	Yes	AUG-2008	Now Available
CMD-KEY1-418	1 Button Black Keyfob Transmitter 418MHz	Yes	MAY-2007	Now Available
CMD-KEY1-433	1 Button Black Keyfob Transmitter 433MHz	Yes	AUG-2006	Now Available
CMD-KEY2-315	2 Button Black Keyfob Transmitter 315MHz	Yes	AUG-2008	Now Available
CMD-KEY2-418	2 Button Black Keyfob Transmitter 418MHz	Yes	MAY-2007	Now Available
CMD-KEY2-433	2 Button Black Keyfob Transmitter 433MHz	Yes	AUG-2006	Now Available
CMD-KEY3-315	3 Button Black Keyfob Transmitter 315MHz	Yes	AUG-2008	Now Available
CMD-KEY3-418	3 Button Black Keyfob Transmitter 418MHz	Yes	MAY-2007	Now Available
CMD-KEY3-433	3 Button Black Keyfob Transmitter 433MHz	Yes	AUG-2006	Now Available
CMD-KEY4-315	4 Button Black Keyfob Transmitter 315MHz	Yes	AUG-2008	Now Available
CMD-KEY4-418	4 Button Black Keyfob Transmitter 418MHz	Yes	MAY-2007	Now Available
CMD-KEY4-433	4 Button Black Keyfob Transmitter 433MHz	Yes	AUG-2006	Now Available
CMD-KEY5-315	5 Button Black Keyfob Transmitter 315MHz	Yes	AUG-2008	Now Available
CMD-KEY5-418	5 Button Black Keyfob Transmitter 418MHz	Yes	MAY-2007	Now Available
CMD-KEY5-433	5 Button Black Keyfob Transmitter 433MHz	Yes	AUG-2006	Now Available
FCTN-RLY4-315	4 Relay Receiver Module 315MHz	Yes	MAR-2008	Now Available
FCTN-RLY4-418	4 Relay Receiver Module 418MHz	Yes	MAR-2008	Now Available

RoHS Compliance by Part Number

FCTN-RLY4-433	4 Relay Receiver Module 433MHz	Yes	MAR-2008	Now Available
FCTN-RLY4-315-2	4 Relay Receiver Module 2 315MHz	Yes	Start of Production	Now Available
FCTN-RLY4-418-2	4 Relay Receiver Module 2 418MHz	Yes	Start of Production	Now Available
FCTN-RLY4-433-2	4 Relay Receiver Module 2 433MHz	Yes	Start of Production	Now Available
FCTN-WALL-315	AC Switch Receiver Module 315MHz	Yes	AUG-2010	Now Available
FCTN-WALL-418	AC Switch Receiver Module 418MHz	Yes	AUG-2010	Now Available
FCTN-WALL-433	AC Switch Receiver Module 433MHz	Yes	AUG-2010	Now Available
OTX-315-HH-KF1-MS	1 Button Black MS Keyfob Transmitter 315MHz	Yes	NOV-2006	Now Available
OTX-418-HH-KF1-MS	1 Button Black MS Keyfob Transmitter 418MHz	Yes	MAY-2007	Now Available
OTX-433-HH-KF1-MS	1 Button Black MS Keyfob Transmitter 433MHz	Yes	AUG-2006	Now Available
OTX-315-HH-KF2-MS	2 Button Black MS Keyfob Transmitter 315MHz	Yes	NOV-2006	Now Available
OTX-418-HH-KF2-MS	2 Button Black MS Keyfob Transmitter 418MHz	Yes	MAY-2007	Now Available
OTX-433-HH-KF2-MS	2 Button Black MS Keyfob Transmitter 433MHz	Yes	AUG-2006	Now Available
OTX-315-HH-KF3-MS	3 Button Black MS Keyfob Transmitter 315MHz	Yes	NOV-2006	Now Available
OTX-418-HH-KF3-MS	3 Button Black MS Keyfob Transmitter 418MHz	Yes	MAY-2007	Now Available
OTX-433-HH-KF3-MS	3 Button Black MS Keyfob Transmitter 433MHz	Yes	AUG-2006	Now Available
OTX-315-HH-KF4-MS	4 Button Black MS Keyfob Transmitter 315MHz	Yes	NOV-2006	Now Available
OTX-418-HH-KF4-MS	4 Button Black MS Keyfob Transmitter 418MHz	Yes	MAY-2007	Now Available
OTX-433-HH-KF4-MS	4 Button Black MS Keyfob Transmitter 433MHz	Yes	AUG-2006	Now Available
OTX-315-HH-KF5-MS	5 Button Black MS Keyfob Transmitter 315MHz	Yes	NOV-2006	Now Available
OTX-418-HH-KF5-MS	5 Button Black MS Keyfob Transmitter 418MHz	Yes	MAY-2007	Now Available
OTX-433-HH-KF5-MS	5 Button Black MS Keyfob Transmitter 433MHz	Yes	AUG-2006	Now Available
OTX-315-HH-CP8-MS	8 Button MS Compact Handheld Transmitter 315MHz	Yes	Start of Production	Now Available
OTX-418-HH-CP8-MS	8 Button MS Compact Handheld Transmitter 418MHz	Yes	Start of Production	Now Available
OTX-433-HH-CP8-MS	8 Button MS Compact Handheld Transmitter 433MHz	Yes	Start of Production	Now Available
OTX-315-HH-LR8-MS	8 Button MS Long-Range Handheld Transmitter 315MHz	Yes	Start of Production	Now Available
OTX-418-HH-LR8-MS	8 Button MS Long-Range Handheld Transmitter 418MHz	Yes	Start of Production	Now Available
OTX-433-HH-LR8-MS	8 Button MS Long-Range Handheld Transmitter 433MHz	Yes	Start of Production	Now Available
OTX-315-HH-CP8-HS	8 Button HS Compact Handheld Transmitter 315MHz	Yes	Start of Production	Now Available
OTX-418-HH-CP8-HS	8 Button HS Compact Handheld Transmitter 418MHz	Yes	Start of Production	Now Available
OTX-433-HH-CP8-HS	8 Button HS Compact Handheld Transmitter 433MHz	Yes	Start of Production	Now Available
OTX-315-HH-LR8-HS	8 Button HS Long-Range Handheld Transmitter 315MHz	Yes	Start of Production	Now Available
OTX-418-HH-LR8-HS	8 Button HS Long-Range Handheld Transmitter 418MHz	Yes	Start of Production	Now Available
OTX-433-HH-LR8-HS	8 Button HS Long-Range Handheld Transmitter 433MHz	Yes	Start of Production	Now Available
LICAL-ENC-LS001	LS Series Encoder	Yes	Start of Production	Now Available

RoHS Compliance by Part Number

LICAL-DEC-LS001	LS Series Decoder	Yes	Start of Production	Now Available
LICAL-ENC-MS001	MS Series Encoder	Yes	Start of Production	Now Available
LICAL-DEC-MS001	MS Series Decoder	Yes	Start of Production	Now Available
LICAL-ENC-HS001	HS Series Encoder	Yes	Start of Production	Now Available
LICAL-DEC-HS001	HS Series Decoder	Yes	Start of Production	Now Available
LICAL-TRC-MT	MT Series Transcoder	Yes	Start of Production	Now Available
HT640/S	HT640 24P SOP Encoder	Yes	APR-2006	Now Available
HT658/S	HT658 24P SOP Decoder	Yes	APR-2006	Now Available
BAT-HLD-001	Linx CR2032 Battery Holder	Yes	Start of Production	Now Available
RXM-315-LC-S	LC Series RF Receiver 315MHz	No	No Conversion	No Conversion
RXM-418-LC-S	LC Series RF Receiver 418MHz	No	No Conversion	No Conversion
RXM-433-LC-S	LC Series RF Receiver 433MHz	No	No Conversion	No Conversion
RXD-315-KH	KH Series RF Receiver/Decoder 315MHz	No	No Conversion	No Conversion
RXD-418-KH	KH Series RF Receiver/Decoder 418MHz	No	No Conversion	No Conversion
RXD-433-KH	KH Series RF Receiver/Decoder 433MHz	No	No Conversion	No Conversion
TXE-315-KH	KH Series RF Transmitter/Encoder 315MHz	No	No Conversion	No Conversion
TXE-418-KH	KH Series RF Transmitter/Encoder 418MHz	No	No Conversion	No Conversion
TXE-433-KH	KH Series RF Transmitter/Encoder 433MHz	No	No Conversion	No Conversion
BBA-322-A	BBA Series High-Gain Broadband RF AMP	No	No Conversion	No Conversion
BBA-519-A	BBA Series High-Power Broadband RF AMP	No	No Conversion	No Conversion

Note 1: Compliant parts are available upon request, otherwise non-compliant parts will be shipped.



RoHS Compliance by Part Number

Part Number	Description	RoHS information		
		RoHS Compatible	Compliant Since	Planned start of production of RoHS compatible components
ANT-418-PW-QW	Permanent Mount 1/4 Wave Whip 418MHz	Yes	FEB-2006	Now Available
ANT-433-PW-QW	Permanent Mount 1/4 Wave Whip 433MHz	Yes	FEB-2006	Now Available
ANT-868-PW-QW	Permanent Mount 1/4 Wave Whip 868MHz	Yes	FEB-2006	Now Available
ANT-916-PW-QW	Permanent Mount 1/4 Wave Whip 916MHz	Yes	FEB-2006	Now Available
ANT-2.4-PW-QW	Permanent Mount 1/2 Wave Whip 2.4GHz	Yes	Start of Production	Now Available
ANT-418-CW-QW	RPSMA Connectorized 1/4 Wave Whip 418MHz	Yes	FEB-2006	Now Available
ANT-418-CW-QW-SMA	SMA Connectorized 1/4 Wave Whip 418MHz	Yes	Start of Production	Now Available
ANT-433-CW-QW	RPSMA Connectorized 1/4 Wave Whip 433MHz	Yes	FEB-2006	Now Available
ANT-433-CW-QW-SMA	SMA Connectorized 1/4 Wave Whip 433MHz	Yes	Start of Production	Now Available
ANT-868-CW-QW	RPSMA Connectorized 1/4 Wave Whip 868MHz	Yes	FEB-2006	Now Available
ANT-868-CW-QW-SMA	SMA Connectorized 1/4 Wave Whip 868MHz	Yes	Start of Production	Now Available
ANT-916-CW-QW	RPSMA Connectorized 1/4 Wave Whip 916MHz	Yes	FEB-2006	Now Available
ANT-916-CW-QW-SMA	SMA Connectorized 1/4 Wave Whip 916MHz	Yes	Start of Production	Now Available
ANT-2.4-CW-QW-RPS	RPSMA Connectorized 1/2 Wave Whip 2.4GHz	Yes	Start of Production	Now Available
ANT-2.4-CW-QW-SMA	SMA Connectorized 1/2 Wave Whip 2.4GHz	Yes	Start of Production	Now Available
ANT-315-CW-RCS	RPSMA Right Angle Weatherized 1/4 Wave Whip 315MHz	Yes	Start of Production	Now Available
ANT-418-CW-RCS	RPSMA Right Angle Weatherized 1/4 Wave Whip 418MHz	Yes	Start of Production	Now Available
ANT-433-CW-RCS	RPSMA Right Angle Weatherized 1/4 Wave Whip 433MHz	Yes	Start of Production	Now Available
ANT-868-CW-RCS	RPSMA Right Angle Weatherized 1/4 Wave Whip 868MHz	Yes	Start of Production	Now Available
ANT-916-CW-RCS	RPSMA Right Angle Weatherized 1/4 Wave Whip 916MHz	Yes	JUL-2006	Now Available
ANT-2.4-CW-RCS	RPSMA Right Angle Weatherized 1/4 Wave Whip 2.4GHz	Yes	MAY-2006	Now Available
ANT-916-CW-RCS-SMA	SMA Right Angle Weatherized 1/4 Wave Whip 916MHz	Yes	Start of Production	Now Available
ANT-2.4-CW-RCS-SMA	SMA Right Angle Weatherized 1/4 Wave Whip 2.4GHz	Yes	APR-2010	Now Available
ANT-916-CW-RCL	RPSMA Right Angle Multi-Position 1/4 Wave Whip 916MHz	Yes	MAY-2006	Now Available
ANT-2.4-CW-RCL	RPSMA Right Angle Multi-Position 1/2 Wave Whip 2.4GHz	Yes	MAY-2006	Now Available
ANT-2.4-CW-RCT-SS	SMA Right Angle Multi-Position 1/2 Wave Whip 2.4GHz	Yes	MAY-2006	Now Available
ANT-2.4-CW-RCT-RP	RPSMA Right Angle Multi-Position 1/2 Wave Whip 2.4GHz	Yes	MAY-2006	Now Available
ANT-2.4-CW-CT-SMA	SMA Straight 1/2 Wave Whip 2.4GHz	Yes	Start of Production	Now Available
ANT-2.4-CW-CT-RPS	RPSMA Straight 1/2 Wave Whip 2.4GHz	Yes	Start of Production	Now Available
ANT-315-CW-RH	RPSMA Reduced Height 1/4 Wave Whip 315MHz	Yes	FEB-2006	Note 1
ANT-418-CW-RH	RPSMA Reduced Height 1/4 Wave Whip 418MHz	Yes	FEB-2006	Now Available



RoHS Compliance by Part Number

ANT-433-CW-RH	RPSMA Reduced Height 1/4 Wave Whip 433MHz	Yes	FEB-2006	Now Available
ANT-868-CW-RH	RPSMA Reduced Height 1/4 Wave Whip 868MHz	Yes	MAR-2007	Note 1
ANT-916-CW-RH	RPSMA Reduced Height 1/4 Wave Whip 916MHz	Yes	FEB-2006	Now Available
ANT-2.4-CW-RH	RPSMA Reduced Height 1/4 Wave Whip 2.45GHz	Yes	Start of Production	Now Available
ANT-315-CW-RAH	Right Angle RPSMA Reduced Height 1/4 Wave Whip 315MHz	Yes	FEB-2006	Now Available
ANT-418-CW-RAH	Right Angle RPSMA Reduced Height 1/4 Wave Whip 418MHz	Yes	FEB-2006	Now Available
ANT-433-CW-RAH	Right Angle RPSMA Reduced Height 1/4 Wave Whip 433MHz	Yes	FEB-2006	Now Available
ANT-868-CW-RAH	Right Angle RPSMA Reduced Height 1/4 Wave Whip 868MHz	Yes	FEB-2006	Now Available
ANT-916-CW-RAH	Right Angle RPSMA Reduced Height 1/4 Wave Whip 916MHz	Yes	FEB-2006	Now Available
ANT-2.4-CW-RAH	Right Angle RPSMA Reduced Height 1/4 Wave Whip 2.45GHz	Yes	Start of Production	Now Available
ANT-315-CW-HD	RPSMA Heavy Duty 1/4 Wave Whip 315MHz	Yes	FEB-2006	Now Available
ANT-418-CW-HD	RPSMA Heavy Duty 1/4 Wave Whip 418MHz	Yes	JAN-2008	Note 1
ANT-433-CW-HD	RPSMA Heavy Duty 1/4 Wave Whip 433MHz	Yes	FEB-2006	Now Available
ANT-868-CW-HD	RPSMA Heavy Duty 1/4 Wave Whip 868MHz	Yes		Jun-2006, as inventories deplete
ANT-916-CW-HD	RPSMA Heavy Duty 1/4 Wave Whip 916MHz	Yes	FEB-2006	Now Available
ANT-315-PW-LP	Permanent Mount Reduced Height 1/4 Wave Whip 315MHz	Yes	OCT-2006	Now Available
ANT-418-PW-LP	Permanent Mount Reduced Height 1/4 Wave Whip 418MHz	Yes	MAY-2006	Now Available
ANT-433-PW-LP	Permanent Mount Reduced Height 1/4 Wave Whip 433MHz	Yes	MAY-2006	Now Available
ANT-868-PW-LP	Permanent Mount Reduced Height 1/4 Wave Whip 868MHz	Yes	FEB-2006	Now Available
ANT-916-PW-LP	Permanent Mount Reduced Height 1/4 Wave Whip 916MHz	Yes	MAY-2006	Now Available
ANT-2.4-PW-LP	Permanent Mount Reduced Height 1/4 Wave Whip 2.4GHz	Yes	Start of Production	Now Available
ANT-315-PW-RA	Permanent Mount Swivel Angle 1/4 Wave Whip 315MHz	Yes	FEB-2006	Now Available
ANT-418-PW-RA	Permanent Mount Swivel Angle 1/4 Wave Whip 418MHz	Yes	FEB-2006	Now Available
ANT-433-PW-RA	Permanent Mount Swivel Angle 1/4 Wave Whip 433MHz	Yes	FEB-2006	Now Available
ANT-868-PW-RA	Permanent Mount Swivel Angle 1/4 Wave Whip 868MHz	Yes	DEC-2010	Now Available
ANT-916-PW-RA	Permanent Mount Swivel Angle 1/4 Wave Whip 916MHz	Yes	FEB-2006	Now Available
ANT-315-CW-HW	RPSMA Connectorized 1/4 Wave Dipole Whip 315MHz	Yes	MAY-2006	Now Available
ANT-315-CW-HW-SMA	SMA Connectorized 1/4 Wave Dipole Whip 315MHz	Yes	Start of Production	Now Available
ANT-418-CW-HW	RPSMA Connectorized 1/4 Wave Dipole Whip 418MHz	Yes	MAY-2006	Now Available
ANT-418-CW-HW-SMA	SMA Connectorized 1/4 Wave Dipole Whip 418MHz	Yes	Start of Production	Now Available
ANT-433-CW-HW	RPSMA Connectorized 1/4 Wave Dipole Whip 433MHz	Yes	MAY-2006	Now Available
ANT-433-CW-HW-SMA	SMA Connectorized 1/4 Wave Dipole Whip 433MHz	Yes	Start of Production	Now Available
ANT-868-CW-HW	RPSMA Connectorized 1/2 Wave Dipole Whip 868MHz	Yes	MAY-2006	Now Available
ANT-868-CW-HW-SMA	SMA Connectorized 1/2 Wave Dipole Whip 868MHz	Yes	Start of Production	Now Available
ANT-916-CW-HW	RPSMA Connectorized 1/2 Wave Dipole Whip 916MHz	Yes	FEB-2006	Now Available



RoHS Compliance by Part Number

ANT-916-CW-HW-SMA	SMA Connectorized 1/2 Wave Dipole Whip 916MHz	Yes	Start of Production	Now Available
ANT-2.4-CW-HW	RPSMA Connectorized 1/2 Wave Dipole Whip 2.4GHz	Yes	Start of Production	Now Available
ANT-2.4-CW-HW-SMA	SMA Connectorized 1/2 Wave Dipole Whip 2.4GHz	Yes	Start of Production	Now Available
ANT-315-CW-HWR-RPS	RPSMA Connectorized Tilt Swivel 1/4 Wave Monopole Whip 315MHz	Yes	Start of Production	Now Available
ANT-315-CW-HWR-SMA	SMA Connectorized Tilt Swivel 1/4 Wave Monopole Whip 315MHz	Yes	Start of Production	Now Available
ANT-418-CW-HWR-RPS	RPSMA Connectorized Tilt Swivel 1/4 Wave Monopole Whip 418MHz	Yes	Start of Production	Now Available
ANT-418-CW-HWR-SMA	SMA Connectorized Tilt Swivel 1/4 Wave Monopole Whip 418MHz	Yes	Start of Production	Now Available
ANT-433-CW-HWR-RPS	RPSMA Connectorized Tilt Swivel 1/4 Wave Monopole Whip 433MHz	Yes	Start of Production	Now Available
ANT-433-CW-HWR-SMA	SMA Connectorized Tilt Swivel 1/4 Wave Monopole Whip 433MHz	Yes	Start of Production	Now Available
ANT-868-CW-HWR-RPS	RPSMA Connectorized Tilt Swivel 1/2 Wave Dipole Whip 868MHz	Yes	Start of Production	Now Available
ANT-868-CW-HWR-SMA	SMA Connectorized Tilt Swivel 1/2 Wave Dipole Whip 868MHz	Yes	Start of Production	Now Available
ANT-916-CW-HWR-RPS	RPSMA Connectorized Tilt Swivel 1/2 Wave Dipole Whip 916MHz	Yes	Start of Production	Now Available
ANT-916-CW-HWR-SMA	SMA Connectorized Tilt Swivel 1/2 Wave Dipole Whip 916MHz	Yes	Start of Production	Now Available
ANT-1.4-CW-HWR-RPS	RPSMA Connectorized Tilt Swivel 1/2 Wave Dipole Whip 1.4GHz	Yes	Start of Production	Now Available
ANT-1.4-CW-HWR-SMA	SMA Connectorized Tilt Swivel 1/2 Wave Dipole Whip 1.4GHz	Yes	Start of Production	Now Available
ANT-2.4-CW-HWR-RPS	RPSMA Connectorized Tilt Swivel 1/2 Wave Dipole Whip 2.4GHz	Yes	Start of Production	Now Available
ANT-2.4-CW-HWR-SMA	SMA Connectorized Tilt Swivel 1/2 Wave Dipole Whip 2.4GHz	Yes	Start of Production	Now Available
ANT-868/916-PMA	Permanent Mount 1/4 Wave Whip 868 and 916MHz	Yes		Jun-2006, as inventories deplete
ANT-868/916-PMB	Permanent Mount Right Angle Blade Style 1/4 Wave Whip 868 and 916 MHz	No		Jun-2006, as inventories deplete
ANT-868/916-PMC	Heavy Duty Permanent Mount Right Angle Blade Style 1/4 Wave Whip 868 and 916MHz	Yes	JUNE-2009	Now Available
ANT-868-PML	Permanent Mount Right Angle Swivel 1/2 Wave Whip 868MHz, 8.5" coax	Yes	FEB-2006	Now Available
ANT-916-PML	Permanent Mount Right Angle Swivel 1/2 Wave Whip 916MHz, 8.5" coax	Yes	FEB-2006	Now Available
ANT-DB1-RAF-RPS	2.4/5.3GHz Dual Band Tilt / Swivel Antenna, RP-SMA Connector	Yes	FEB-2006	Now Available
ANT-DB1-RAF-SMA	2.4/5.3GHz Dual Band Tilt / Swivel Antenna, SMA Connector	Yes	FEB-2006	Now Available
ANT-315-HETH	Through Hole 1/4 Wave Helical 315MHz	Yes	FEB-2006	Now Available
ANT-418-HETH	Through Hole 1/4 Wave Helical 418MHz	Yes	FEB-2006	Now Available
ANT-433-HETH	Through Hole 1/4 Wave Helical 433MHz	Yes	FEB-2006	Now Available
ANT-916-HETH	Through Hole 1/4 Wave Helical 916MHz	Yes	FEB-2006	Now Available
ANT-315-HESM	SMD 1/4 Wave Helical 315MHz	Yes	FEB-2006	Now Available
ANT-418-HESM	SMD 1/4 Wave Helical 418MHz	Yes	FEB-2006	Now Available
ANT-433-HESM	SMD 1/4 Wave Helical 433MHz	Yes	FEB-2006	Now Available
ANT-916-HESM	SMD 1/4 Wave Helical 916MHz	Yes	FEB-2006	Now Available
ANT-315-SP	SMD Planar Antenna 315MHz	Yes	JUL-2006	Now Available
ANT-403-SP	SMD Planar Antenna 403 MHz	Yes	Start of Production	Now Available
ANT-418-SP	SMD Planar Antenna 418MHz	Yes	JUL-2006	Note 1



RoHS Compliance by Part Number

ANT-433-SP	SMD Planar Antenna 433MHz	Yes	JUL-2006	Now Available
ANT-458-SP	SMD Planar Antenna 458MHz	Yes	JUL-2006	Note 1
ANT-868-SP	SMD Planar Antenna 868MHz	Yes	JUL-2006	Note 1
ANT-916-SP	SMD Planar Antenna 916MHz	Yes	JUL-2006	Now Available
ANT-868-JJB-ST	Permanent Mount Mini Antenna Straight Post 868MHz	Yes	Start of Production	Now Available
ANT-868-JJB-RA	Permanent Mount Mini Antenna Right Angle Post 868MHz	Yes	Start of Production	Now Available
ANT-916-JJB-ST	Permanent Mount Mini Antenna Straight Post 916MHz	Yes	Start of Production	Now Available
ANT-916-JJB-RA	Permanent Mount Mini Antenna Right Angle Post 916MHz	Yes	Start of Production	Now Available
ANT-2.4-JJB-ST	Permanent Mount Mini Antenna Straight Post 2.45GHz	Yes	Start of Production	Now Available
ANT-2.4-JJB-RA	Permanent Mount Mini Antenna Right Angle Post 2.45GHz	Yes	Start of Production	Now Available
ANT-868-JJB-HT-T	Permanent Mount Mini Antenna Straight Post 868MHz, High Temp Housing, T&R	Yes	Start of Production	Now Available
ANT-916-JJB-HT-T	Permanent Mount Mini Antenna Straight Post 916MHz, High Temp Housing, T&R	Yes	Start of Production	Now Available
ANT-418-MHW-RPS-S	RPSMA Connector, 79" Cable, 418MHz	Yes	FEB-2006	Now Available
ANT-433-MHW-RPS-S	RPSMA Connector, 79" Cable, 433MHz	Yes	FEB-2006	Now Available
ANT-916-MHW-RPS-S	RPSMA Connector, 79" Cable, 916MHz	Yes	FEB-2006	Now Available
ANT-418-MHW-SMA-S	SMA Connector, 79" Cable, 418MHz	Yes	FEB-2006	Now Available
ANT-433-MHW-SMA-S	SMA Connector, 79" Cable, 433MHz	Yes	FEB-2006	Now Available
ANT-916-MHW-SMA-S	SMA Connector, 79" Cable, 916MHz	Yes	FEB-2006	Now Available
ANT-418-MHW-RPS-L	RPSMA Connector, 180" Cable, 418MHz	Yes	FEB-2006	Now Available
ANT-433-MHW-RPS-L	RPSMA Connector, 180" Cable, 433MHz	Yes	FEB-2006	Now Available
ANT-916-MHW-RPS-L	RPSMA Connector, 180" Cable, 916MHz	Yes	FEB-2006	Now Available
ANT-418-MHW-SMA-L	SMA Connector, 180" Cable, 418MHz	Yes	FEB-2006	Now Available
ANT-433-MHW-SMA-L	SMA Connector, 180" Cable, 433MHz	Yes	FEB-2006	Now Available
ANT-916-MHW-SMA-L	SMA Connector, 180" Cable, 916MHz	Yes	FEB-2006	Now Available
ANT-DB1-HDP-RPS	Horizontal Dual Band Antenna, RP-SMA Connector	Yes	NOV-2005	Now Available
ANT-DB1-HDP-TNC	Horizontal Dual Band Antenna, TNC Connector	Yes	NOV-2005	Now Available
ANT-DB1-VDP-RPS	Vertical Dual Band Antenna, RP-SMA Connector	Yes	JAN-2006	Now Available
ANT-DB1-VDP-TNC	Vertical Dual Band Antenna, TNC Connector	Yes	JAN-2006	Now Available
ANT-868-CHP	868MHz Chip Antenna	Yes	Start of Production	Now Available
ANT-916-CHP	916MHz Chip Antenna	Yes	Start of Production	Now Available
ANT-2.45-CHP	2.45GHz Chip Antenna	Yes	Start of Production	Now Available
ANT-SKN-1.5	1.5" Antenna Sleeve	Yes	Start of Production	Now Available
ANT-SKN-3.15	3.15" Antenna Sleeve	Yes	Start of Production	Now Available
ANT-SKN-4.25	4.25" Antenna Sleeve	Yes	Start of Production	Now Available
ANT-MAG-B50-RPS	50mm Magnetic Base, RP-SMA Connector	Yes	FEB-2006	Now Available



RoHS Compliance by Part Number

ANT-MAG-B50-TNC	50mm Magnetic Base, TNC Connector	Yes	FEB-2006	Now Available
ANT-MAG-B66-RPS	66mm Magnetic Base, RP-SMA Connector	Yes	FEB-2006	Now Available
ANT-MAG-B66-TNC	66mm Magnetic Base, TNC Connector	Yes	FEB-2006	Now Available
ANT-MAG-B85-RPS	85mm Magnetic Base, RP-SMA Connector	Yes	FEB-2006	Now Available
ANT-MAG-B85-TNC	85mm Magnetic Base, TNC Connector	Yes	FEB-2006	Now Available
ANT-ELE-S01-005	860-960MHz Antenna Element	Yes	FEB-2006	Now Available
ANT-ELE-S01-006	824-960MHz Antenna Element	Yes	FEB-2006	Now Available
ANT-ELE-S01-008	824-960MHz Antenna Element	Yes	FEB-2006	Now Available
ANT-ELE-S01-010	860-960MHz Antenna Element	Yes	FEB-2006	Now Available
ANT-ELE-S01-011	2.4GHz Antenna Element	Yes	FEB-2006	Now Available
ANT-DB1-RMS-RPS	Vehicle Roof Antenna, RP-SMA Connector	Yes	FEB-2006	Now Available
ANT-DB1-RMS-TNC	Vehicle Roof Antenna, TNC Connector	Yes	FEB-2006	Now Available
ANT-DB1-RMT-RPS	Vehicle Roof Antenna, RP-SMA Connector	Yes	FEB-2006	Now Available
ANT-DB1-RMT-TNC	Vehicle Roof Antenna, TNC Connector	Yes	FEB-2006	Now Available
ANT-DB2-RMG-XX-YY-ZZ	Vehicle Roof Antenna Mount with Amplified GPS Antenna	Yes	Start of Production	Now Available
ANT-418-WRT-RPS	418MHz WRT Series Antenna, RP-SMA Connector	Yes	Start of Production	Now Available
ANT-418-WRT-SMA	418MHz WRT Series Antenna, SMA Connector	Yes	Start of Production	Now Available
ANT-433-WRT-RPS	433MHz WRT Series Antenna, RP-SMA Connector	Yes	Start of Production	Now Available
ANT-433-WRT-SMA	433MHz WRT Series Antenna, SMA Connector	Yes	Start of Production	Now Available
ANT-868-WRT-RPS	868MHz WRT Series Antenna, RP-SMA Connector	Yes	Start of Production	Now Available
ANT-868-WRT-SMA	868MHz WRT Series Antenna, SMA Connector	Yes	Start of Production	Now Available
ANT-916-WRT-RPS	916MHz WRT Series Antenna, RP-SMA Connector	Yes	Start of Production	Now Available
ANT-916-WRT-SMA	916MHz WRT Series Antenna, SMA Connector	Yes	Start of Production	Now Available
ANT-2.4-WRT-RPS	2.4GHz WRT Series Antenna, RP-SMA Connector	Yes	Start of Production	Now Available
ANT-2.4-WRT-SMA	2.4GHz WRT Series Antenna, SMA Connector	Yes	Start of Production	Now Available
ANT-2.4-WRT-UFL	2.4GHz WRT Series Antenna, U.FL Connector	Yes	Start of Production	Now Available
ANT-916-CN-N	916MHz Corner Antenna, N Connector	Yes	FEB-2006	Now Available
ANT-2.4-CN-N	2.4GHz Corner Antenna, N Connector	Yes	FEB-2006	Now Available
ANT-2.4-YG6-N	2.4GHz 6-Element Yagi Antenna, N Connector	No	NOV-2010	Now Available
ANT-916-YG5-N	916MHz 5-Element Yagi Antenna, N Connector	Yes	FEB-2006	Now Available
ANT-418-YG5-N	418MHz 5-Element Yagi Antenna, N Connector	Yes	FEB-2006	Now Available
ANT-2.4-YG12-N	2.4GHz 12-Element Yagi Antenna, N Connector	Yes	OCT-2008	Note 1
ANT-2.4-OM-CM-01-N	Omni-Directional Antenna, 2.45 Ghz, 360 deg H, 13 deg V, 7 dBi, N Connector	Yes	Start of Production	Now Available
ANT-2.4-PN-SM-01-N	Panel Mount Antenna, 2.45 GHz, 23 deg H, 23 deg V, 16 dBi, N Connector	Yes	Start of Production	Now Available
ANT-DB1-LP-RM-01-N	Log Periodic Dipole Antenna, Tri-Band, 50 deg H, 70 deg V, 9 dBi, N Connector	Yes	Start of Production	Now Available



RoHS Compliance by Part Number

ANT-DB1-OM-DW-01-N	Ceiling Mount Antenna, Multi-Band, 360 deg H, 45 deg V, 3 dbi, N Connector	Yes	Start of Production	Now Available
ANT-GPS-UC-MCX	Active GPS Antenna, MCX Connector	Yes	MAY-2008	Note 1
ANT-GPS-UC-SMA	Active GPS Antenna, SMA Connector	Yes	MAY-2006	Now Available
ANT-GPS-SH-SMA	Active GPS Antenna, SMA Connector	Yes	Start of Production	Now Available
ANT-GPS-SH-MCX	Active GPS Antenna, MCX Connector	Yes	Start of Production	Now Available
ANT-GPS-SH-MMX	Active GPS Antenna, MMCX Connector	Yes	Start of Production	Now Available
ANT-868-PMA	Permanent Mount 1/4 Wave Whip 868MHz	No	No Conversion	No Conversion
ANT-916-PMA	Permanent Mount 1/4 Wave Whip 916MHz	No	No Conversion	No Conversion
ANT-868-PMB	Permanent Mount Right Angle Blade Style 1/4 Wave Whip 868 MHz	No	No Conversion	No Conversion
ANT-916-PMB	Permanent Mount Right Angle Blade Style 1/4 Wave Whip 916 MHz	No	No Conversion	No Conversion
ANT-868-PMC	Heavy Duty Permanent Mount Right Angle Blade Style 1/4 Wave Whip 868MHz	No	No Conversion	No Conversion
ANT-916-PMC	Heavy Duty Permanent Mount Right Angle Blade Style 1/4 Wave Whip 916MHz	No	No Conversion	No Conversion
ANT-859-DBD-DA/W	Dual Band Cell/GPS Antenna	No	No Conversion	No Conversion
ANT-916-DBD-DA/W	Dual Band ISM/GPS Antenna	No	No Conversion	No Conversion
ANT-GPS-SE-SMA	Active GPS Antenna SMA Connector	No	No Conversion	No Conversion
ANT-GPS-SE-MCX	Active GPS Antenna MCX Connector	No	No Conversion	No Conversion
ANT-GPS-SE-SMB	Active GPS Antenna SMB Connector	No	No Conversion	No Conversion
ANT-GPS-ST-SMA	Active GPS Antenna SMA Connector	No	No Conversion	No Conversion
ANT-GPS-ST-MCX	Active GPS Antenna MCX Connector	No	No Conversion	No Conversion

Note 1: Compliant parts are available upon request, otherwise non-compliant parts will be shipped.

RoHS Compliance by Part Number

Part Number	Description	RoHS information		
		RoHS Compatible	Compliant Since	Planned start of production of RoHS compatible components
ADP-SMAM-RPSF	RP-SMA Female to SMA Male Adaptor	Yes	Start of Production	Now Available
ADP-SMAF-RPSM	RP-SMA Male to SMA Female Adaptor	Yes	Start of Production	Now Available
ADP-SMAF-SMAF	SMA Female to SMA Female Adapter	Yes	Start of Production	Now Available
ADP-SMAM-SMAM	SMA Male to SMA Male Adapter	Yes	Start of Production	Now Available
CONREVSMA001	RP-SMA Female PCB Mount	Yes	Start of Production	Now Available
CONREVSMA001-SMD	RP-SMA Female Surface Mount	Yes	Start of Production	Now Available
CONREVSMA002	RP-SMA Female Right Angle PCB Mount	Yes	Start of Production	Now Available
CONREVSMA002-SMD	RP-SMA Female Right Angle Surface Mount	Yes	Start of Production	Now Available
CONREVSMA002-L	RP-SMA Female Right Angle PCB Mount - Extended	Yes	Start of Production	Now Available
CONREVSMA003.031	RP-SMA Female Edge Mount for 0.031" Thick Board	Yes	Start of Production	Now Available
CONREVSMA003.062	RP-SMA Female Edge Mount for 0.062" Thick Board	Yes	Start of Production	Now Available
CONREVSMA003.031-L	RP-SMA Female Edge Mount for 0.031" Thick Board - Extended	Yes	Start of Production	Now Available
CONREVSMA003.062-L	RP-SMA Female Edge Mount for 0.062" Thick Board - Extended	Yes	Start of Production	Now Available
CONREVSMA004	RP-SMA Female Bulkhead Front Mount with Solder Pot	Yes	Start of Production	Now Available
CONREVSMA005	RP-SMA Female Bulkhead Rear Mount Cable End Crimp - RG-174 Cable	Yes	Start of Production	Now Available
CONREVSMA005-R58	RP-SMA Female Bulkhead Rear Mount Cable End Crimp - RG-58 Cable	Yes	Start of Production	Now Available
CONREVSMA005-R178	RP-SMA Female Bulkhead Rear Mount Cable End Crimp - RG-178 Cable	Yes	Start of Production	Now Available
CONREVSMA006.031	RP-SMA Female Edge Multi-Mount for 0.031" Thick Board	Yes	Start of Production	Now Available
CONREVSMA006.062	RP-SMA Female Edge Multi-Mount for 0.062" Thick Board	Yes	Start of Production	Now Available
CONREVSMA006.062SQ	RP-SMA Female Edge Multi-Mount w/ Square Flange for 0.062" Thick Board	Yes	Start of Production	Now Available
CONREVSMA007	RP-SMA Male Cable End Crimp - RG-174 Cable	Yes	Start of Production	Now Available
CONREVSMA007-R58	RP-SMA Male Cable End Crimp - RG-58 Cable	Yes	Start of Production	Now Available
CONREVSMA007-R178	RP-SMA Male Cable End Crimp - RG-178 Cable	Yes	Start of Production	Now Available
CONREVSMA008	RP-SMA Female PCB Mount - Extended	Yes	Start of Production	Now Available
CONREVSMA009	RP-SMA Female Right Angle Edge Multi-Mount for 0.062" Thick Boards	Yes	Start of Production	Now Available
CONREVSMA010	RP-SMA Male to RP-SMA Female Right Angle Adaptor	Yes	Start of Production	Now Available
CONREVSMA011	RP-SMA Female Cable End Crimp - RG-174 Cable	Yes	Start of Production	Now Available

RoHS Compliance by Part Number

CONREVSMA011-R58	RP-SMA Female Cable End Crimp - RG-58 Cable	Yes	Start of Production	Now Available
CONREVSMA011-R178	RP-SMA Female Cable End Crimp - RG-178 Cable	Yes	Start of Production	Now Available
CONREVSMA012	RP-SMA Male Right Angle Cable End Crimp - RG-174 Cable	Yes	Start of Production	Now Available
CONREVSMA012-R58	RP-SMA Male Right Angle Cable End Crimp - RG-58 Cable	Yes	Start of Production	Now Available
CONREVSMA012-R178	RP-SMA Male Right Angle Cable End Crimp - RG-178 Cable	Yes	Start of Production	Now Available
CONREVSMA013.031	RP-SMA Male Edge Mount for 0.031" Thick Boards	Yes	Start of Production	Now Available
CONREVSMA013.062	RP-SMA Male Edge Mount for 0.062" Thick Boards	Yes	Start of Production	Now Available
CONREVSMA014	RP-SMA Female Bulkhead Rear Mount Cable End Crimp w/ O-Ring - RG-174 Cable	Yes	Start of Production	Now Available
CONREVSMA014-R58	RP-SMA Female Bulkhead Rear Mount Cable End Crimp w/ O-Ring - RG-58 Cable	Yes	Start of Production	Now Available
CONREVSMA014-R178	RP-SMA Female Bulkhead Rear Mount Cable End Crimp w/ O-Ring - RG-178 Cable	Yes	Start of Production	Now Available
CONREVSMA015	RP-SMA Female Bulkhead Front Mount Cable End Crimp w/ O-Ring - RG-174 Cable	Yes	Start of Production	Now Available
CONREVSMA015-R58	RP-SMA Female Bulkhead Front Mount Cable End Crimp w/ O-Ring - RG-58 Cable	Yes	Start of Production	Now Available
CONREVSMA015-R178	RP-SMA Female Bulkhead Front Mount Cable End Crimp w/ O-Ring - RG-178 Cable	Yes	Start of Production	Now Available
CONSMA001	Female PCB Mount	Yes	Start of Production	Now Available
CONSMA001-SMD	SMA Female Surface Mount	Yes	Start of Production	Now Available
CONSMA002	SMA Female Right Angle PCB Mount	Yes	Start of Production	Now Available
CONSMA002-SMD	SMA Female Right Angle Surface Mount	Yes	Start of Production	Now Available
CONSMA002-L	SMA Female Right Angle PCB Mount - Extended	Yes	Start of Production	Now Available
CONSMA003.031	SMA Female Edge Mount for 0.031" Thick Board	Yes	Start of Production	Now Available
CONSMA003.062	SMA Female Edge Mount for 0.062" Thick Board	Yes	Start of Production	Now Available
CONSMA003.031-L	SMA Female Edge Mount for 0.031" Thick Board - Extended	Yes	Start of Production	Now Available
CONSMA003.062-L	SMA Female Edge Mount for 0.062" Thick Board - Extended	Yes	Start of Production	Now Available
CONSMA005	SMA Female Bulkhead Rear Mount Cable End Crimp - RG-174 Cable	Yes	Start of Production	Now Available
CONSMA005-R58	SMA Female Bulkhead Rear Mount Cable End Crimp - RG-58 Cable	Yes	Start of Production	Now Available
CONSMA005-R178	SMA Female Bulkhead Rear Mount Cable End Crimp - RG-178 Cable	Yes	Start of Production	Now Available
CONSMA006.031	SMA Female Edge Multi-Mount for 0.031" Thick Board	Yes	Start of Production	Now Available
CONSMA006.062	SMA Female Edge Multi-Mount for 0.062" Thick Board	Yes	Start of Production	Now Available
CONSMA007	SMA Male Cable End Crimp - RG-174 Cable	Yes	Start of Production	Now Available
CONSMA007-R178	SMA Male Cable End Crimp - RG-178 Cable	Yes	Start of Production	Now Available
CONSMA007-R58	SMA Male Cable End Crimp - RG-58 Cable	Yes	Start of Production	Now Available
CONSMA008	SMA Female PCB Mount - Extended	Yes	Start of Production	Now Available
CONSMA010	SMA Male to SMA Female Right Angle Adaptor	Yes	Start of Production	Now Available

RoHS Compliance by Part Number

CONSMA011	SMA Female Cable End Crimp - RG-174 Cable	Yes	Start of Production	Now Available
CONSMA011-R58	SMA Female Cable End Crimp - RG-58 Cable	Yes	Start of Production	Now Available
CONSMA011-R178	SMA Female Cable End Crimp - RG-178 Cable	Yes	Start of Production	Now Available
CONSMA012	SMA Male Right Angle Cable End Crimp - RG-174 Cable	Yes	Start of Production	Now Available
CONSMA012-R178	SMA Male Right Angle Cable End Crimp - RG-178 Cable	Yes	Start of Production	Now Available
CONSMA012-R58	SMA Male Right Angle Cable End Crimp - RG-58 Cable	Yes	Start of Production	Now Available
CONSMA013.031	SMA Male Edge Mount for 0.031" Thick Boards	Yes	Start of Production	Now Available
CONSMA013.062	SMA Male Edge Mount for 0.062" Thick Boards	Yes	Start of Production	Now Available
CONSMA014	SMA Female Bulkhead Rear Mount Cable End Crimp w/ O-Ring - RG-174 Cable	Yes	Start of Production	Now Available
CONSMA014-R178	SMA Female Bulkhead Rear Mount Cable End Crimp w/ O-Ring - RG-178 Cable	Yes	Start of Production	Now Available
CONSMA014-R58	SMA Female Bulkhead Rear Mount Cable End Crimp w/ O-Ring - RG-58 Cable	Yes	Start of Production	Now Available
CONSMA015	SMA Female Bulkhead Front Mount Cable End Crimp w/ O-Ring - RG-174 Cable	Yes	Start of Production	Now Available
CONSMA015-R58	SMA Female Bulkhead Front Mount Cable End Crimp w/ O-Ring - RG-58 Cable	Yes	Start of Production	Now Available
CONSMA015-R178	SMA Female Bulkhead Front Mount Cable End Crimp w/ O-Ring - RG-178 Cable	Yes	Start of Production	Now Available
CONMCX001	MCX Female PCB Mount	Yes	Start of Production	Now Available
CONMCX001-SMD	MCX Female Surface Mount	Yes	Start of Production	Now Available
CONMCX002	MCX Female Right Angle PCB Mount	Yes	Start of Production	Now Available
CONMCX002-SMD	MCX Female Right Angle Surface Mount	Yes	Start of Production	Now Available
CONMCX003.031	MCX Female Edge Mount for 0.031" Thick Boards	Yes	Start of Production	Now Available
CONMCX003.062	MCX Female Edge Mount for 0.062" Thick Boards	Yes	Start of Production	Now Available
CONMCX003.031-L	MCX Female Edge Mount for 0.031" Thick Boards - Extended	Yes	Start of Production	Now Available
CONMCX003.062-L	MCX Female Edge Mount for 0.062" Thick Boards - Extended	Yes	Start of Production	Now Available
CONMCX004	MCX Female Bulkhead Front Mount with Solder Pot	Yes	Start of Production	Now Available
CONMCX005	MCX Female Bulkhead Rear Mount Cable End Crimp - RG-174 Cable	Yes	Start of Production	Now Available
CONMCX005-R178	MCX Female Bulkhead Rear Mount Cable End Crimp - RG-178 Cable	Yes	Start of Production	Now Available
CONMCX007	MCX Male Cable End Crimp - RG-174 Cable	Yes	Start of Production	Now Available
CONMCX007-R178	MCX Male Cable End Crimp - RG-178 Cable	Yes	Start of Production	Now Available
CONMCX011	MCX Female Cable End Crimp - RG-174 Cable	Yes	Start of Production	Now Available
CONMCX011-R178	MCX Female Cable End Crimp - RG-178 Cable	Yes	Start of Production	Now Available
CONMCX012	MCX Male Right Angle Cable End Crimp - RG-174 Cable	Yes	Start of Production	Now Available
CONMCX012-R178	MCX Male Right Angle Cable End Crimp - RG-178 Cable	Yes	Start of Production	Now Available
CONREVMCX001	RP-MCX Female PCB Mount	Yes	Start of Production	Now Available

RoHS Compliance by Part Number

CONREVMCX001-SMD	RP-MCX Female Surface Mount	Yes	Start of Production	Now Available
CONREVMCX002-L	RP-MCX Female Right Angle PCB Mount - Extended	Yes	Start of Production	Now Available
CONREVMCX002-SMD	RP-MCX Female Right Angle Surface Mount	Yes	Start of Production	Now Available
CONREVMCX002-SMD-L	RP-MCX Female Right Angle Surface Mount - Extended	Yes	Start of Production	Now Available
CONREVMCX003.062	RP-MCX Female Edge Mount for 0.062" Thick Boards	Yes	Start of Production	Now Available
CONREVMCX003.062-L	RP-MCX Female Edge Mount for 0.062" Thick Boards - Extended	Yes	Start of Production	Now Available
CONREVMXC005	RP-MCX Female Bulkhead Rear Mount Cable End Crimp - RG-174 Cable	Yes	Start of Production	Now Available
CONREVMCX005-R178	RP-MCX Female Bulkhead Rear Mount Cable End Crimp - RG-178 Cable	Yes	Start of Production	Now Available
CONREVMCX007	RP-MCX Male Cable End Crimp - RG-174 Cable	Yes	Start of Production	Now Available
CONREVMCX007-R178	RP-MCX Male Cable End Crimp - RG-178 Cable	Yes	Start of Production	Now Available
CONREVMCX011	RP-MCX Female Cable End Crimp - RG-174 Cable	Yes	Start of Production	Now Available
CONREVMCX011-R178	RP-MCX Female Cable End Crimp - RG-178 Cable	Yes	Start of Production	Now Available
CONREVMCX012	RP-MCX Male Right Angle Cable End Crimp - RG-174 Cable	Yes	Start of Production	Now Available
CONREVMCX012-R178	RP-MCX Male Right Angle Cable End Crimp - RG-178 Cable	Yes	Start of Production	Now Available
CONMMCX001	MMCX Female PCB Mount	Yes	Start of Production	Now Available
CONMMCX001-SMD	MMCX Female Surface Mount	Yes	Start of Production	Now Available
CONMMCX002	MMCX Female Right Angle PCB Mount	Yes	Start of Production	Now Available
CONMMCX002-SMD	MMCX Female Right Angle Surface Mount	Yes	Start of Production	Now Available
CONMMCX007	MMCX Male Cable End Crimp - RG-174 Cable	Yes	Start of Production	Now Available
CONMMCX007-R178	MMCX Male Cable End Crimp - RG-178 Cable	Yes	Start of Production	Now Available
CONMMCX011	MMCX Female Cable End Crimp - RG-174 Cable	Yes	Start of Production	Now Available
CONMMCX011-R178	MMCX Female Cable End Crimp - RG-178 Cable	Yes	Start of Production	Now Available
CONMMCX012	MMCX Male Right Angle Cable End Crimp - RG-174 Cable	Yes	Start of Production	Now Available
CONMMCX012-R178	MMCX Male Right Angle Cable End Crimp - RG-178 Cable	Yes	Start of Production	Now Available
CONREVMMCX001-SMD	RP-MMCX Female Surface Mount	Yes	Start of Production	Now Available
CONREVMMCX002-SMD	RP-MMCX Female Right Angle Surface Mount	Yes	Start of Production	Now Available
CONREVMMCX007	RP-MMCX Male Cable End Crimp - RG-174 Cable	Yes	Start of Production	Now Available
CONREVMMCX012	RP-MMCX Male Right Angle Cable End Crimp - RG-174 Cable	Yes	Start of Production	Now Available
CONN005	N Female Bulkhead Mount Cable End Crimp - RG-174 Cable	Yes	Start of Production	Now Available
CONN005-R58	N Female Bulkhead Mount Cable End Crimp - RG-58 Cable	Yes	Start of Production	Now Available
CONN007	N Male Cable End Crimp - RG-174 Cable	Yes	Start of Production	Now Available
CONN007-R58	N Male Cable End Crimp - RG-58 Cable	Yes	Start of Production	Now Available

RoHS Compliance by Part Number

CONN011	N Female Cable End Crimp - RG-174 Cable	Yes	Start of Production	Now Available
CONN011-R58	N Female Cable End Crimp - RG-58 Cable	Yes	Start of Production	Now Available
CONN012	N Male Right Angle Cable End Crimp - RG-174 Cable	Yes	Start of Production	Now Available
CONN012-R58	N Male Right Angle Cable End Crimp - RG-58 Cable	Yes	Start of Production	Now Available
CONREVSMA005-C08.5	RP-SMA Female Bulkhead Rear Mount Cable End Crimp w/ 8.5" RG-174	Yes	Start of Production	Now Available
CONREVSMA014-C08.5	RP-SMA Female Bulkhead Rear Mount Cable End Crimp w/ O-Ring & 8.5" RG-174	Yes	Start of Production	Now Available
C58LL-RPSM-2438-NM	RP-SMA Male to N Male w/ 8' of RG-58 Low Loss Cable	Yes	Start of Production	Now Available
C58LL-SMAM-2438-NM	SMA Male to N Male w/ 8' of RG-58 Low Loss Cable	Yes	Start of Production	Now Available
CSA-RPSM-216-RSFB	RP-SMA Male to RP-SMA Female Bulkhead with 216mm (8.5") RG-174 cable, RoHS	Yes	Start of Production	Now Available
CSA-RPSM-216-SAFB	RP-SMA Male to SMA Female Bulkhead with 216mm (8.5") RG-174 cable, RoHS	Yes	Start of Production	Now Available
CSA-SMAM-216-RSFB	SMA Male to RP-SMA Female Bulkhead with 216mm (8.5") RG-174 cable, RoHS	Yes	Start of Production	Now Available
CSA-SMAM-216-SAFB	SMA Male to SMA Female Bulkhead with 216mm (8.5") RG-174 cable, RoHS	Yes	Start of Production	Now Available
CSA-SAFB-xxx-SMAM	SMA Female Bulkhead to SMA Male with 100/200/300 mm RG-174 Cable (xxx=100/200/300)	Yes	Start of Production	Now Available
CSA-RSFB-xxx-SMAM	RP-SMA Female Bulkhead to SMA Male with 100/200/300 mm RG-174 Cable (xxx=100/200/300)	Yes	Start of Production	Now Available
CSA-SAFB-xxx-RPSM	SMA Female Bulkhead to RP-SMA Male with 100/200/300 mm RG-174 Cable (xxx=100/200/300)	Yes	Start of Production	Now Available
CSA-RSFB-xxx-RPSM	RP-SMA Female Bulkhead to RP-SMA Male with 100/200/300 mm RG-174 Cable (xxx=100/200/300)	Yes	Start of Production	Now Available
CSA-SAFB-xxx-SAMR	SMA Female Bulkhead to Right Angle SMA Male with 100/200/300 mm RG-174 Cable (xxx=100/200/300)	Yes	Start of Production	Now Available
CSA-RSFB-xxx-SAMR	RP-SMA Female Bulkhead to Right Angle SMA Male with 100/200/300 mm RG-174 Cable (xxx=100/200/300)	Yes	Start of Production	Now Available
CSA-SAFB-xxx-RSMR	SMA Female Bulkhead to Right Angle RP-SMA Male with 100/200/300 mm RG-174 Cable (xxx=100/200/300)	Yes	Start of Production	Now Available
CSA-RSFB-xxx-RSMR	RP-SMA Female Bulkhead to Right Angle RP-SMA Male with 100/200/300 mm RG-174 Cable (xxx=100/200/300)	Yes	Start of Production	Now Available
CSA-SAFB-xxx-MCXM	SMA Female Bulkhead to MCX Male with 100/200/300 mm RG-174 Cable (xxx=100/200/300)	Yes	Start of Production	Now Available
CSA-RSFB-xxx-MCXM	RP-SMA Female Bulkhead to MCX Male with 100/200/300 mm RG-174 Cable (xxx=100/200/300)	Yes	Start of Production	Now Available
CSA-SAFE-xxx-MCXM	SMA Female Sealed Bulkhead to MCX Male with 100/200/300 mm RG-174 Cable (xxx=100/200/300)	Yes	Start of Production	Now Available
CSA-RSFE-xxx-MCXM	RP-SMA Female Sealed Bulkhead to MCX Male with 100/200/300 mm RG-174 Cable (xxx=100/200/300)	Yes	Start of Production	Now Available
CSA-SAFB-xxx-MXMR	SMA Female Bulkhead to Right Angle MCX Male with 100/200/300 mm RG-174 Cable (xxx=100/200/300)	Yes	Start of Production	Now Available
CSA-RSFB-xxx-MXMR	RP-SMA Female Bulkhead to Right Angle MCX Male with 100/200/300 mm RG-174 Cable (xxx=100/200/300)	Yes	Start of Production	Now Available
CSA-SAFE-xxx-MXMR	SMA Female Sealed Bulkhead to Right Angle MCX Male with 100/200/300 mm RG-174 Cable (xxx=100/200/300)	Yes	Start of Production	Now Available

RoHS Compliance by Part Number

CSA-RSFE-xxx-MXMR	RP-SMA Female Sealed Bulkhead to Right Angle MCX Male with 100/200/300 mm RG-174 Cable (xxx=100/200/300)	Yes	Start of Production	Now Available
CSA-SAFB-xxx-MMXM	SMA Female Bulkhead to MMCX Male with 00/200/300 mm RG-174 Cable (xxx=100/200/300)	Yes	Start of Production	Now Available
CSA-RSFB-xxx-MMXM	RP-SMA Female Bulkhead to MMCX Male with 00/200/300 mm RG-174 Cable (xxx=100/200/300)	Yes	Start of Production	Now Available
CSA-SAFE-xxx-MMXM	SMA Female Sealed Bulkhead to MMCX Male with 100/200/300 mm RG-174 Cable (xxx=100/200/300)	Yes	Start of Production	Now Available
CSA-RSFE-xxx-MMXM	RP-SMA Female Sealed Bulkhead to MMCX Male with 100/200/300 mm RG-174 Cable (xxx=100/200/300)	Yes	Start of Production	Now Available
CSA-SAFB-xxx-MMMR	SMA Female Bulkhead to Right Angle MMCX Male with 100/200/300 mm RG-174 Cable (xxx=100/200/300)	Yes	Start of Production	Now Available
CSA-RSFB-xxx-MMMR	RP-SMA Female Bulkhead to Right Angle MMCX Male with 100/200/300 mm RG-174 Cable (xxx=100/200/300)	Yes	Start of Production	Now Available
CSA-SAFE-xxx-MMMR	SMA Female Sealed Bulkhead to Right Angle MMCX Male with 100/200/300 mm RG-174 Cable (xxx=100/200/300)	Yes	Start of Production	Now Available
CSA-RSFE-xxx-MMMR	RP-SMA Female Sealed Bulkhead to Right Angle MMCX Male with 100/200/300 mm RG-174 Cable (xxx=100/200/300)	Yes	Start of Production	Now Available
CSI-SAFB-xxx-UFMR	SMA Female Bulkhead to Right Angle U.FI with 100/200/300 mm 1.13mm Cable (xxx=100/200/300)	Yes	Start of Production	Now Available
CSI-RSFB-xxx-UFMR	RP-SMA Female Bulkhead to Right Angle U.FI with 100/200/300 mm 1.13mm Cable (xxx=100/200/300)	Yes	Start of Production	Now Available
CSI-SAFE-xxx-UFMR	SMA Female Sealed Bulkhead to Right Angle U.FI with 00/200/300 mm 1.13mm Cable (xxx=100/200/300)	Yes	Start of Production	Now Available
CSI-RSFE-xxx-UFMR	RP-SMA Female Sealed Bulkhead to Right Angle U.FI with 100/200/300 mm 1.13mm Cable (xxx=100/200/300)	Yes	Start of Production	Now Available
CSL-SAFB-xxx-SMAM	SMA Female Bulkhead to SMA Male with 100/200/300 mm RG-316LL Cable (xxx=100/200/300)	Yes	Start of Production	Now Available
CSL-RSFB-xxx-SMAM	RP-SMA Female Bulkhead to SMA Male with 100/200/300 mm RG-316LL Cable (xxx=100/200/300)	Yes	Start of Production	Now Available
CSL-SAFB-xxx-RPSM	SMA Female Bulkhead to RP-SMA Male with 100/200/300 mm RG-316LL Cable (xxx=100/200/300)	Yes	Start of Production	Now Available
CSL-RSFB-xxx-RPSM	RP-SMA Female Bulkhead to RP-SMA Male with 100/200/300 mm RG-316LL Cable (xxx=100/200/300)	Yes	Start of Production	Now Available
CSL-SAFB-xxx-SAMR	SMA Female Bulkhead to Right Angle SMA Male with 100/200/300 mm RG-316LL Cable (xxx=100/200/300)	Yes	Start of Production	Now Available
CSL-RSFB-xxx-SAMR	RP-SMA Female Bulkhead to Right Angle SMA Male with 100/200/300 mm RG-316LL Cable (xxx=100/200/300)	Yes	Start of Production	Now Available
CSL-SAFB-xxx-RSMR	SMA Female Bulkhead to Right Angle RP-SMA Male with 100/200/300 mm RG-316LL Cable (xxx=100/200/300)	Yes	Start of Production	Now Available
CSL-RSFB-xxx-RSMR	RP-SMA Female Bulkhead to Right Angle RP-SMA Male with 100/200/300 mm RG-316LL Cable (xxx=100/200/300)	Yes	Start of Production	Now Available
CSL-SAFB-xxx-MCXM	SMA Female Bulkhead to MCX Male with 100/200/300 mm RG-316LL Cable (xxx=100/200/300)	Yes	Start of Production	Now Available
CSL-RSFB-xxx-MCXM	RP-SMA Female Bulkhead to MCX Male with 100/200/300 mm RG-316LL Cable (xxx=100/200/300)	Yes	Start of Production	Now Available
CSL-SAFE-xxx-MCXM	SMA Female Sealed Bulkhead to MCX Male with 100/200/300 mm RG-316LL Cable (xxx=100/200/300)	Yes	Start of Production	Now Available
CSL-RSFE-xxx-MCXM	RP-SMA Female Sealed Bulkhead to MCX Male with 100/200/300 mm RG-316LL Cable	Yes	Start of Production	Now Available

RoHS Compliance by Part Number

	(xxx=100/200/300)			
CSL-SAFB-xxx-MXMR	SMA Female Bulkhead to Right Angle MCX Male with 100/200/300 mm RG-316LL Cable (xxx=100/200/300)	Yes	Start of Production	Now Available
CSL-RSFB-xxx-MXMR	RP-SMA Female Bulkhead to Right Angle MCX Male with 100/200/300 mm RG-316LL Cable (xxx=100/200/300)	Yes	Start of Production	Now Available
CSL-SAFE-xxx-MXMR	SMA Female Sealed Bulkhead to Right Angle MCX Male with 100/200/300 mm RG-316LL Cable (xxx=100/200/300)	Yes	Start of Production	Now Available
CSL-RSFE-xxx-MXMR	RP-SMA Female Sealed Bulkhead to Right Angle MCX Male with 100/200/300 mm RG-316LL Cable (xxx=100/200/300)	Yes	Start of Production	Now Available
CSL-SAFB-xxx-MMXM	SMA Female Bulkhead to MMCX Male with 00/200/300 mm RG-316LL Cable (xxx=100/200/300)	Yes	Start of Production	Now Available
CSL-RSFB-xxx-MMXM	RP-SMA Female Bulkhead to MMCX Male with 00/200/300 mm RG-316LL Cable (xxx=100/200/300)	Yes	Start of Production	Now Available
CSL-SAFE-xxx-MMXM	SMA Female Sealed Bulkhead to MMCX Male with 100/200/300 mm RG-316LL Cable (xxx=100/200/300)	Yes	Start of Production	Now Available
CSL-RSFE-xxx-MMXM	RP-SMA Female Sealed Bulkhead to MMCX Male with 100/200/300 mm RG-316LL Cable (xxx=100/200/300)	Yes	Start of Production	Now Available
CSL-SAFB-xxx-MMMR	SMA Female Bulkhead to Right Angle MMCX Male with 100/200/300 mm RG-316LL Cable (xxx=100/200/300)	Yes	Start of Production	Now Available
CSL-RSFB-xxx-MMMR	RP-SMA Female Bulkhead to Right Angle MMCX Male with 100/200/300 mm RG-316LL Cable (xxx=100/200/300)	Yes	Start of Production	Now Available
CSL-SAFE-xxx-MMMR	SMA Female Sealed Bulkhead to Right Angle MMCX Male with 100/200/300 mm RG-316LL Cable (xxx=100/200/300)	Yes	Start of Production	Now Available
CSL-RSFE-xxx-MMMR	RP-SMA Female Sealed Bulkhead to Right Angle MMCX Male with 100/200/300 mm RG-316LL Cable (xxx=100/200/300)	Yes	Start of Production	Now Available