

6

5

4

3

2

1

D

C

B

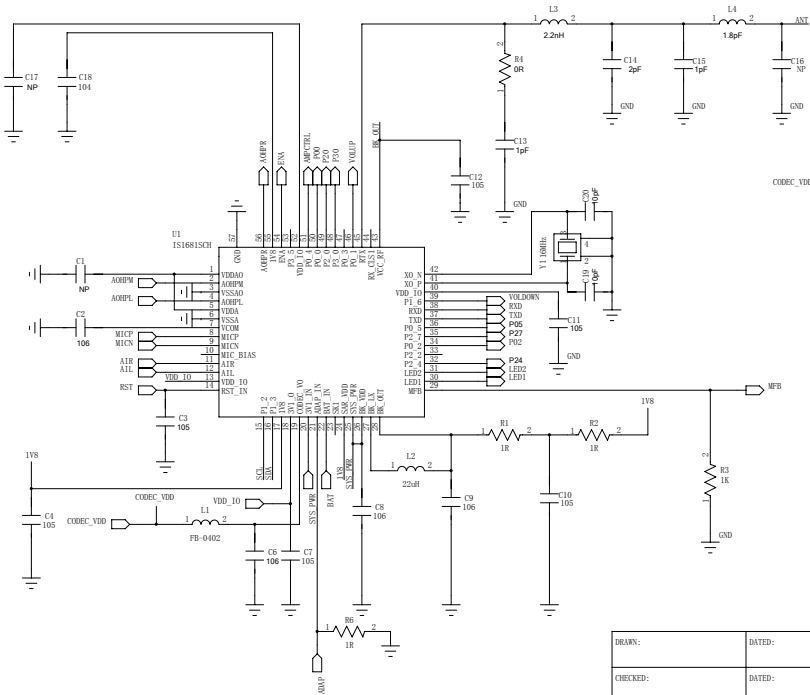
A

D

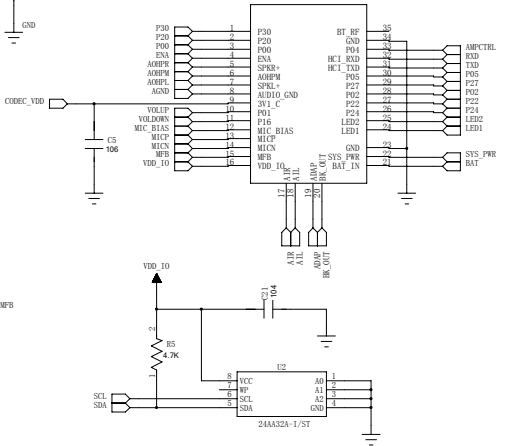
C

B

A

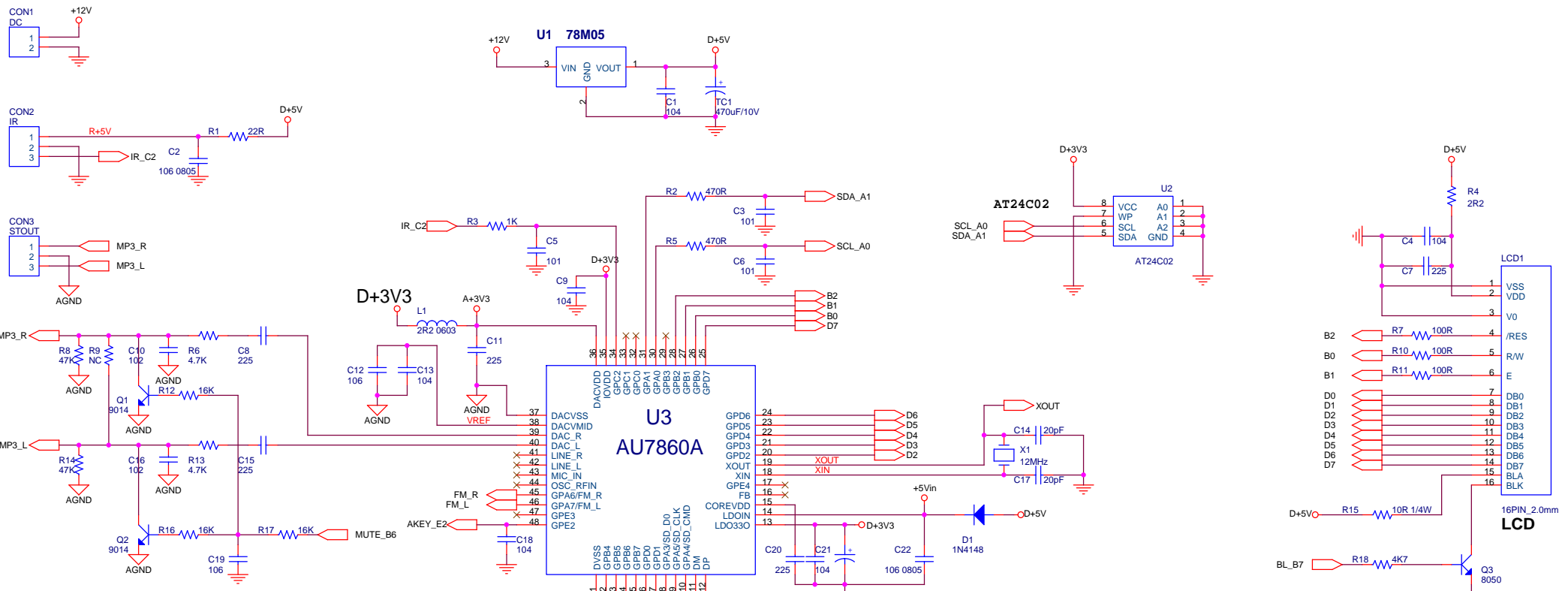


REVISION RECORD			
LTR	ECO NO.	APPROVED:	DATE:

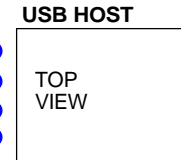
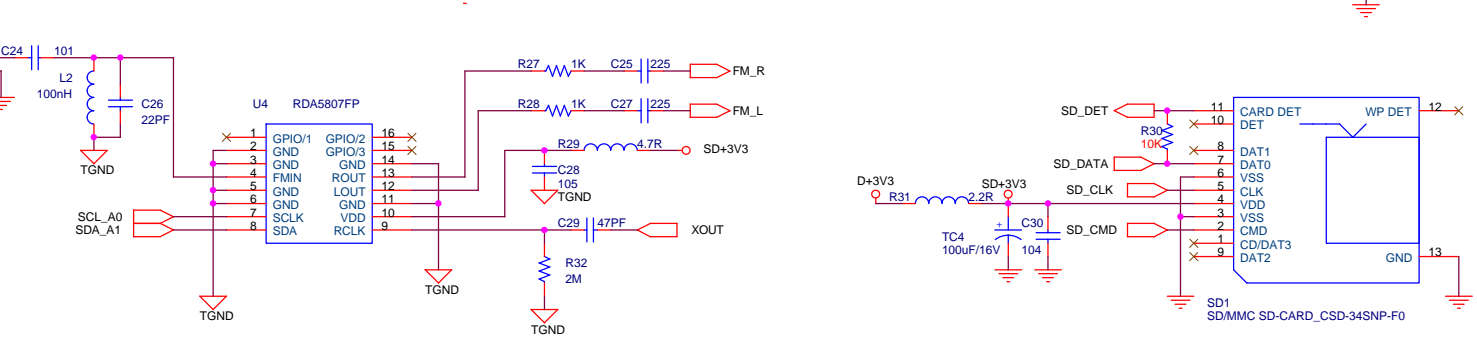
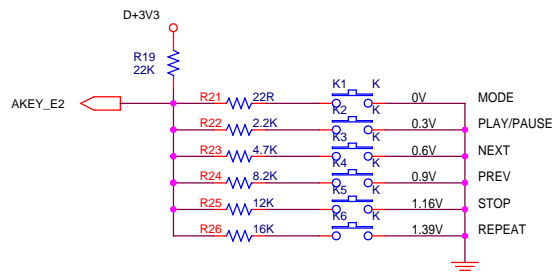


COMPANY:			
TITLE:			
CODE:	SIZE:	DRAWING NO:	REV:
B			
SCALE:			SHEET: 1 OF 1

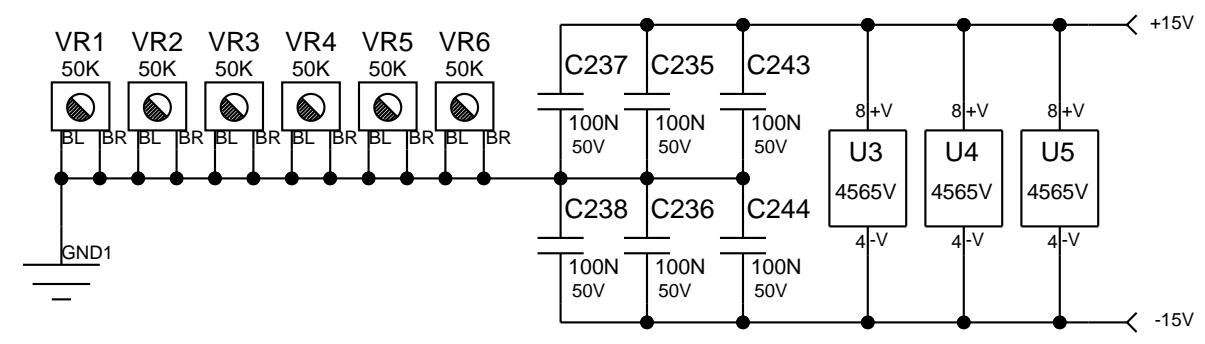
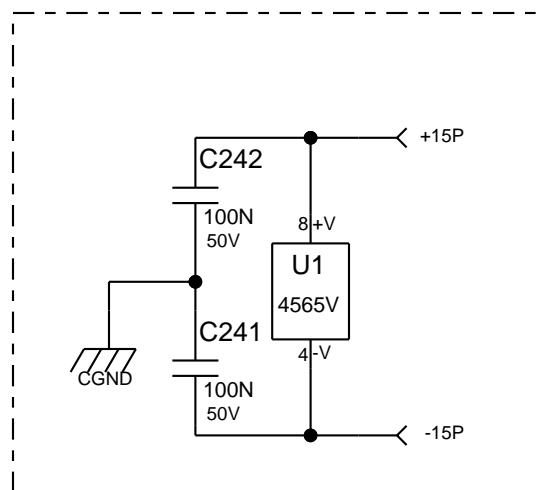
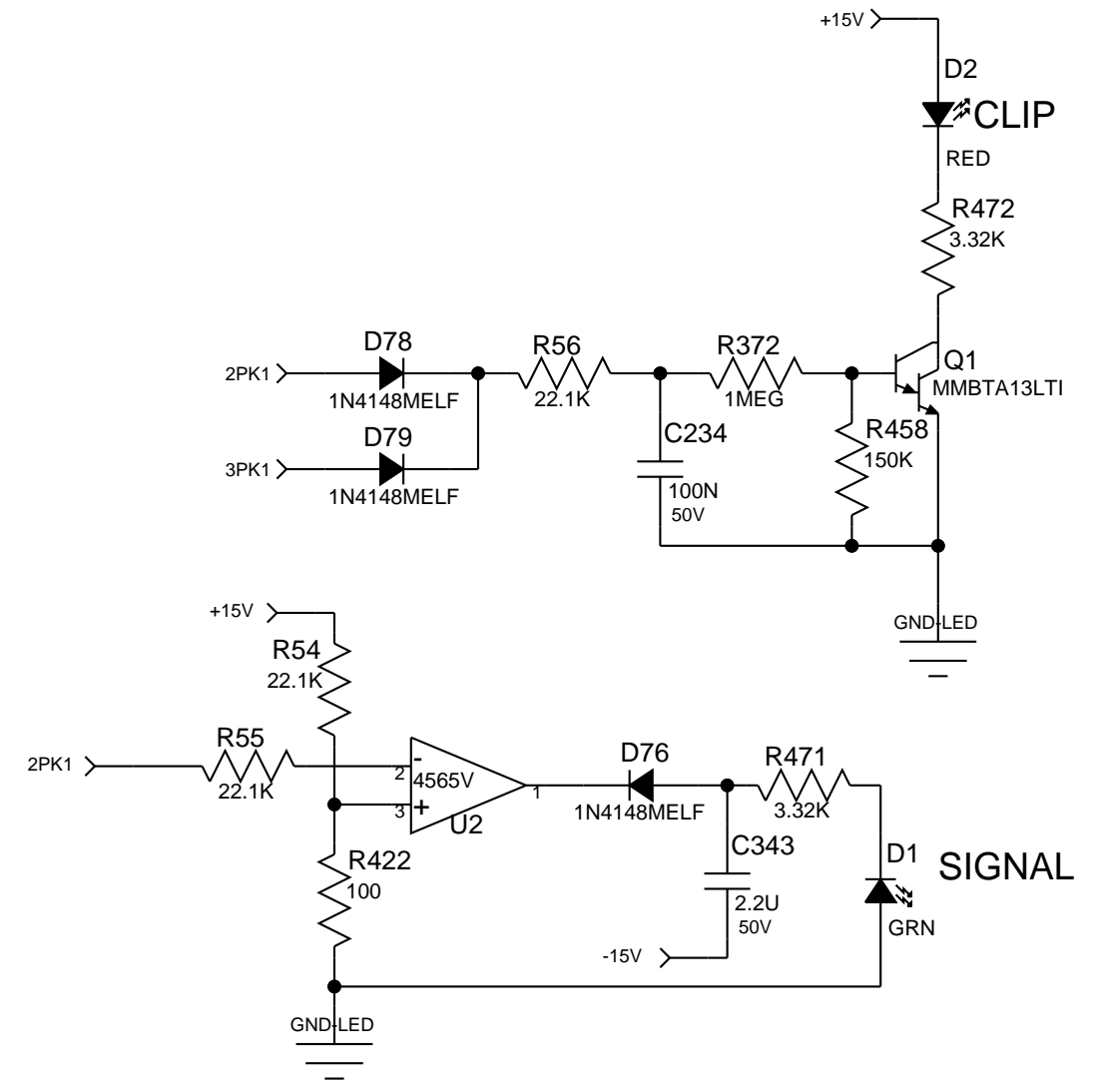
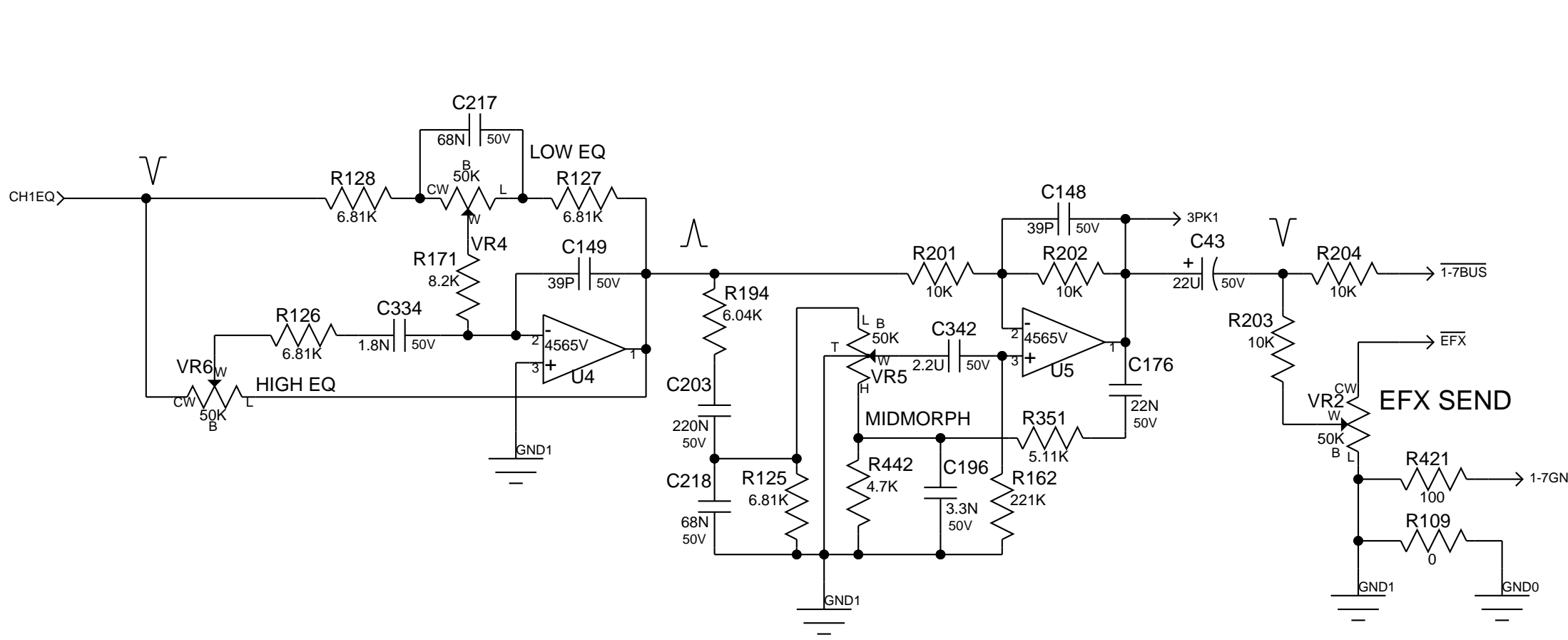
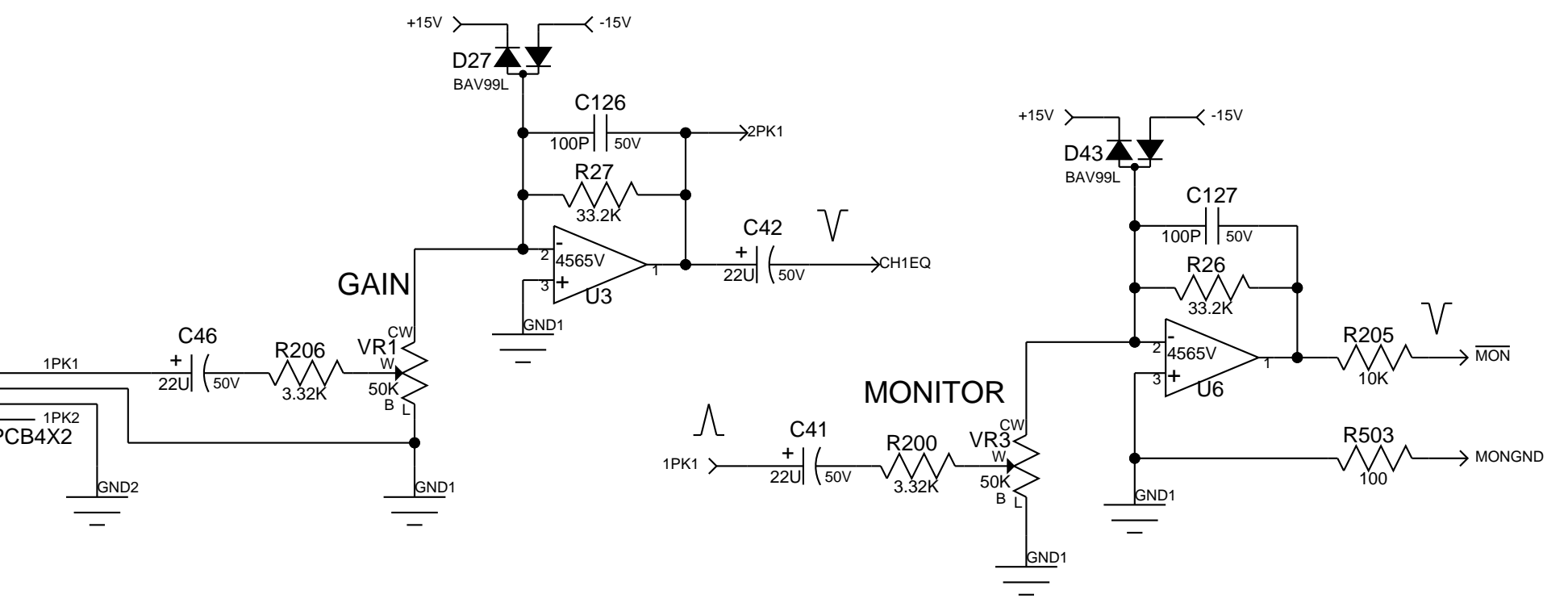
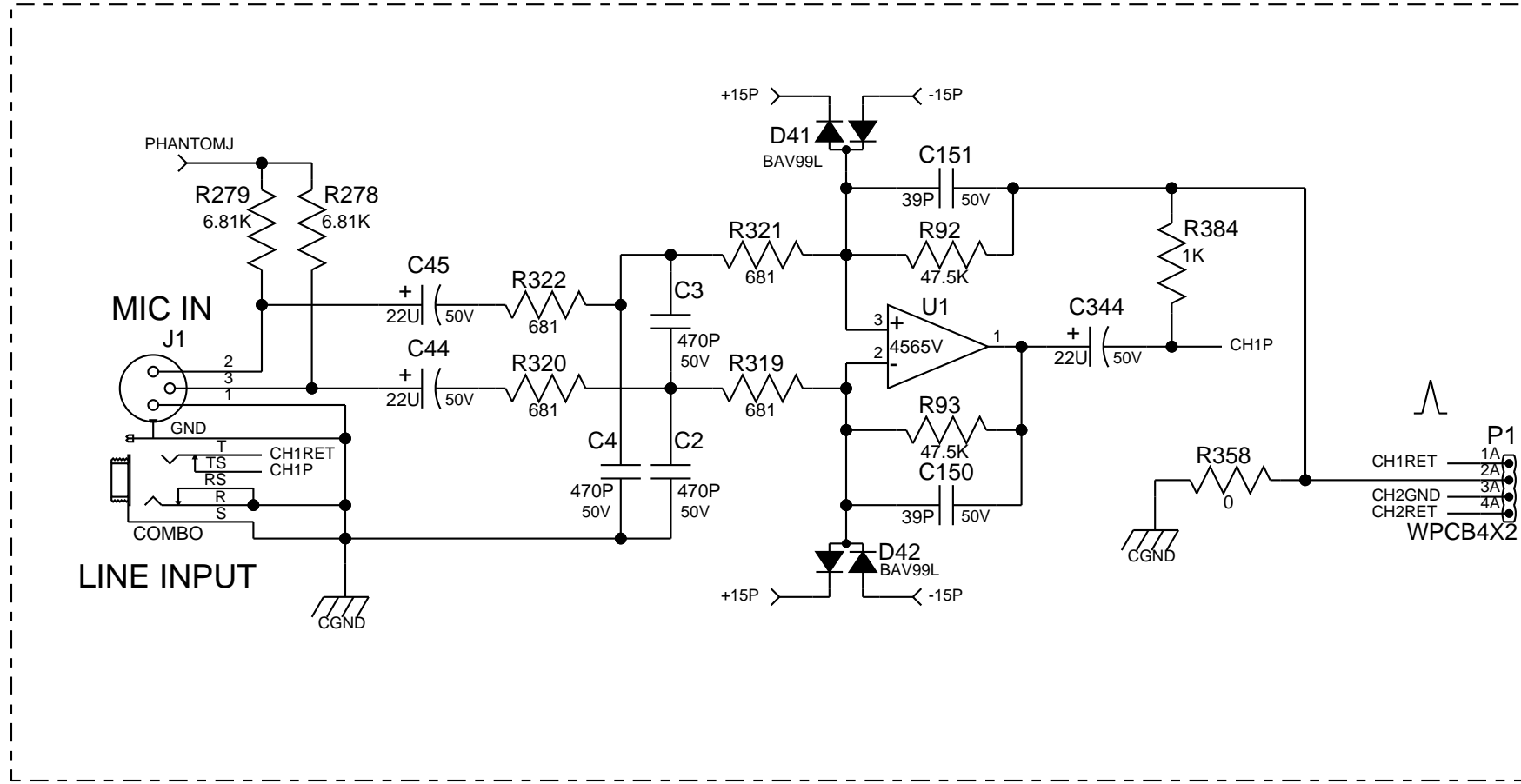
DRAWN:	DATED:
CHECKED:	DATED:
QUALITY CONTROL:	DATED:
RELEASED:	DATED:



AU7860音频地 (AGND) 和数字地 (DGND) 要独立分开



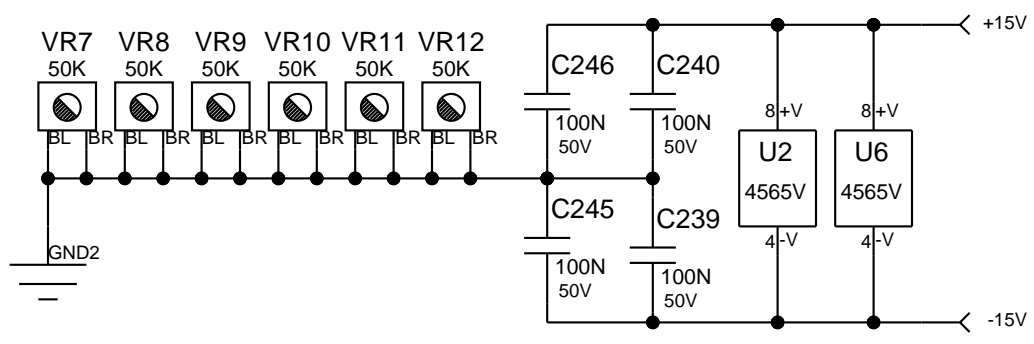
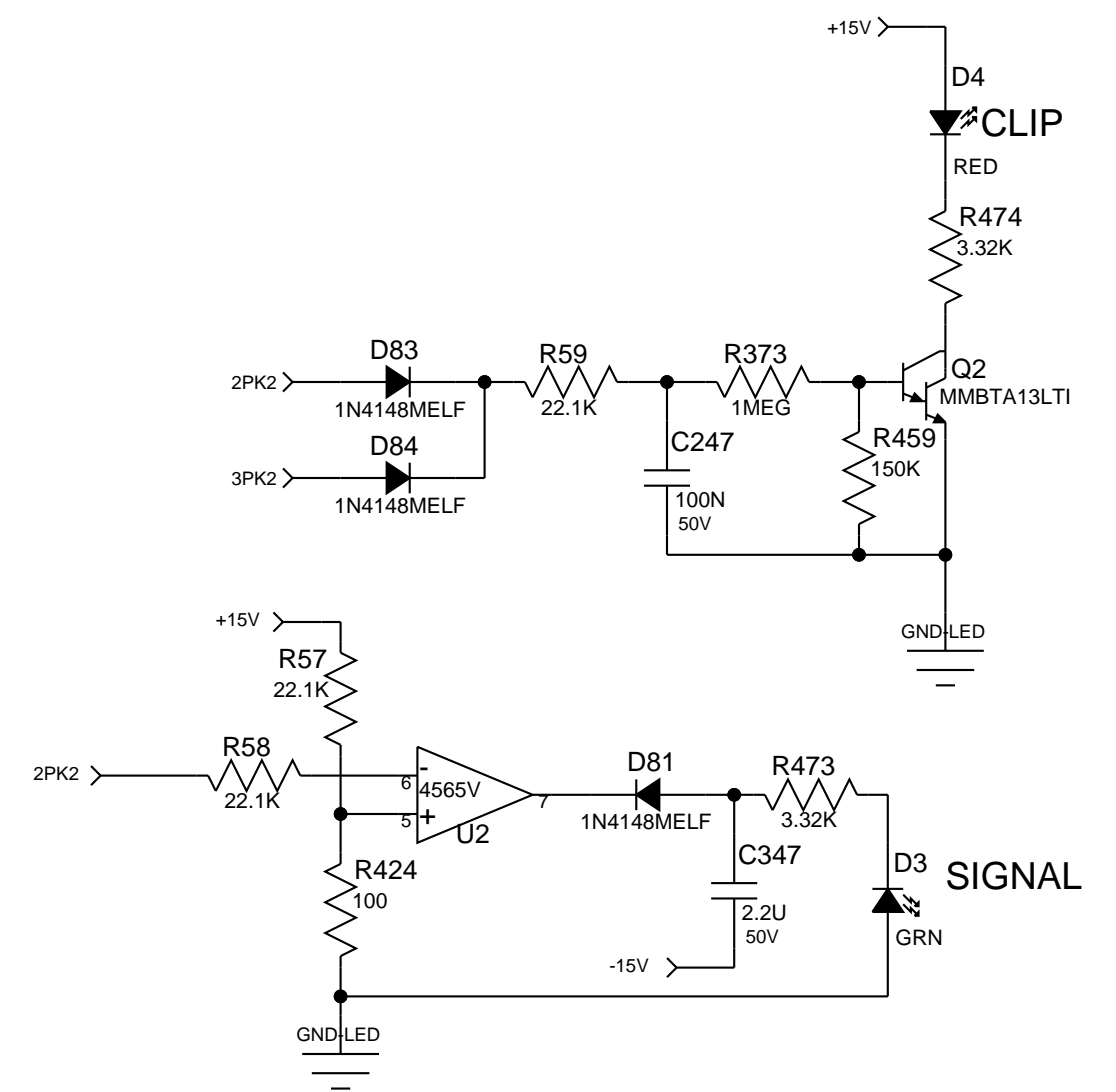
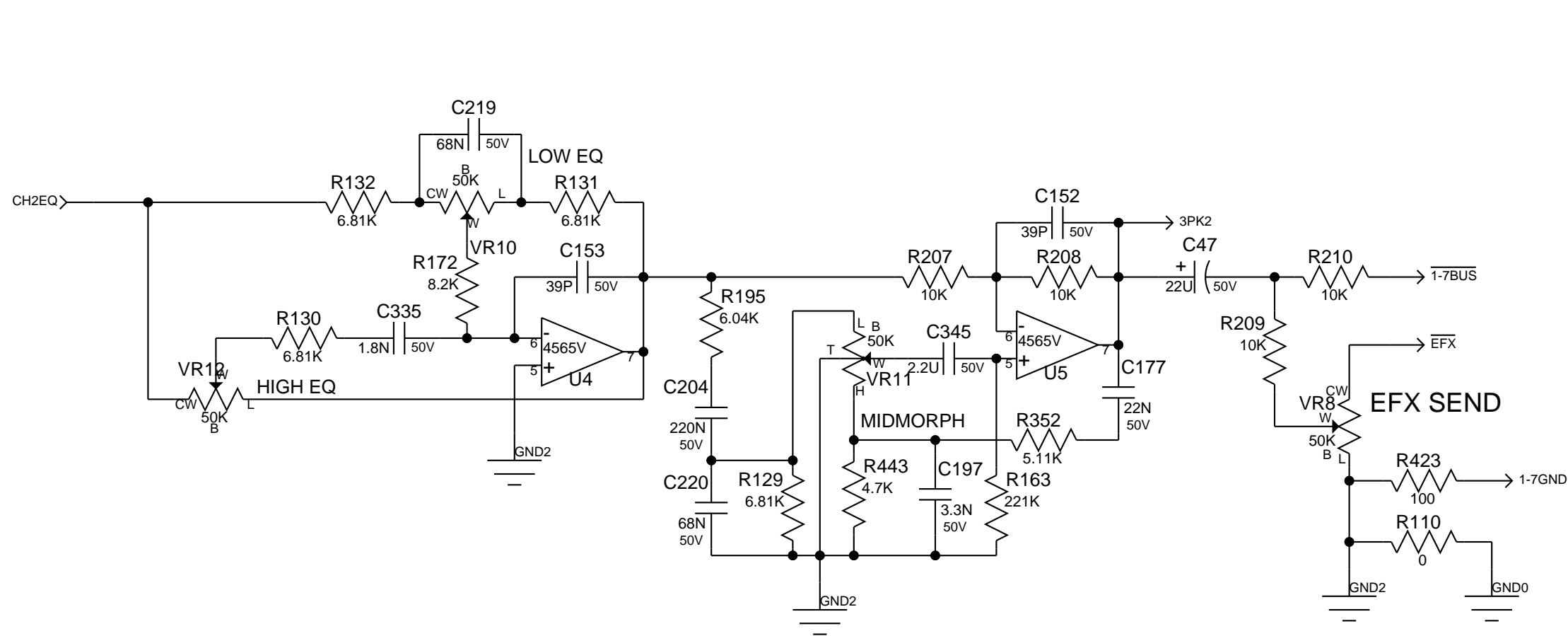
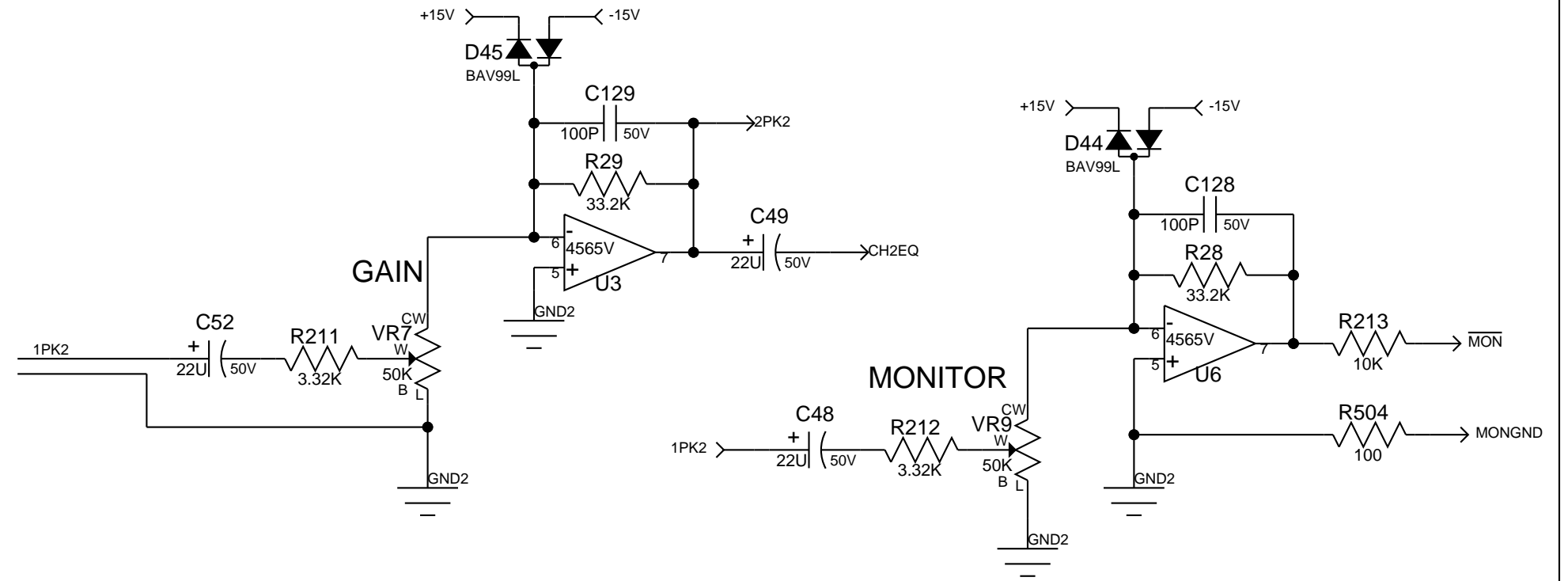
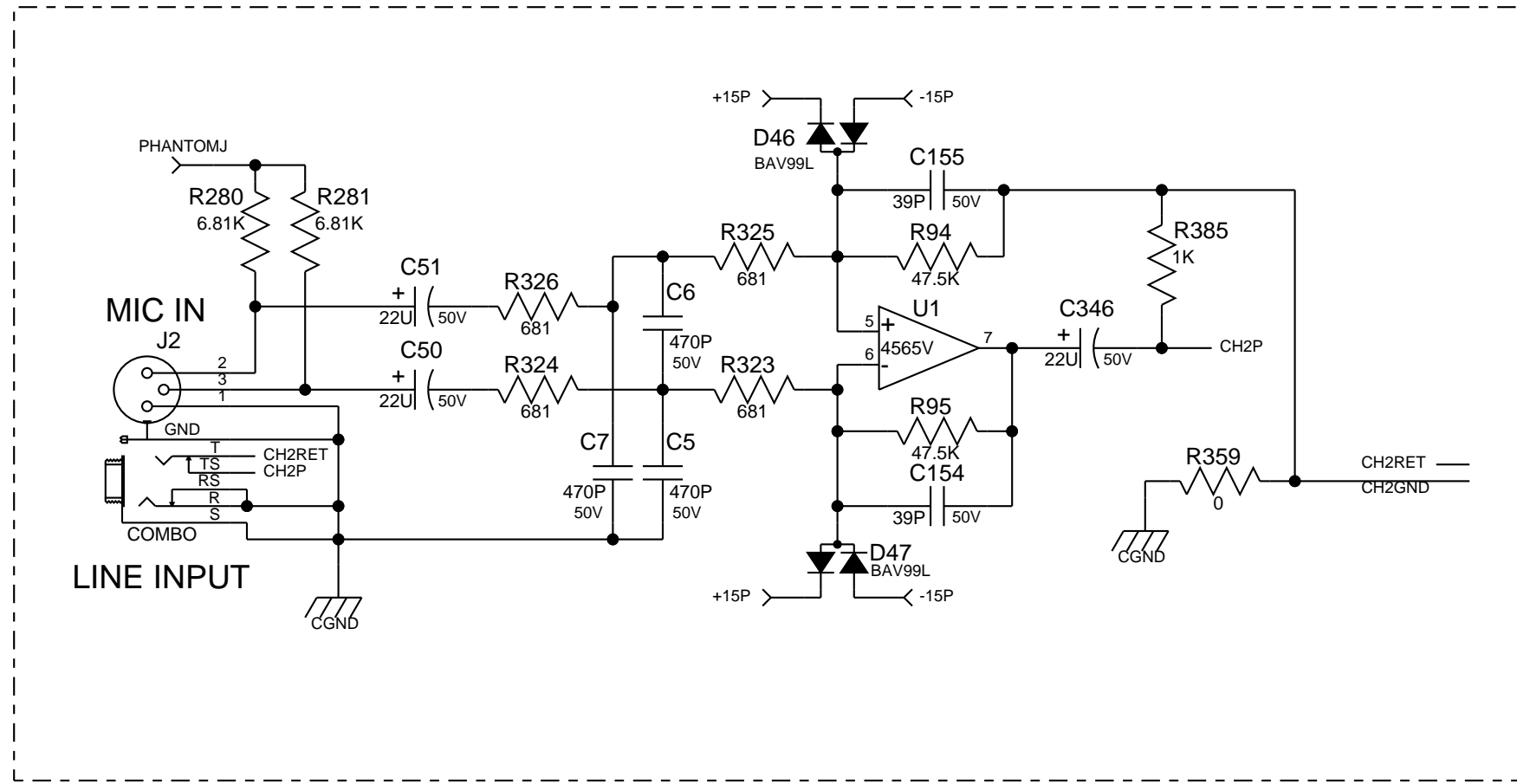
FocusAV TECH LTD.			
Title	<Title> AU7860		
Size	Document Number	WWW.FAV-TECH.COM	
A3	<Doc>	Rev <RevCode>	
Date:	Thursday, August 23, 2012	Sheet	1 of 1



PEAVEY
 Peavey Electronics Corp.
 P. O. Box 2898
 Meridian, MS 39301

Title: PVI8500
 Sheet Title: CHANNEL 1

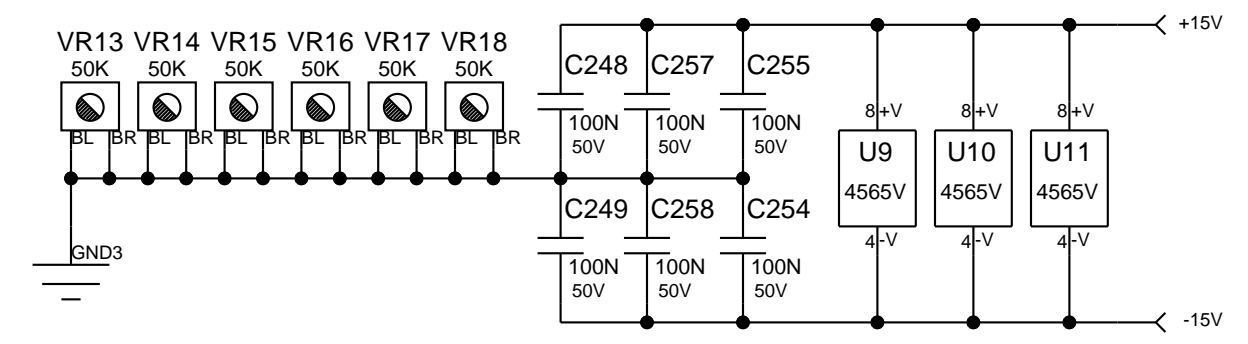
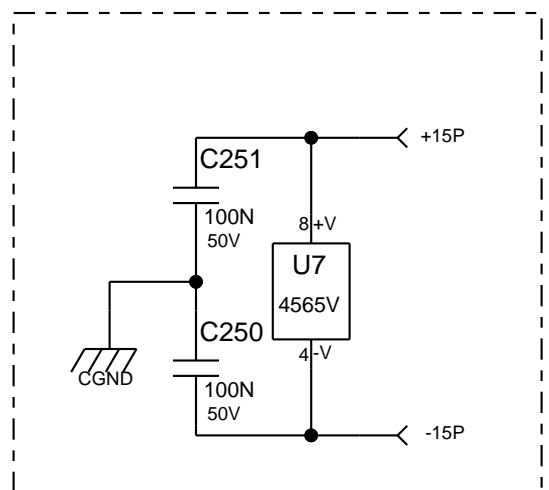
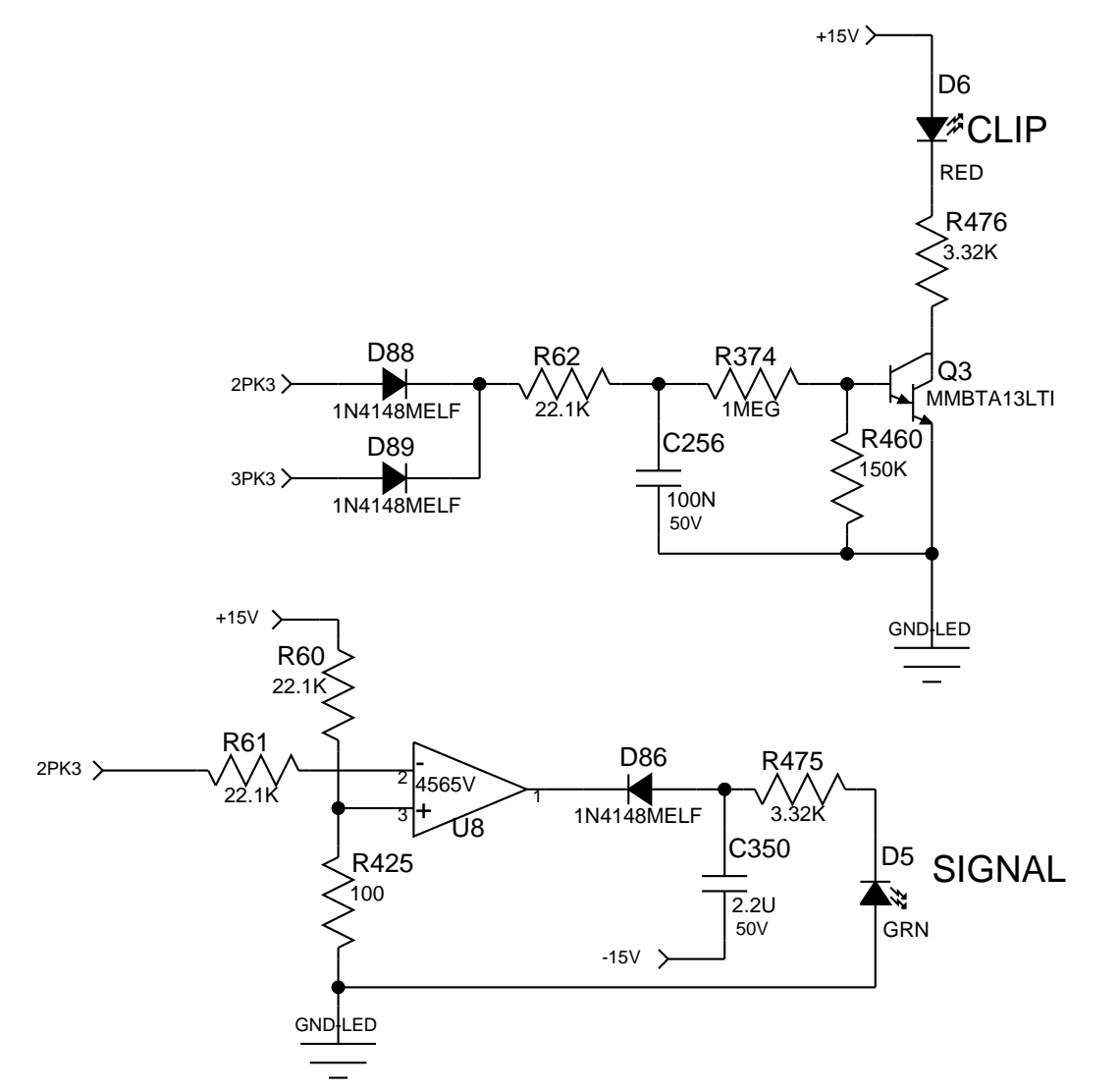
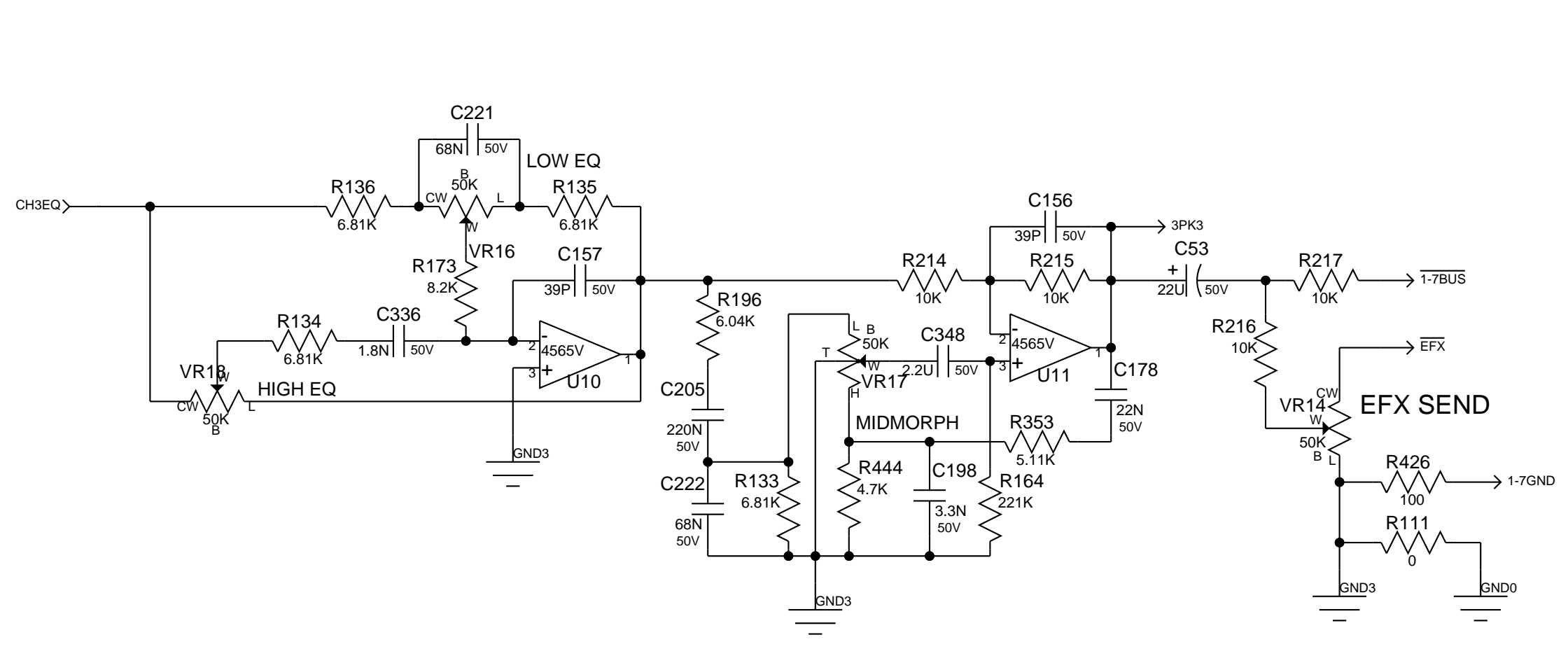
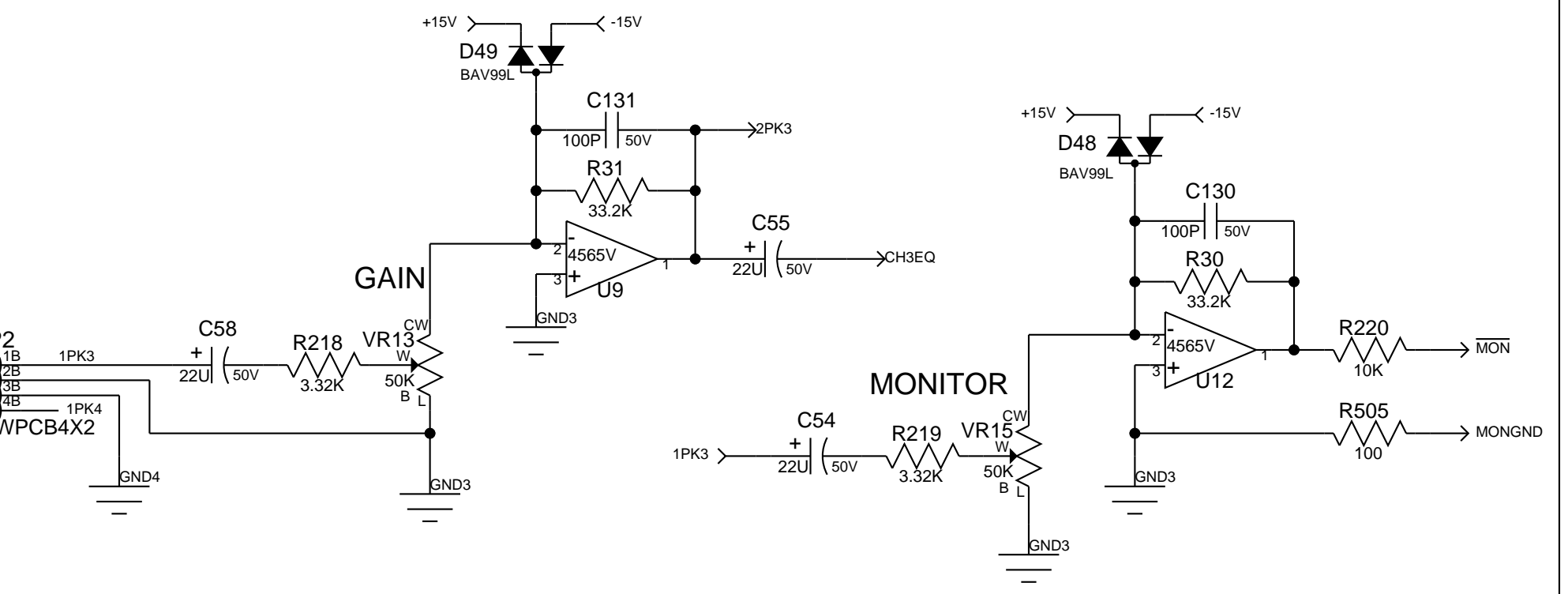
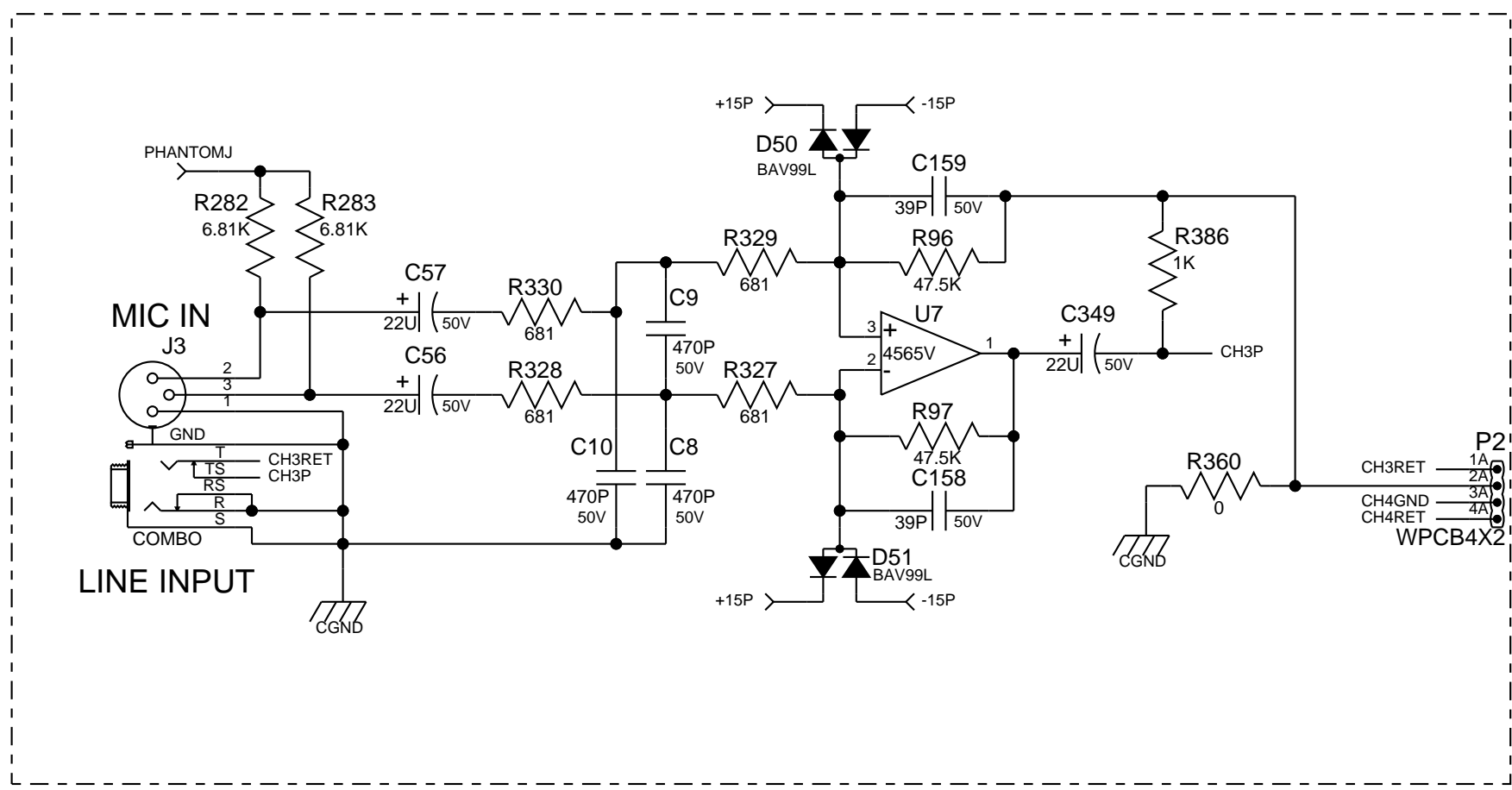
C Sheet 2 of 13 Date: 7-20-2011_8:35



PEAVEY
 Peavey Electronics Corp.
 P. O. Box 2898
 Meridian, MS 39301

Title: **PVI8500**
 Sheet Title: **CHANNEL 2**

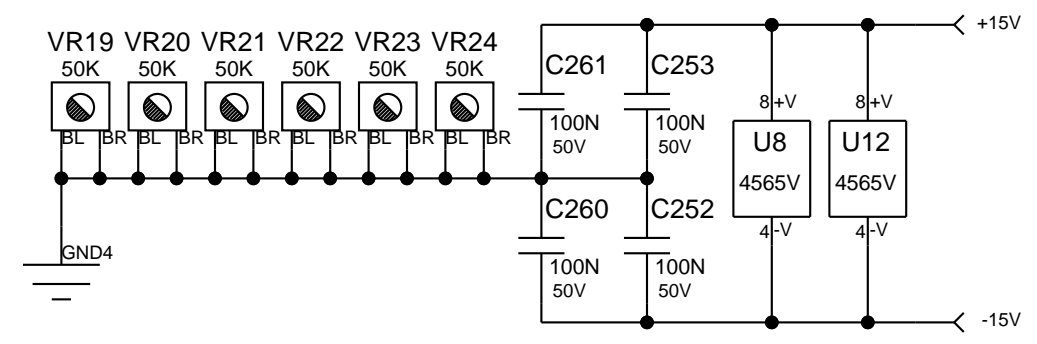
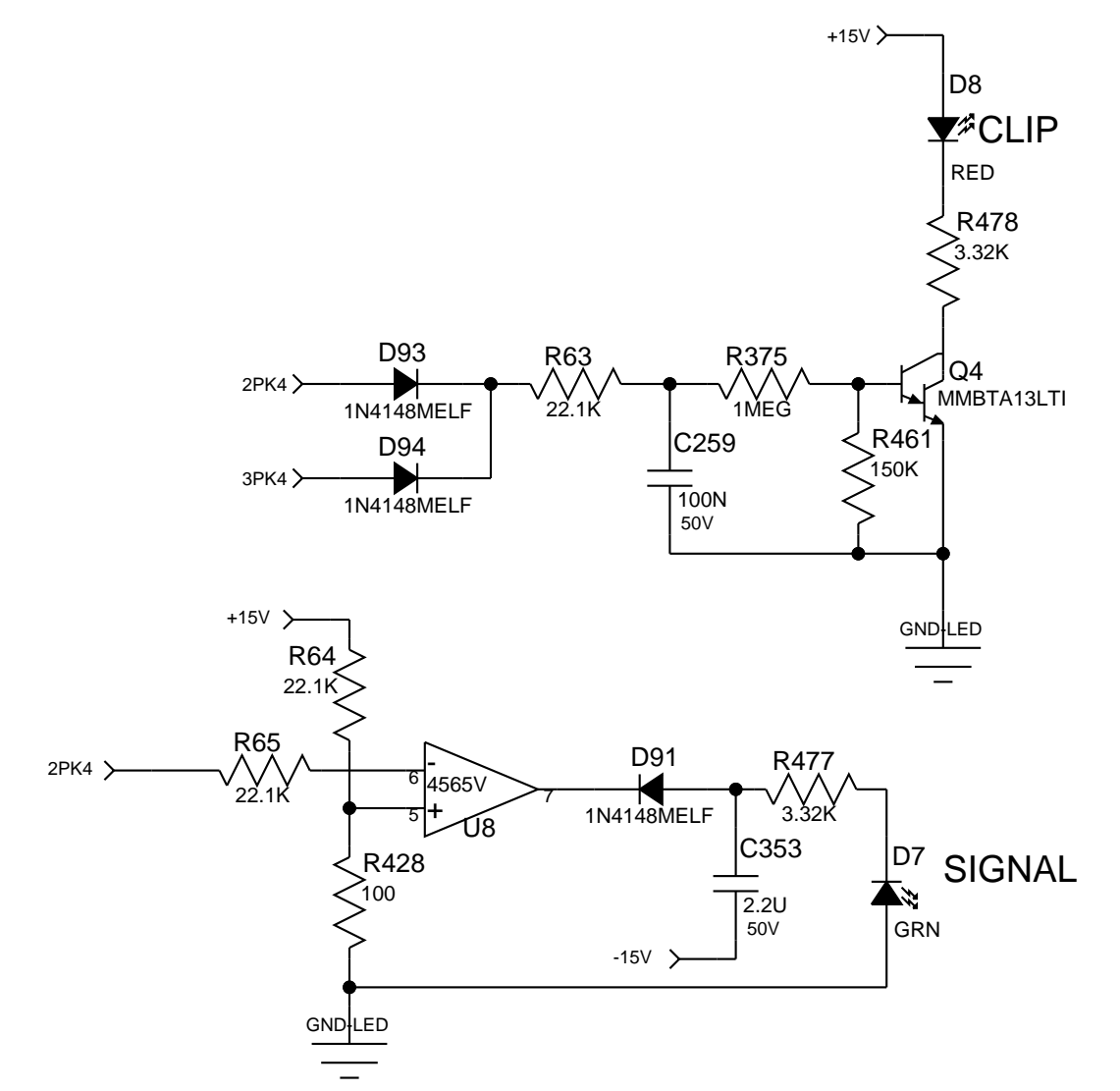
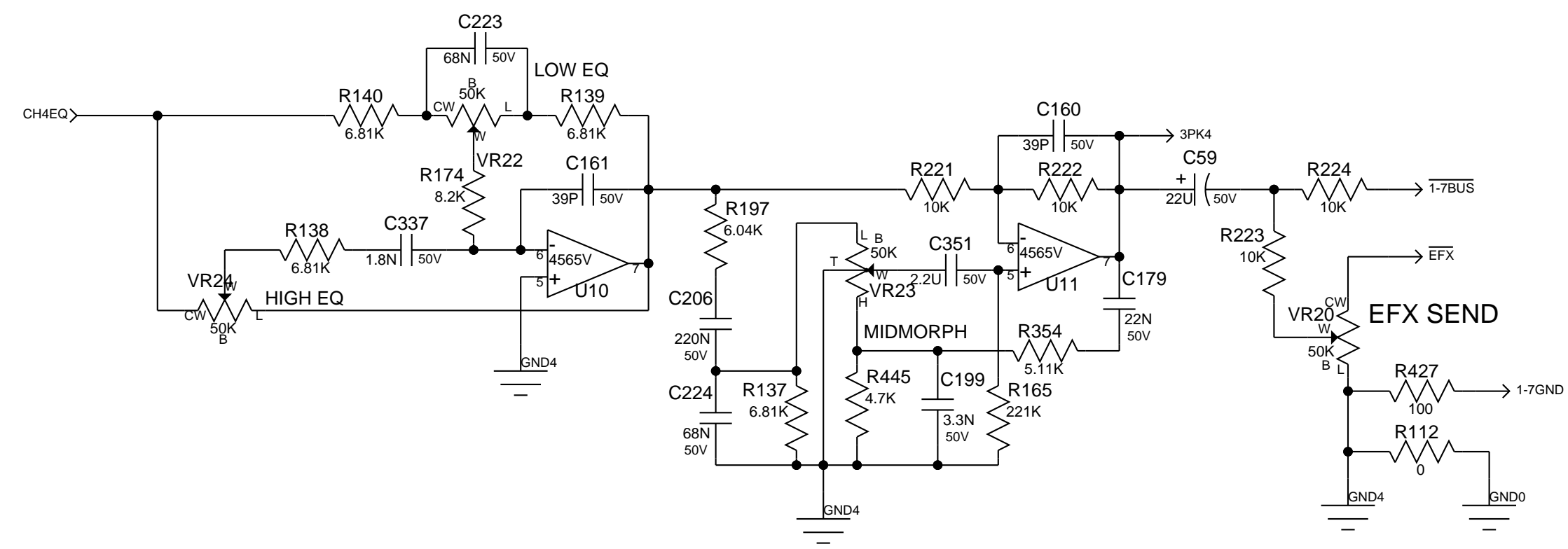
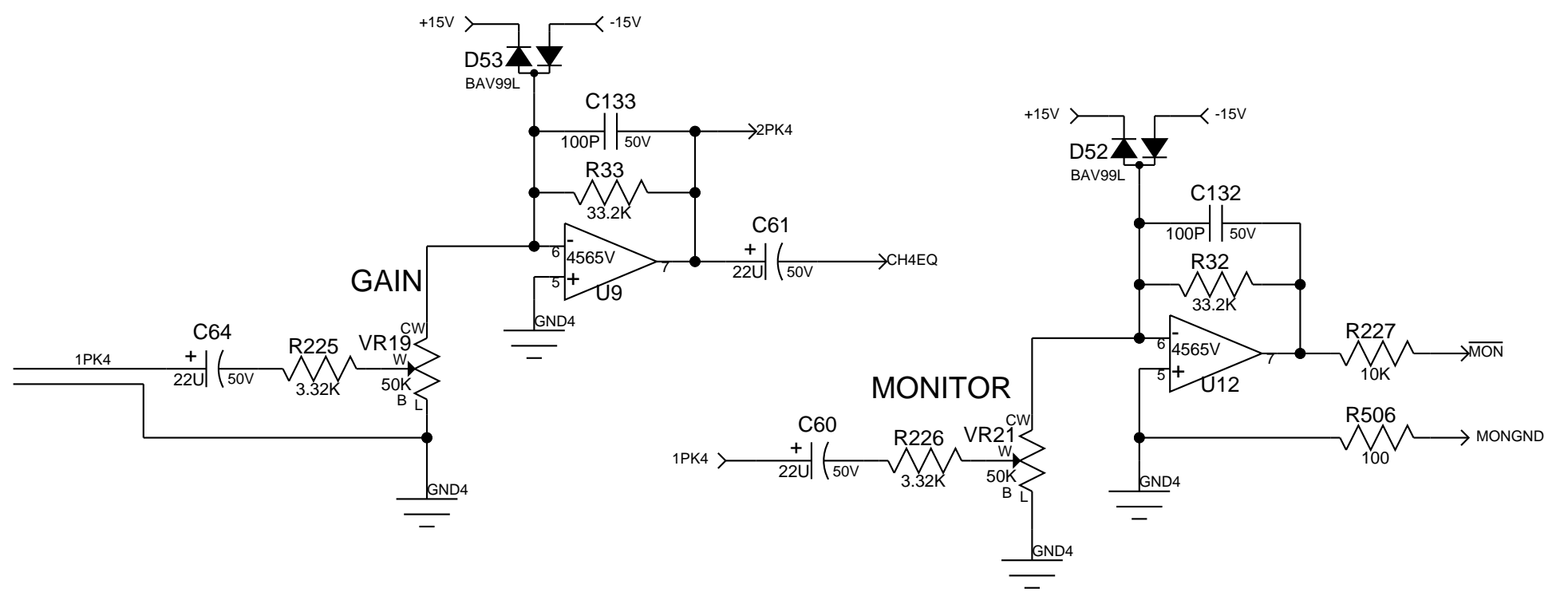
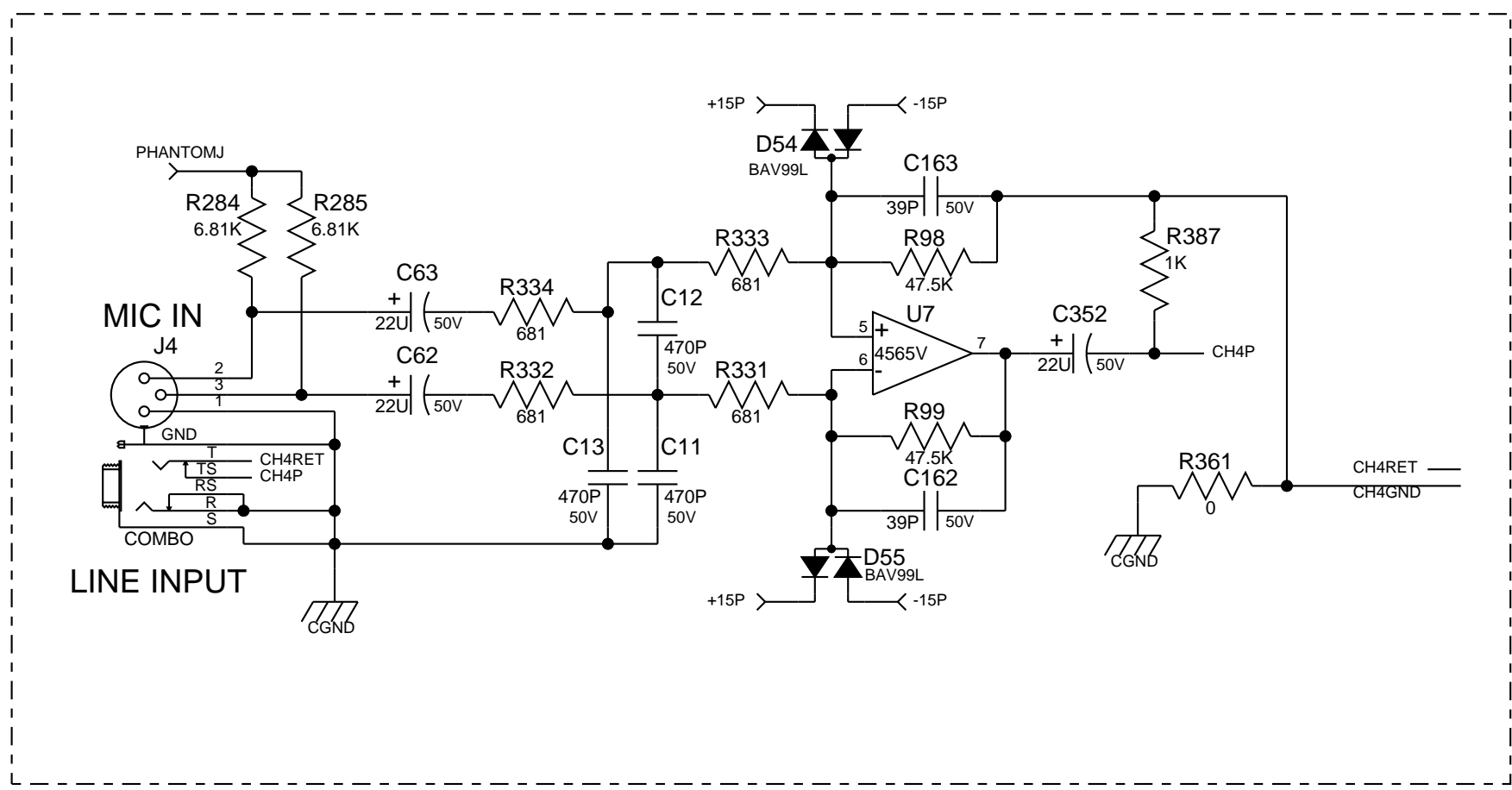
C Sheet 3 of 13 Date: 7-20-2011_8:35



PEAVEY
 Peavey Electronics Corp.
 P. O. Box 2898
 Meridian, MS 39301

Title: **PVI8500**
 Sheet Title: **CHANNEL 3**

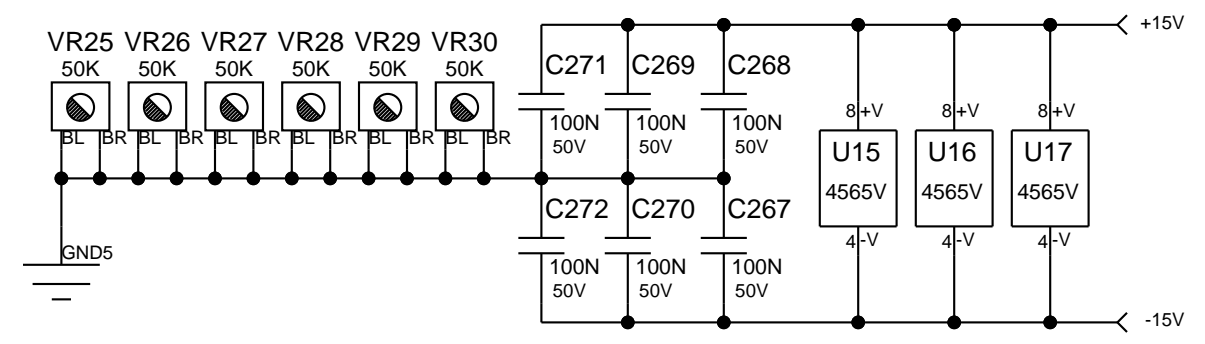
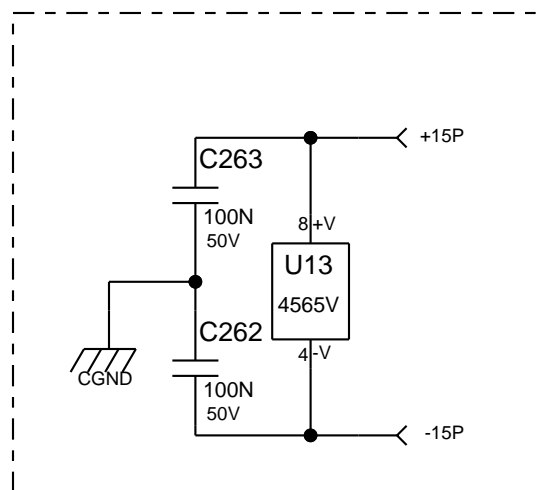
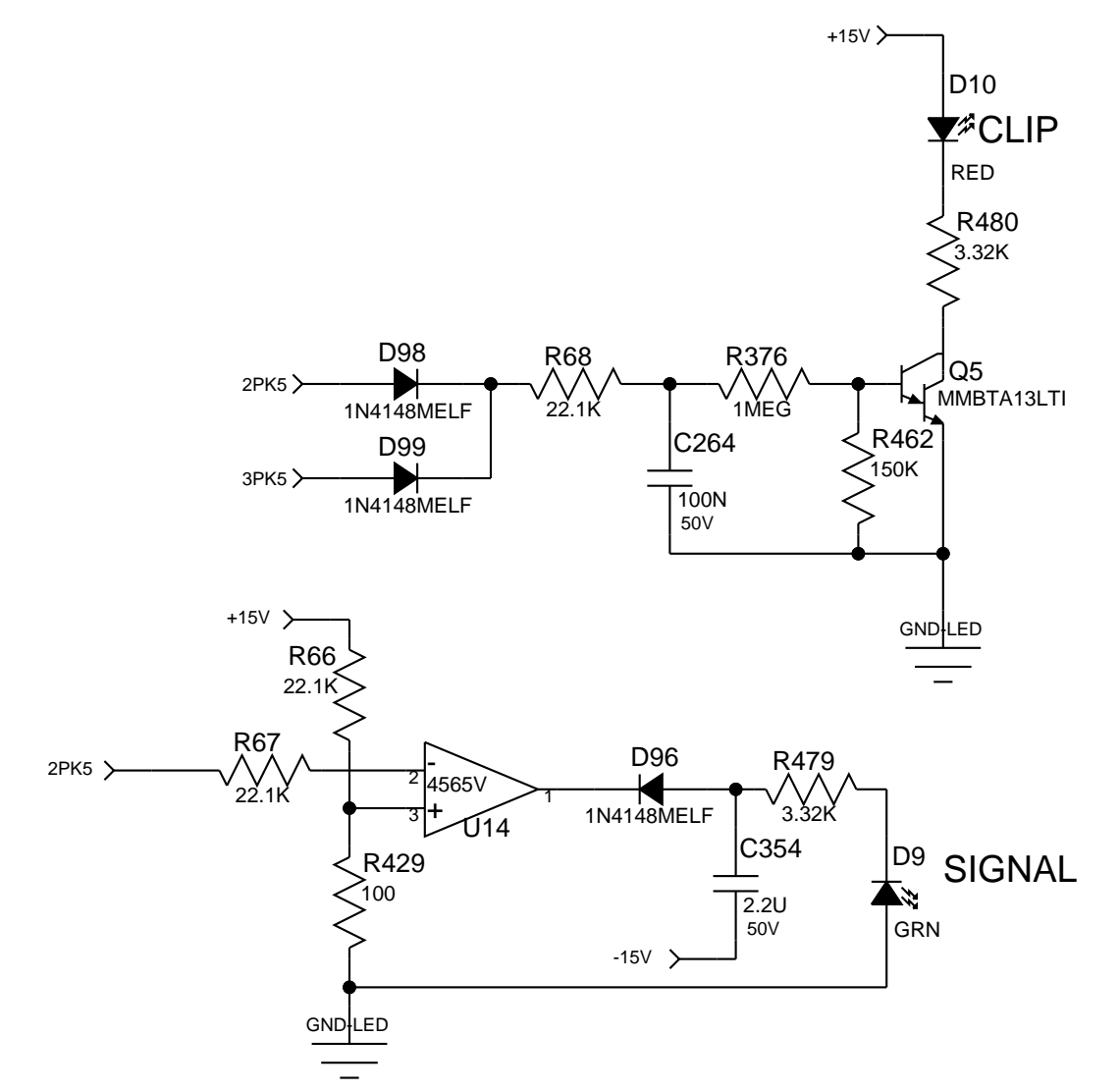
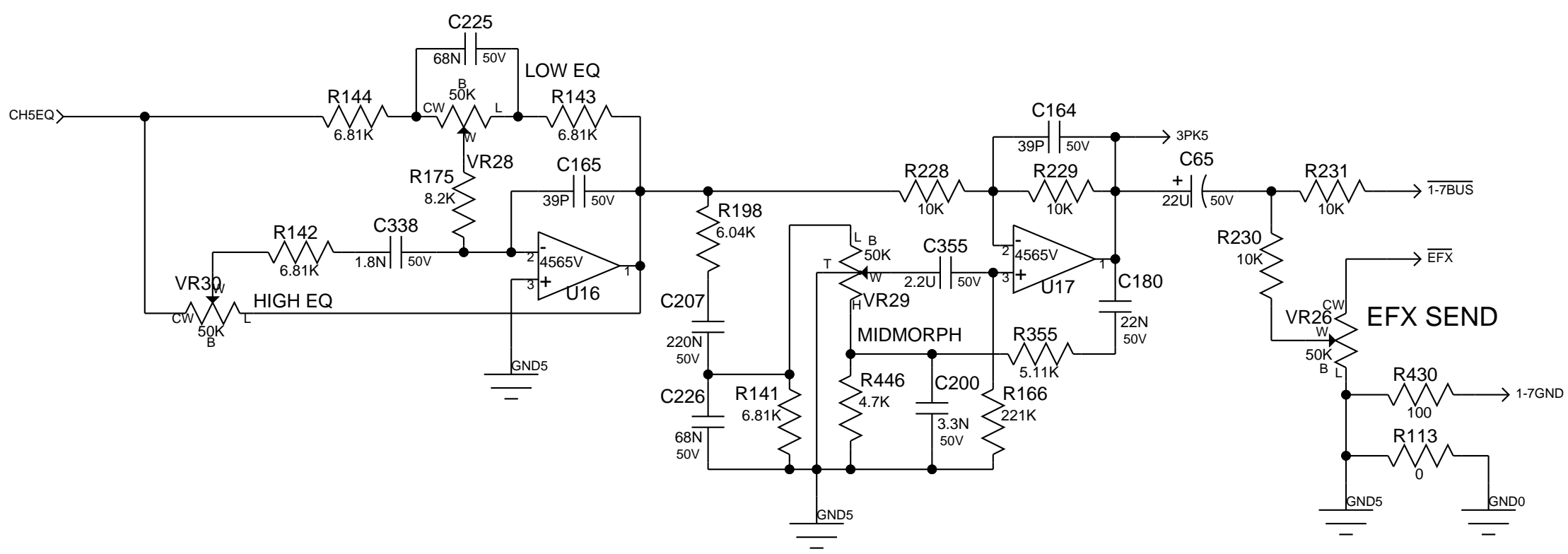
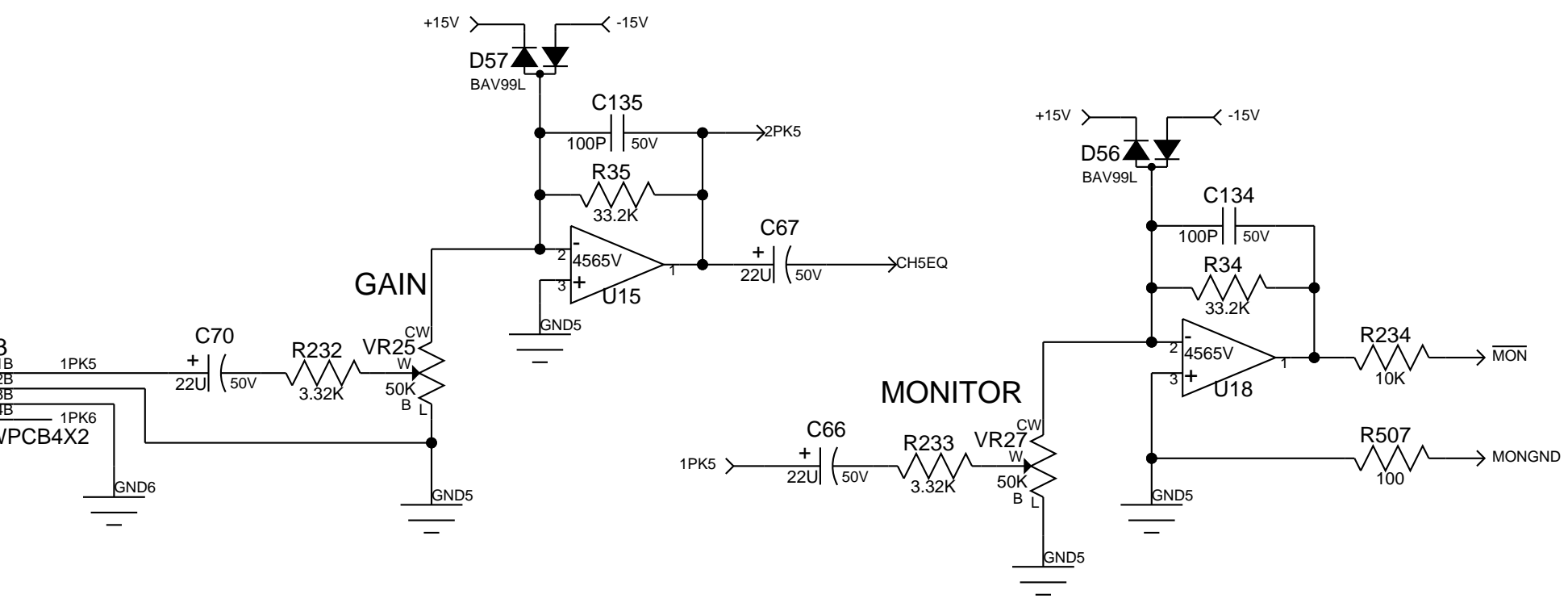
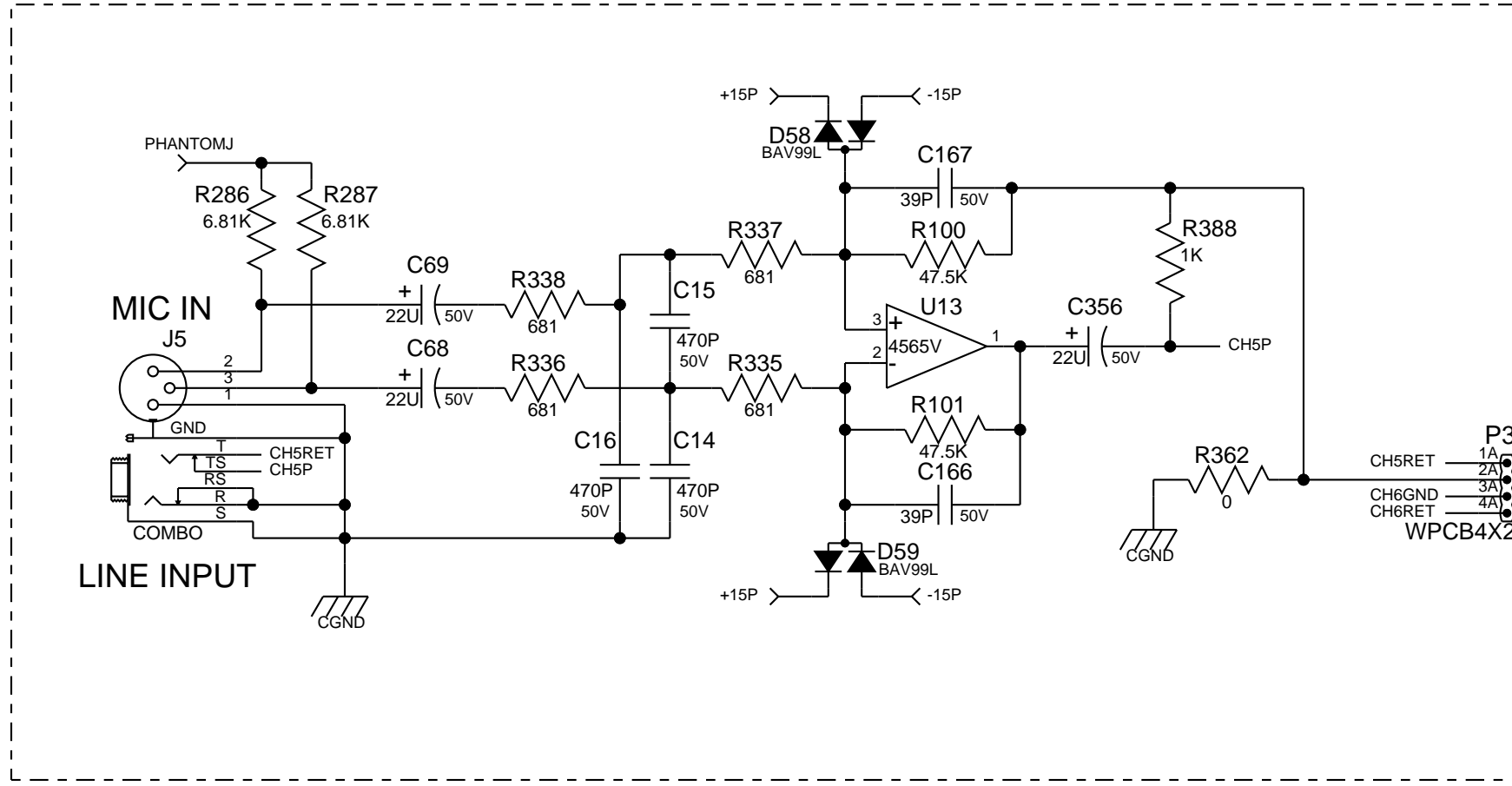
C Sheet 4 of 13 Date: 7-20-2011_8:35



PEAVEY
 Peavey Electronics Corp.
 P. O. Box 2898
 Meridian, MS 39301

Title: PVI8500
 Sheet Title: CHANNEL 4

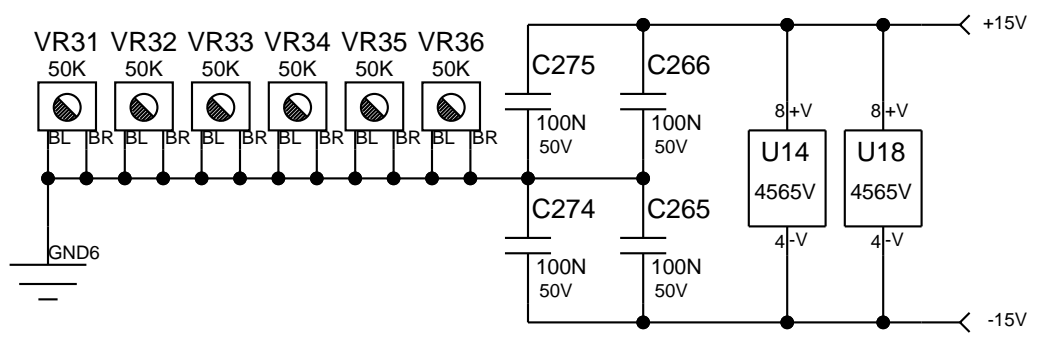
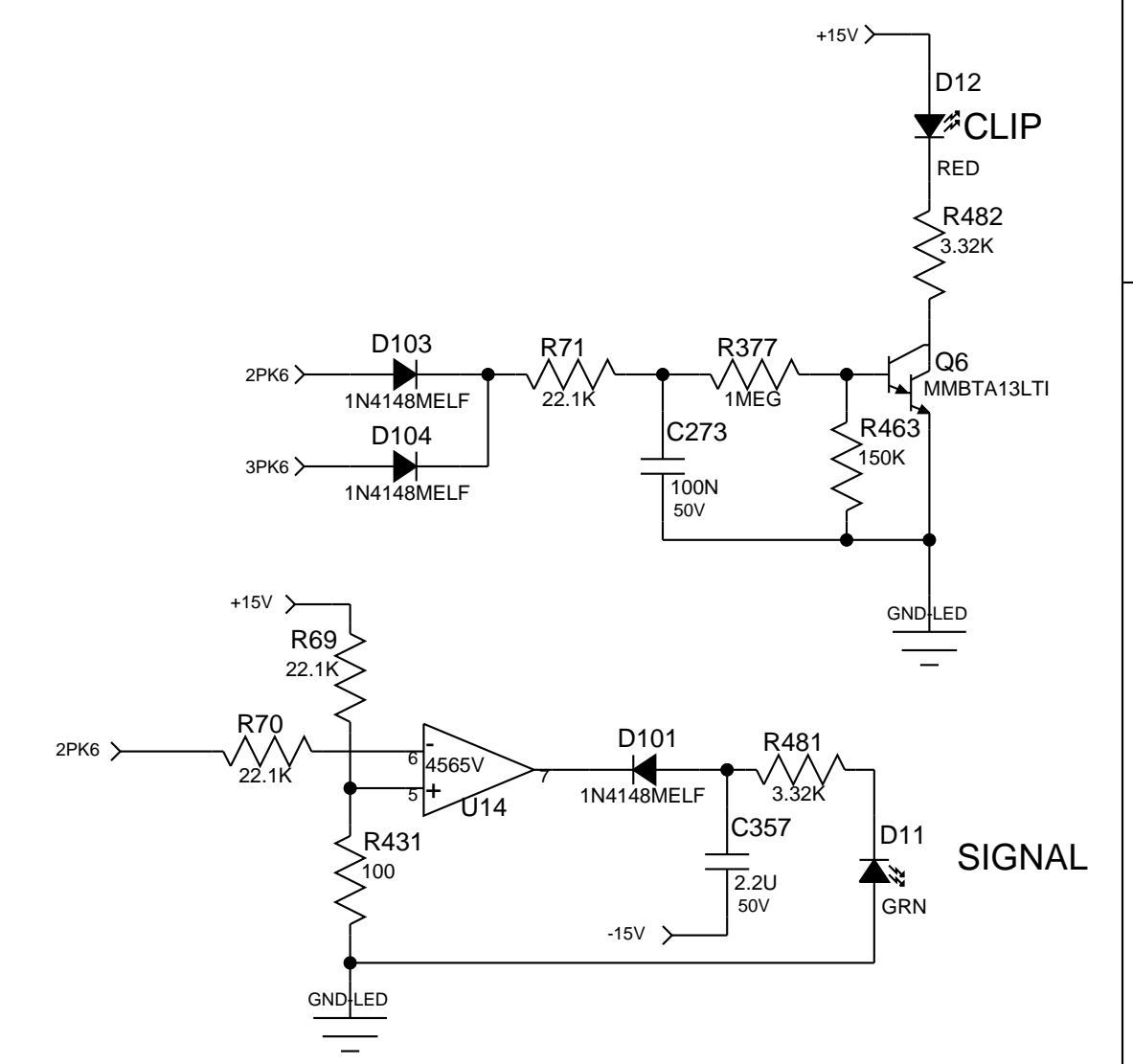
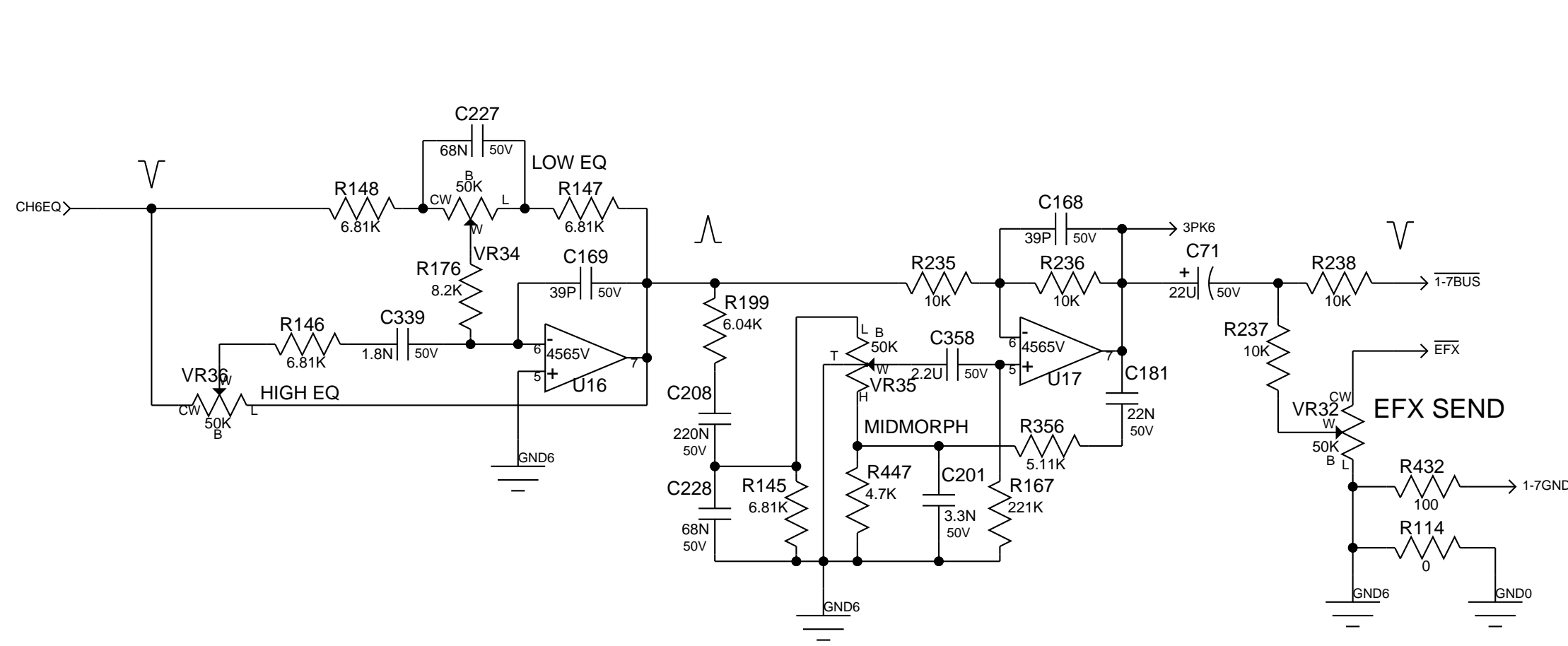
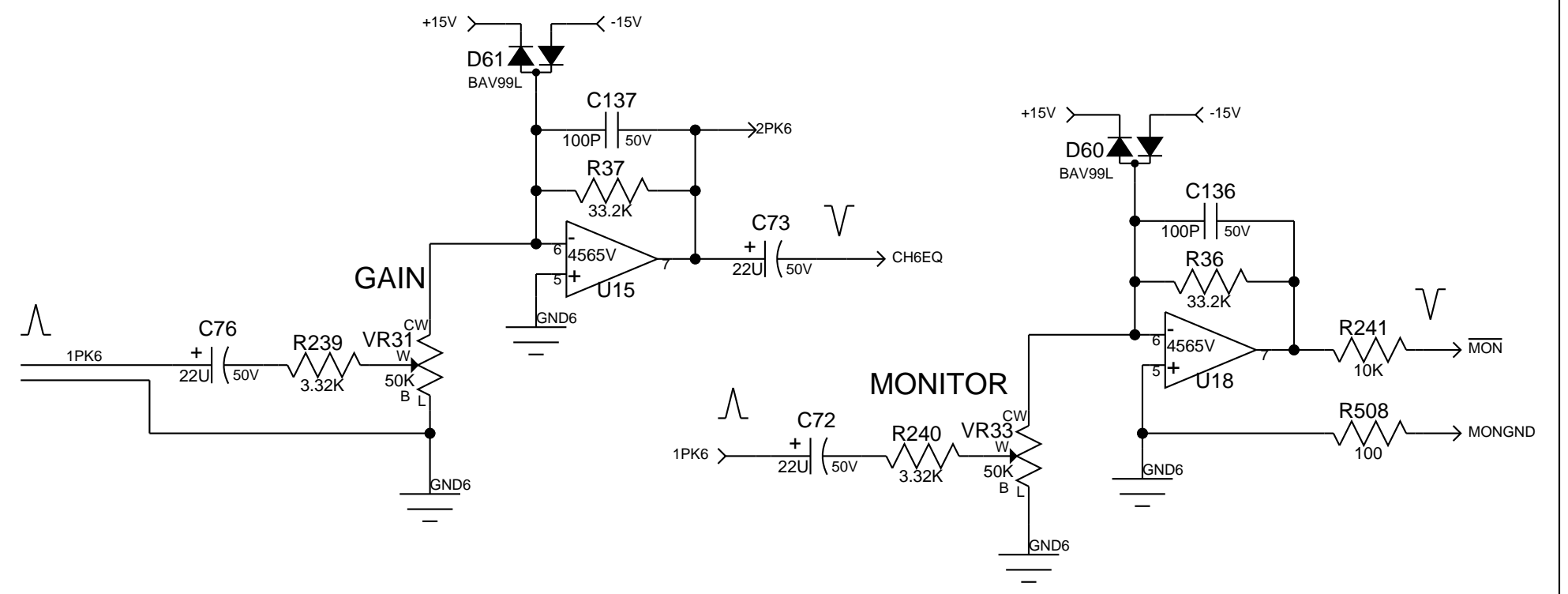
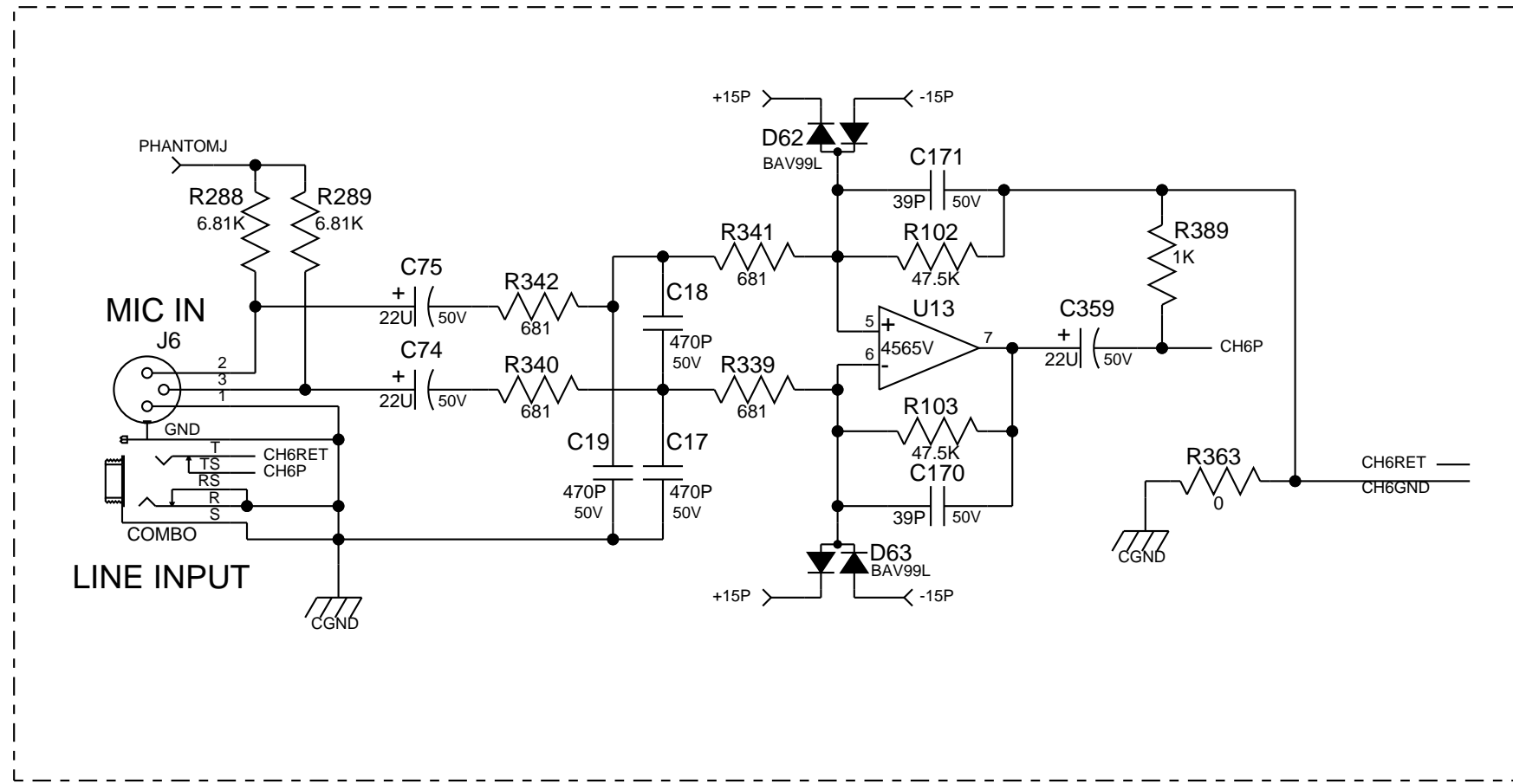
C Sheet 5 of 13 Date: 7-20-2011_8:35



PEAVEY
Peavey Electronics Corp.
P. O. Box 2898
Meridian, MS 39301

Title: **PVI8500**
Sheet Title: **CHANNEL 5**

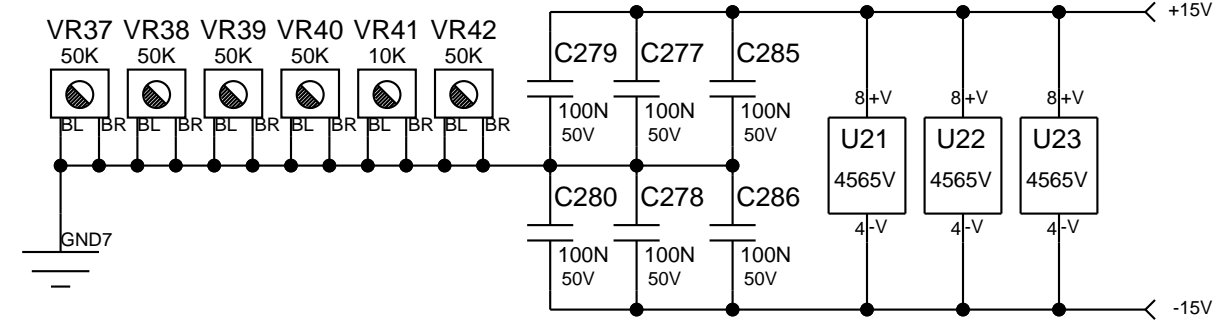
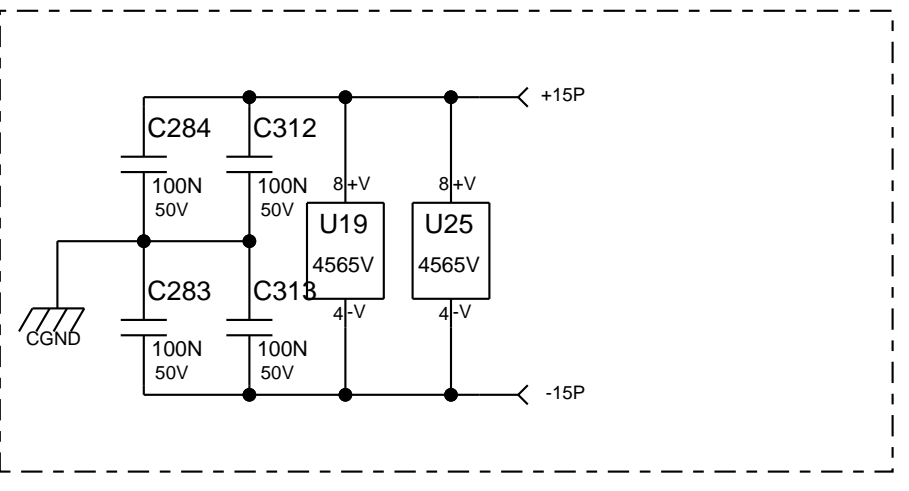
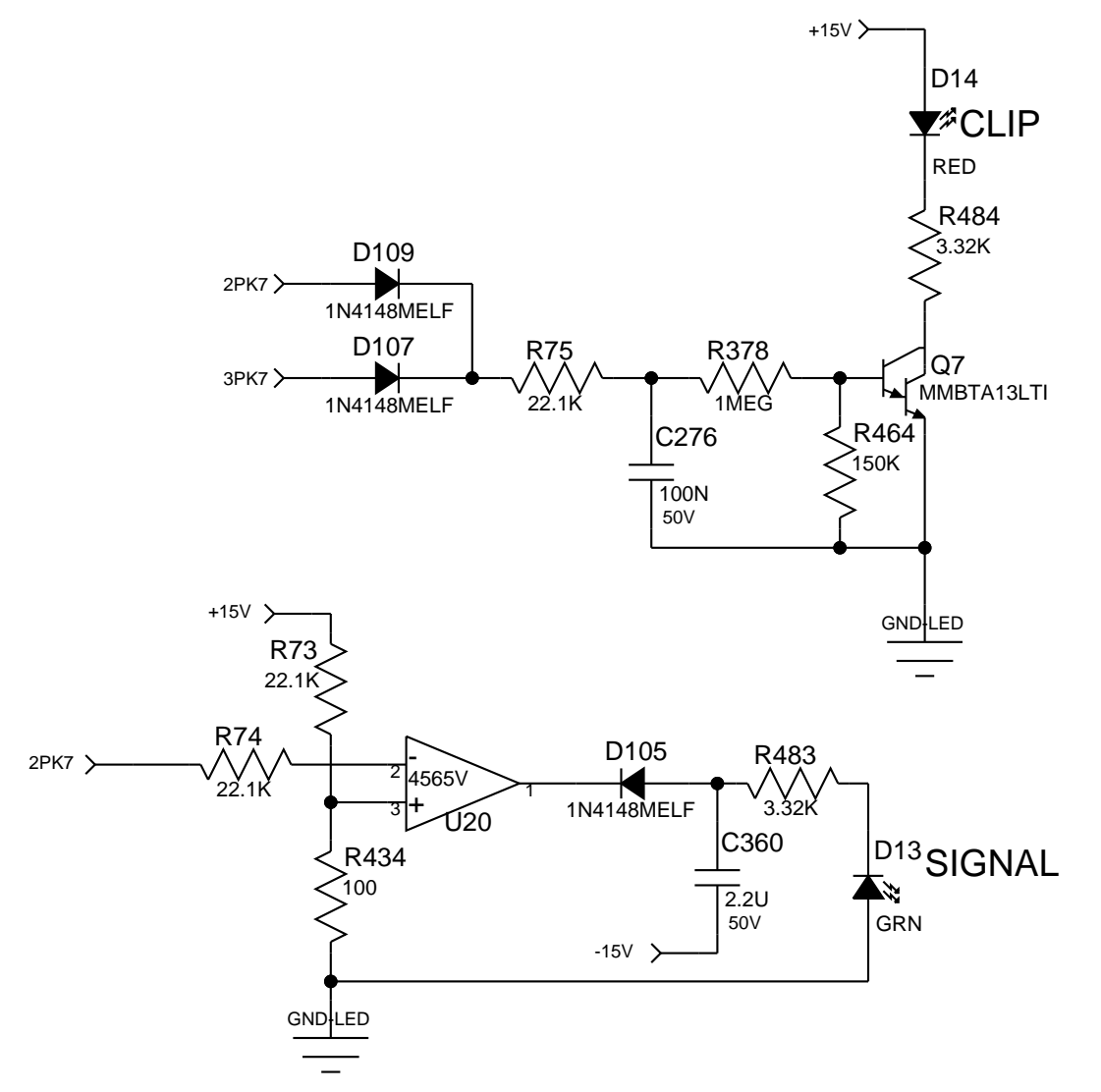
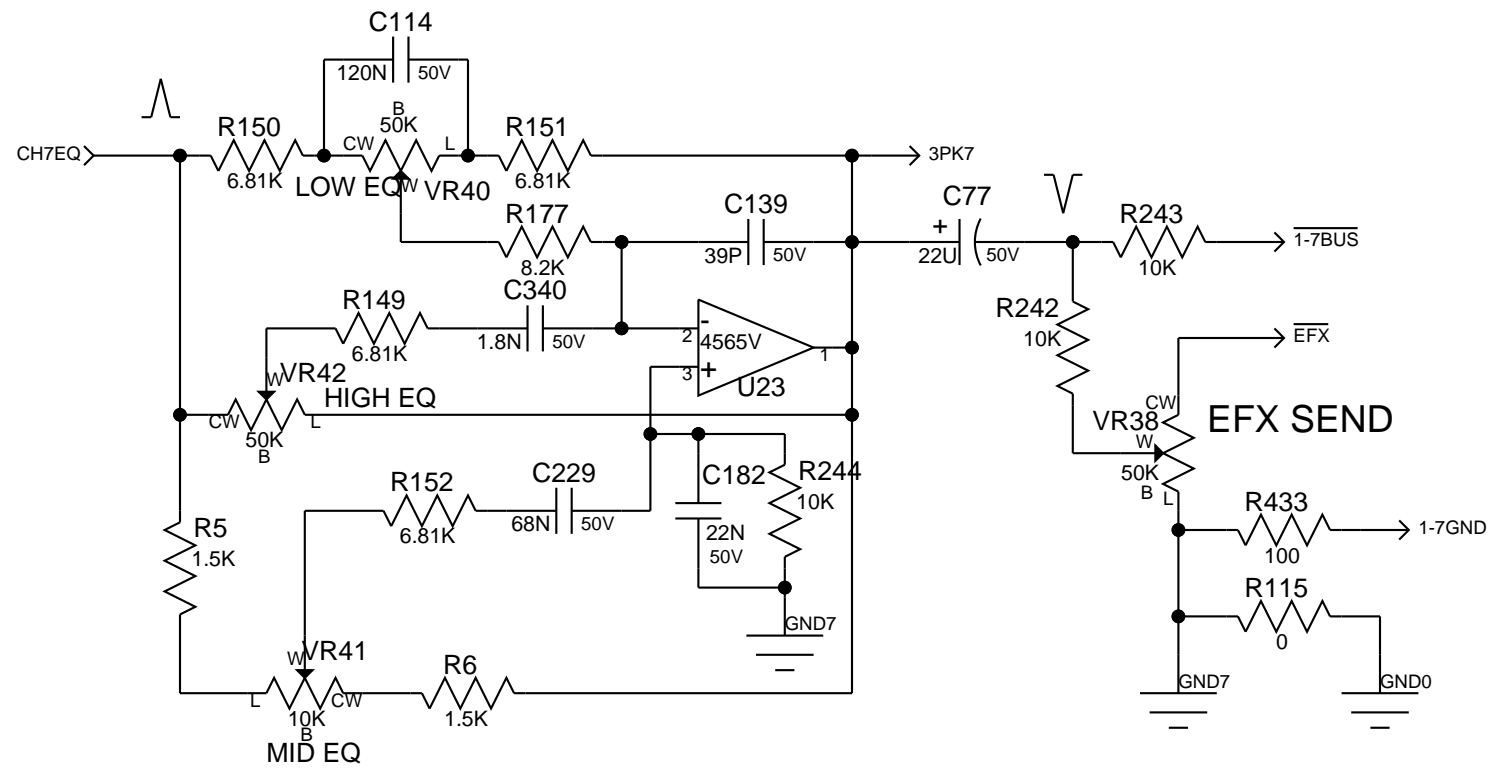
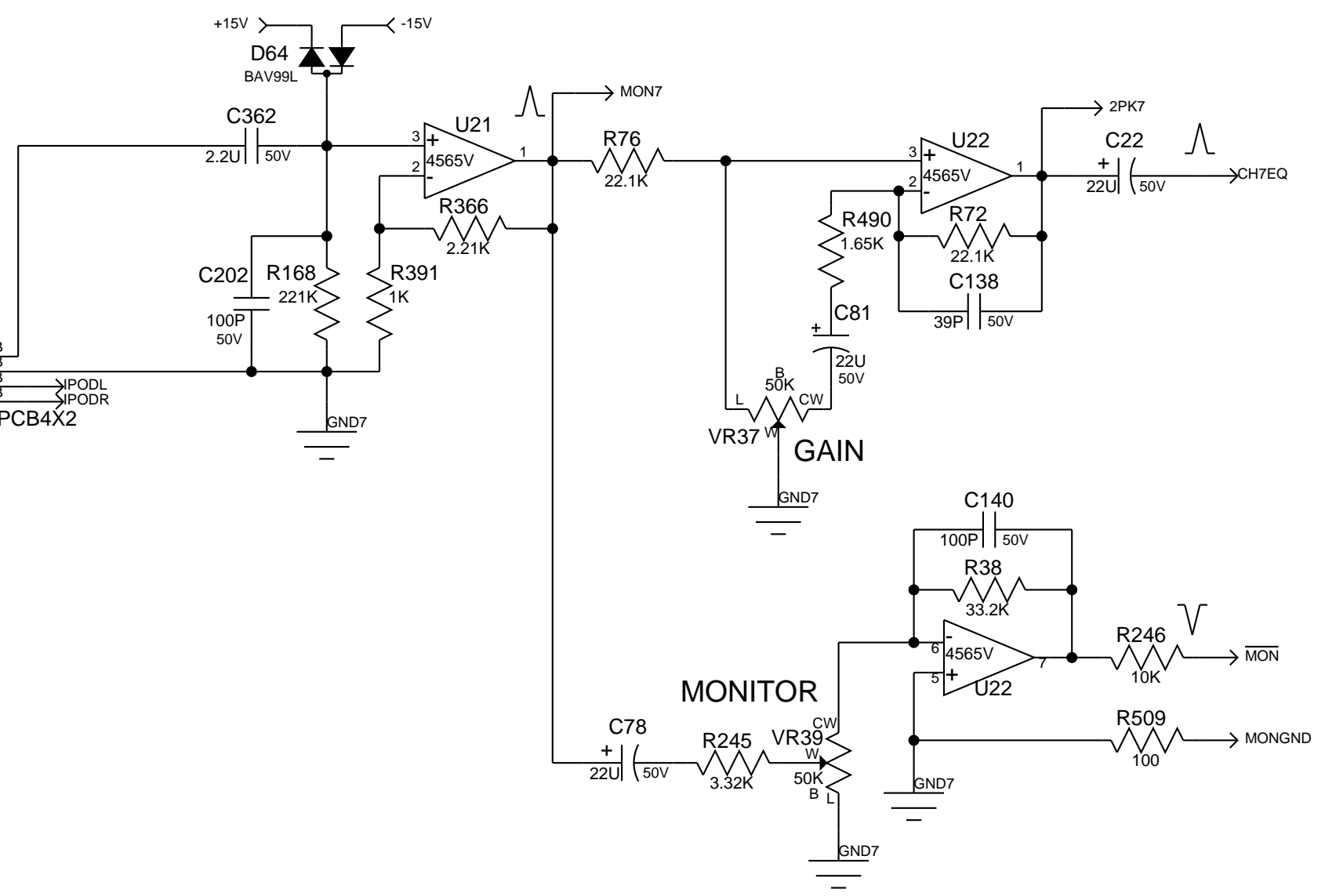
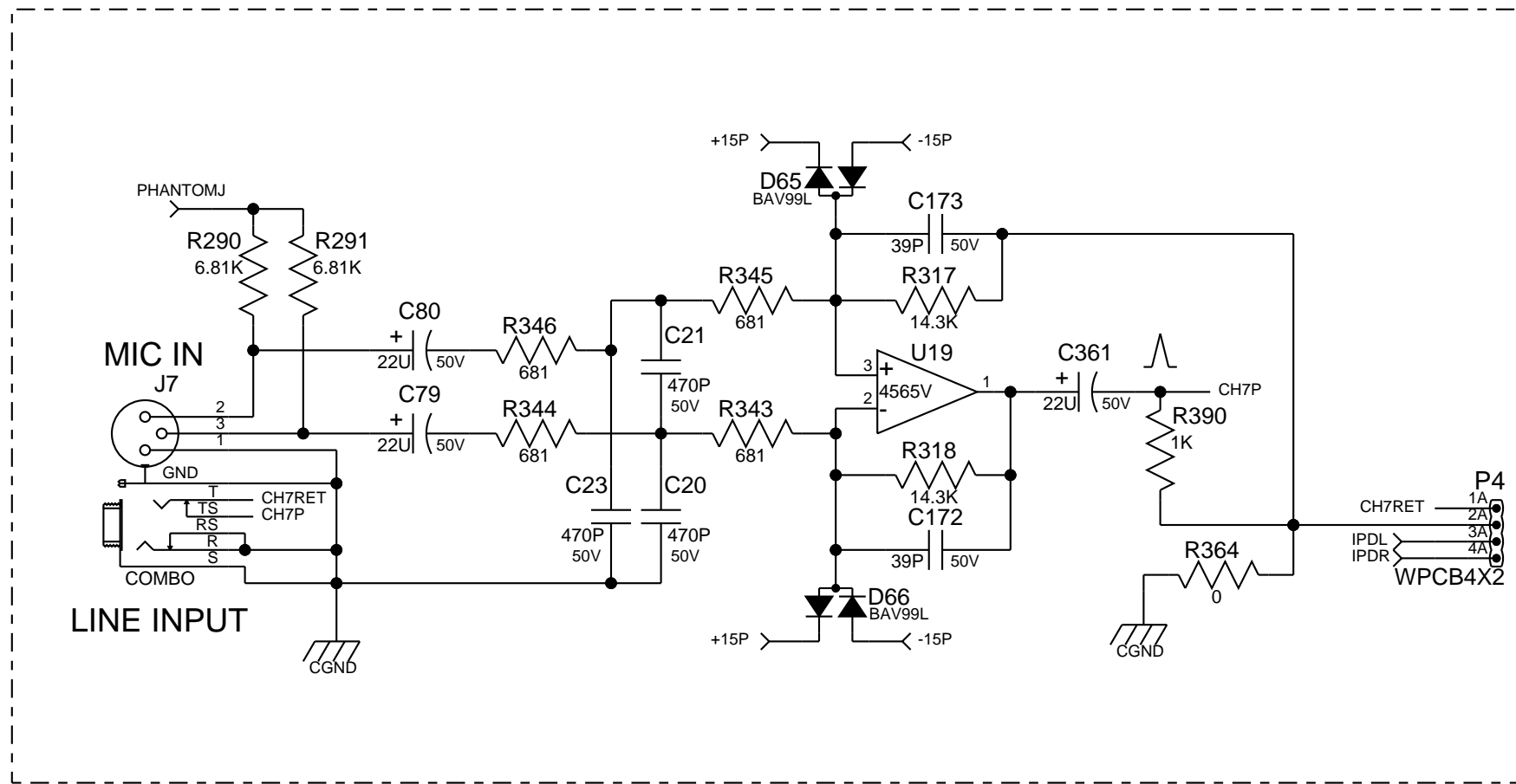
C Sheet 6 of 13 Date: 7-20-2011_8:35



PEAVEY
 Peavey Electronics Corp.
 P. O. Box 2898
 Meridian, MS 39301

Title: **PVI8500**
 Sheet Title: **CHANNEL 6**

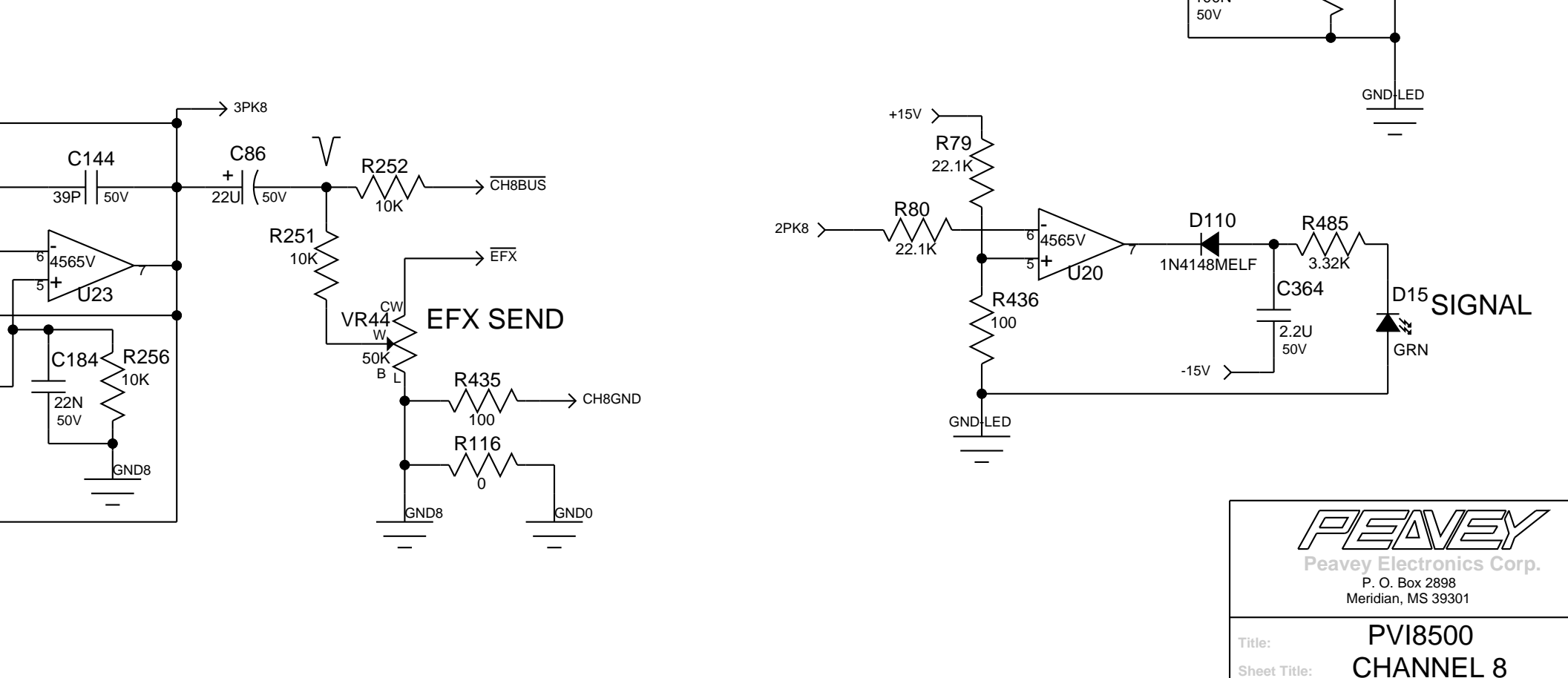
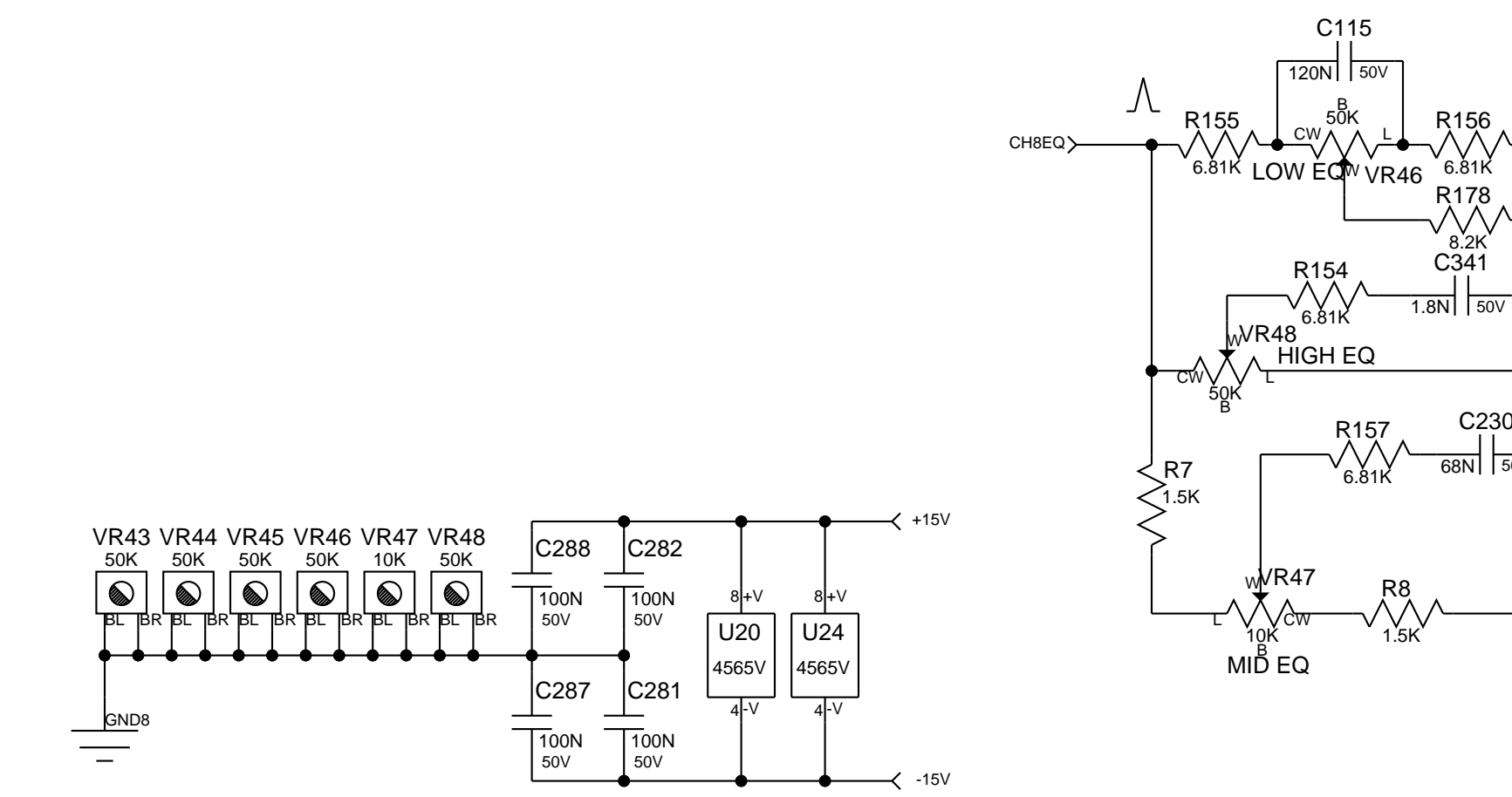
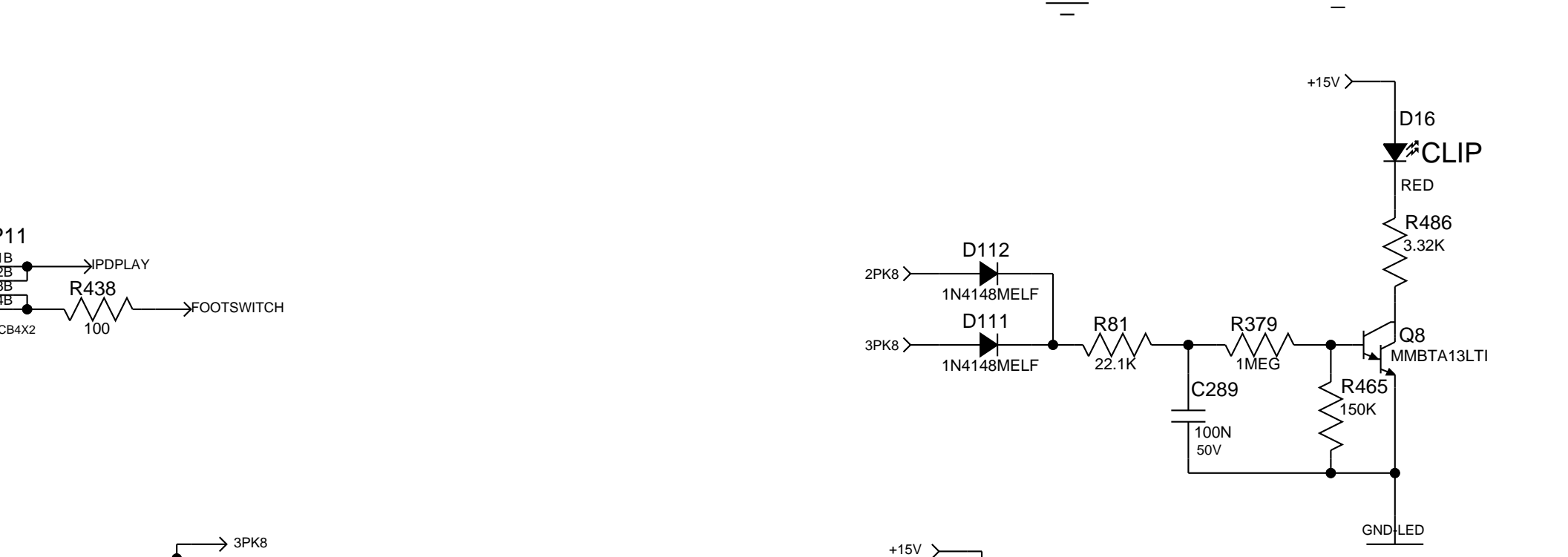
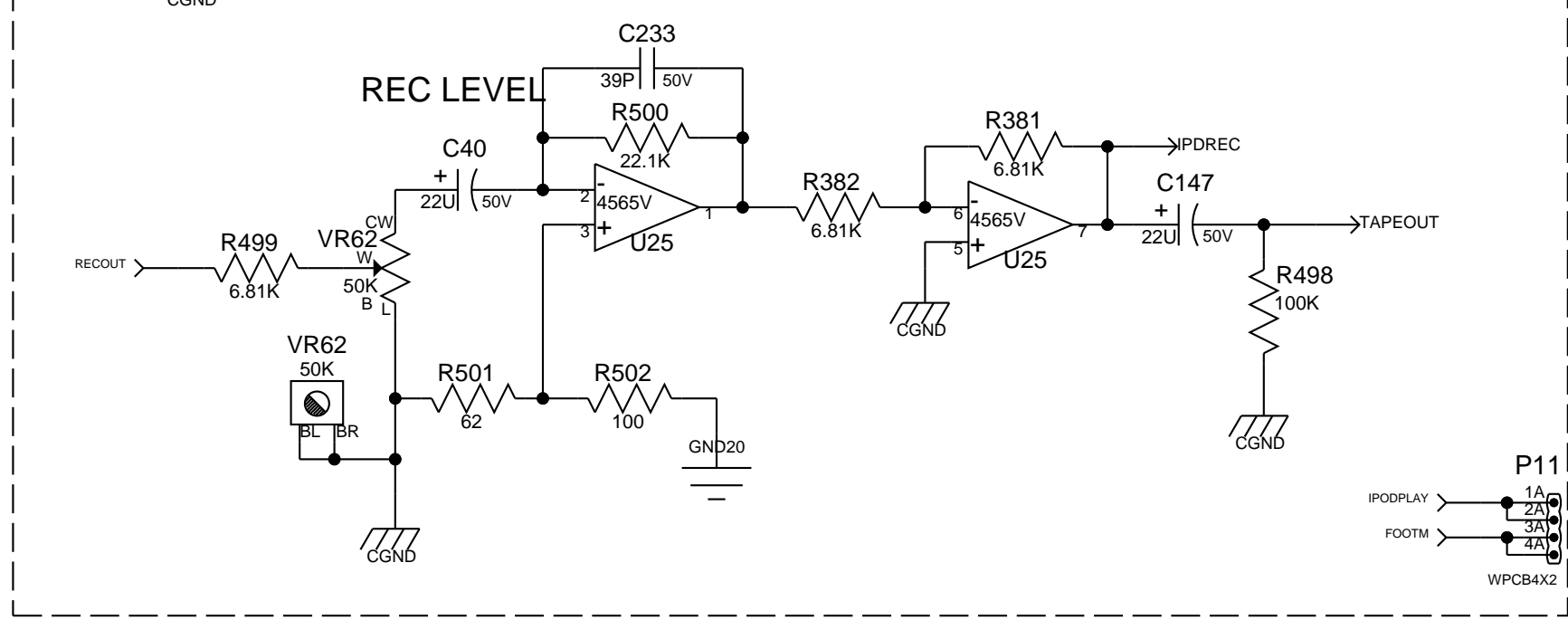
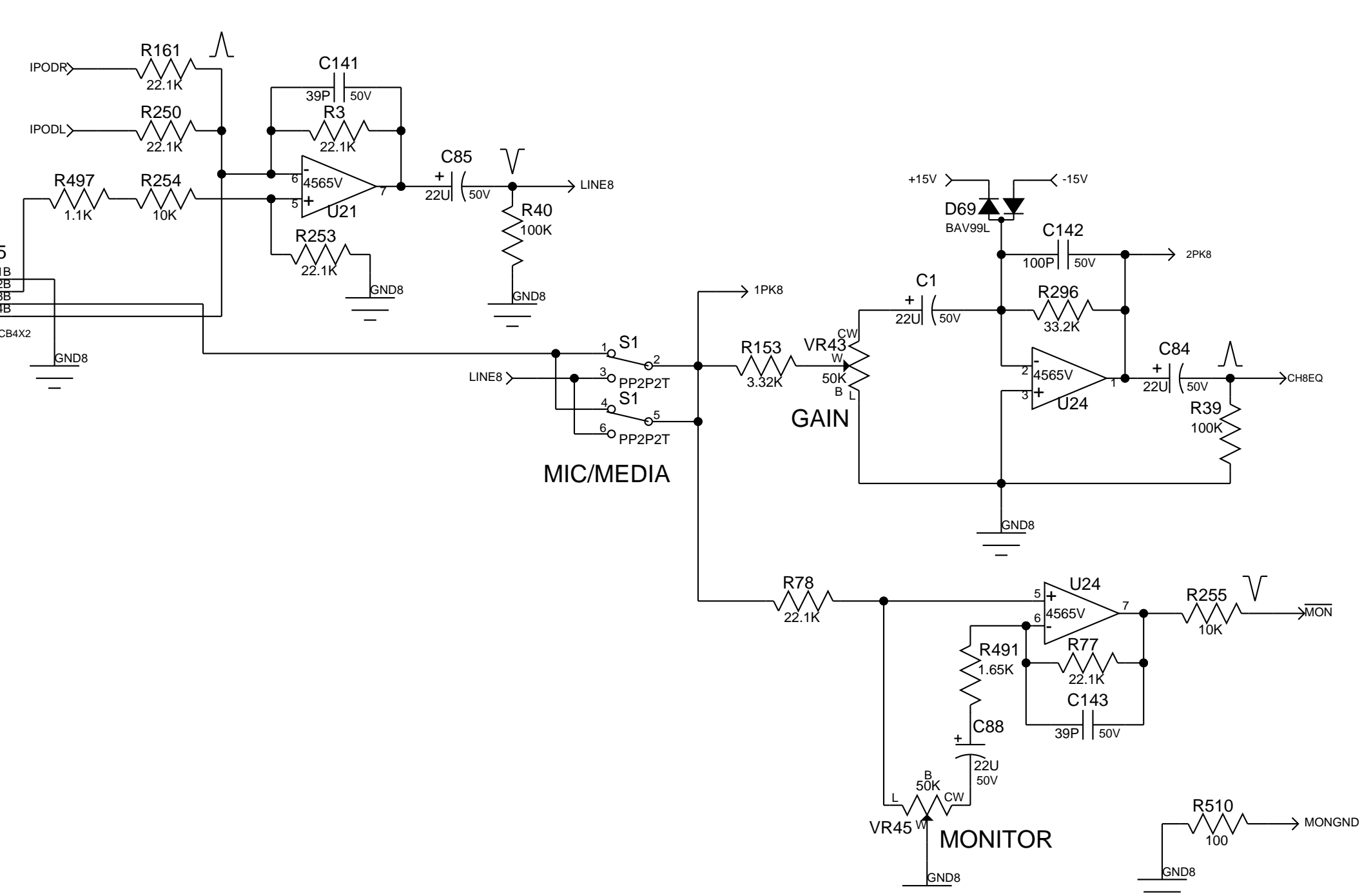
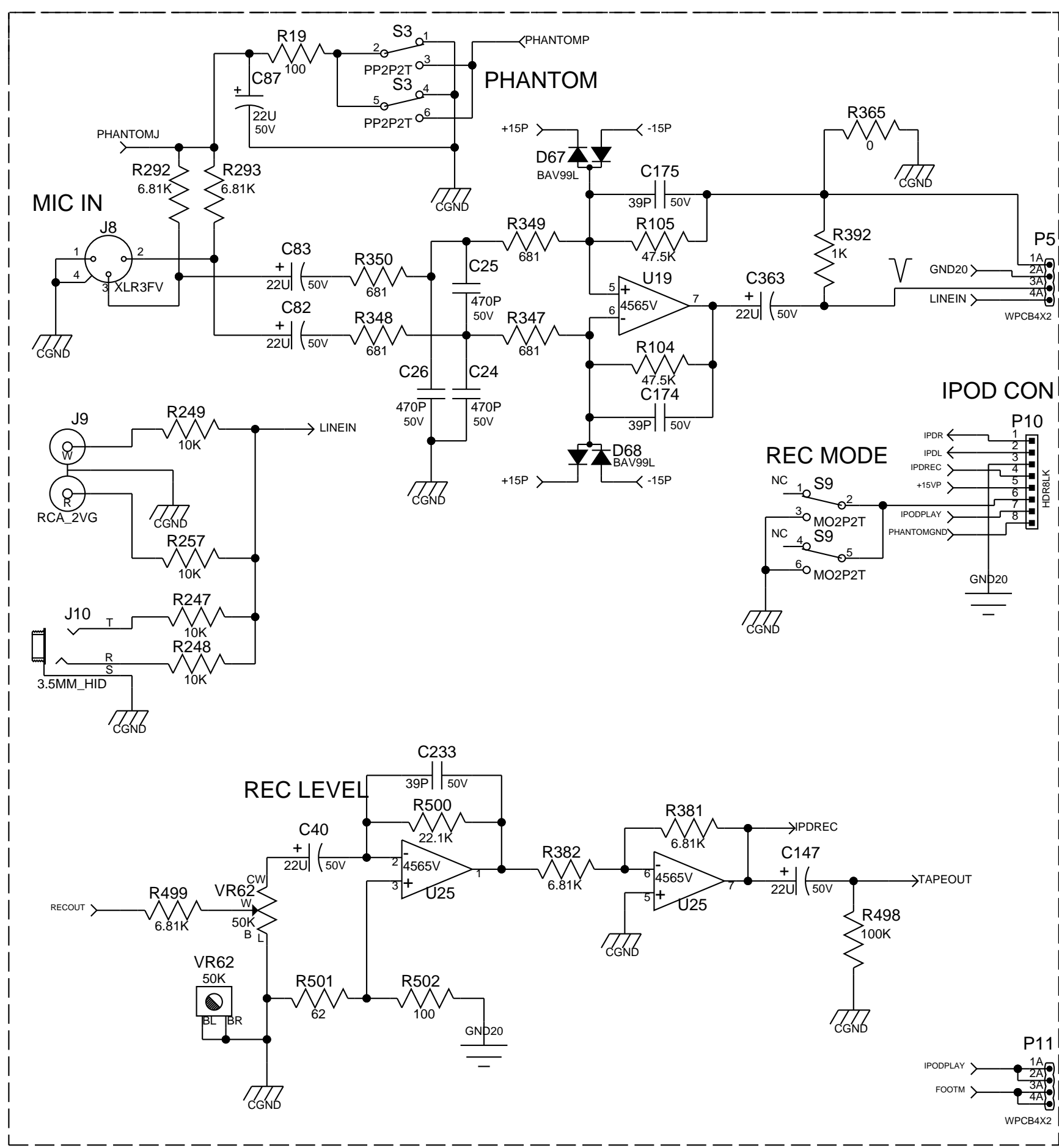
C Sheet 7 of 13 Date: 7-20-2011_8:35



PEAVEY
Peavey Electronics Corp.
P. O. Box 2898
Meridian, MS 39301

Title: **PVI8500**
Sheet Title: **CHANNEL 7**

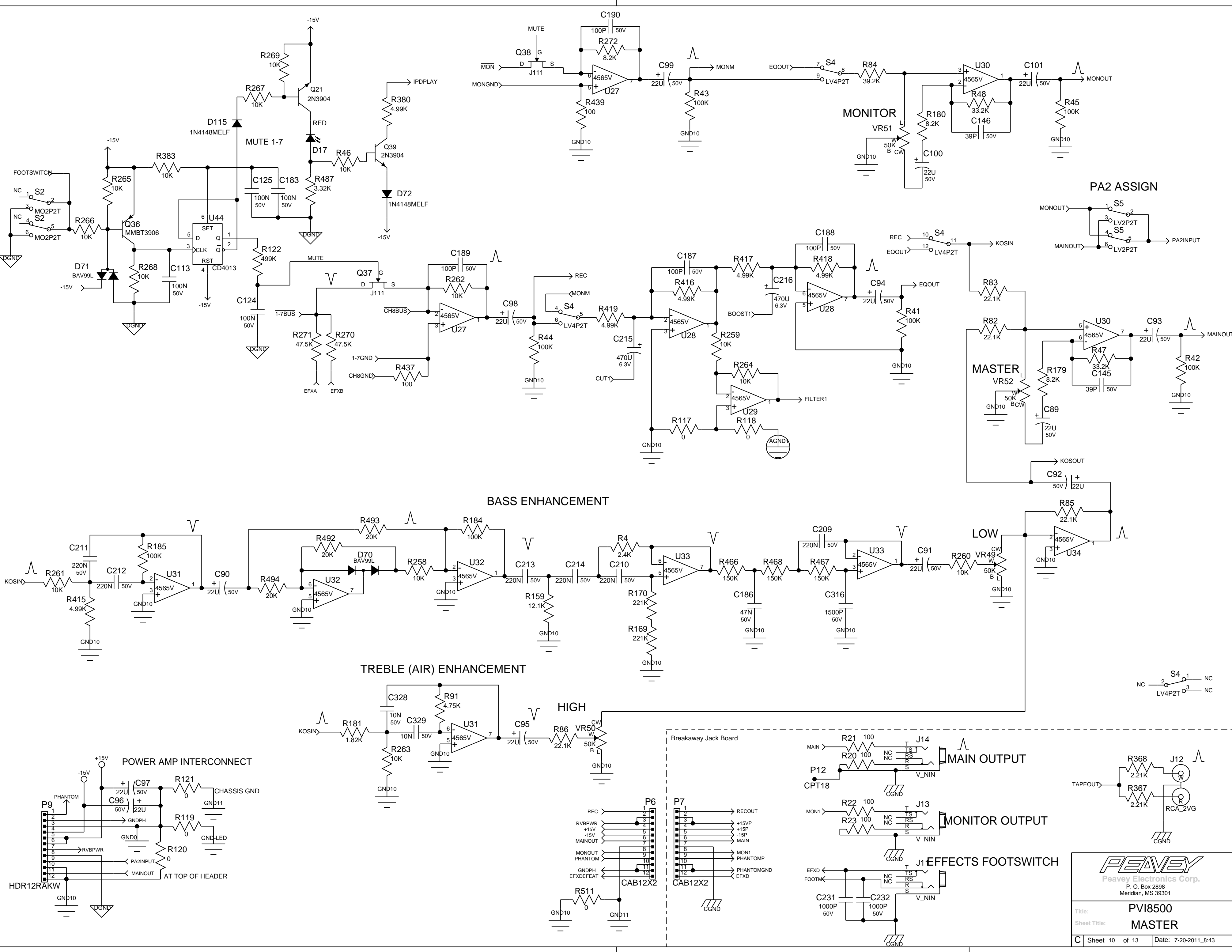
C Sheet 8 of 13 Date: 7-20-2011_8:35



PEAVEY
 Peavey Electronics Corp.
 P. O. Box 2898
 Meridian, MS 39301

Title: **PVI8500**
 Sheet Title: **CHANNEL 8**

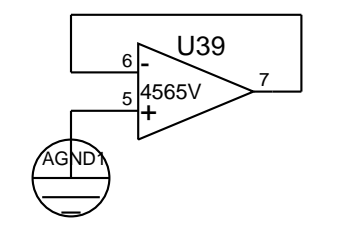
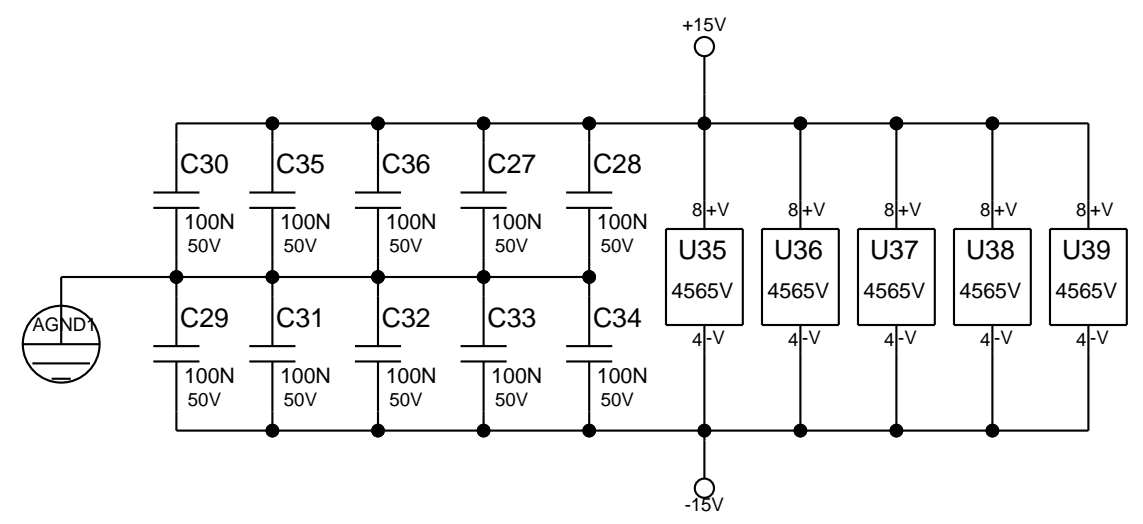
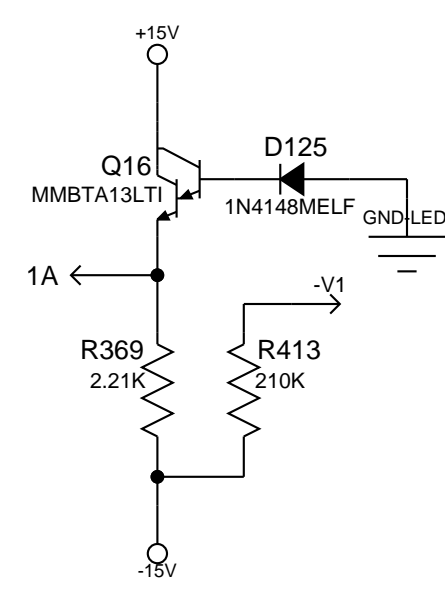
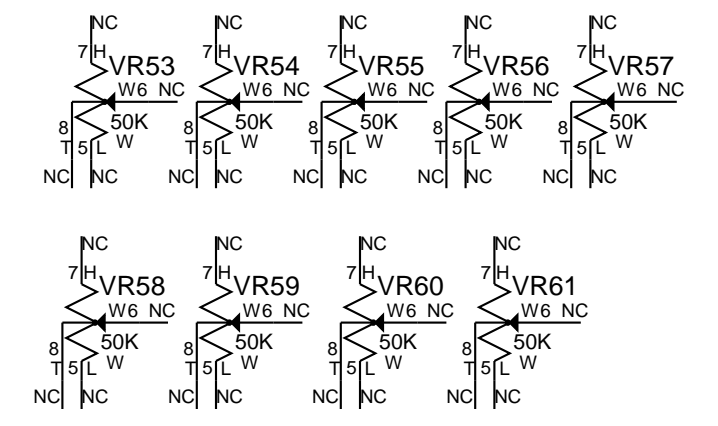
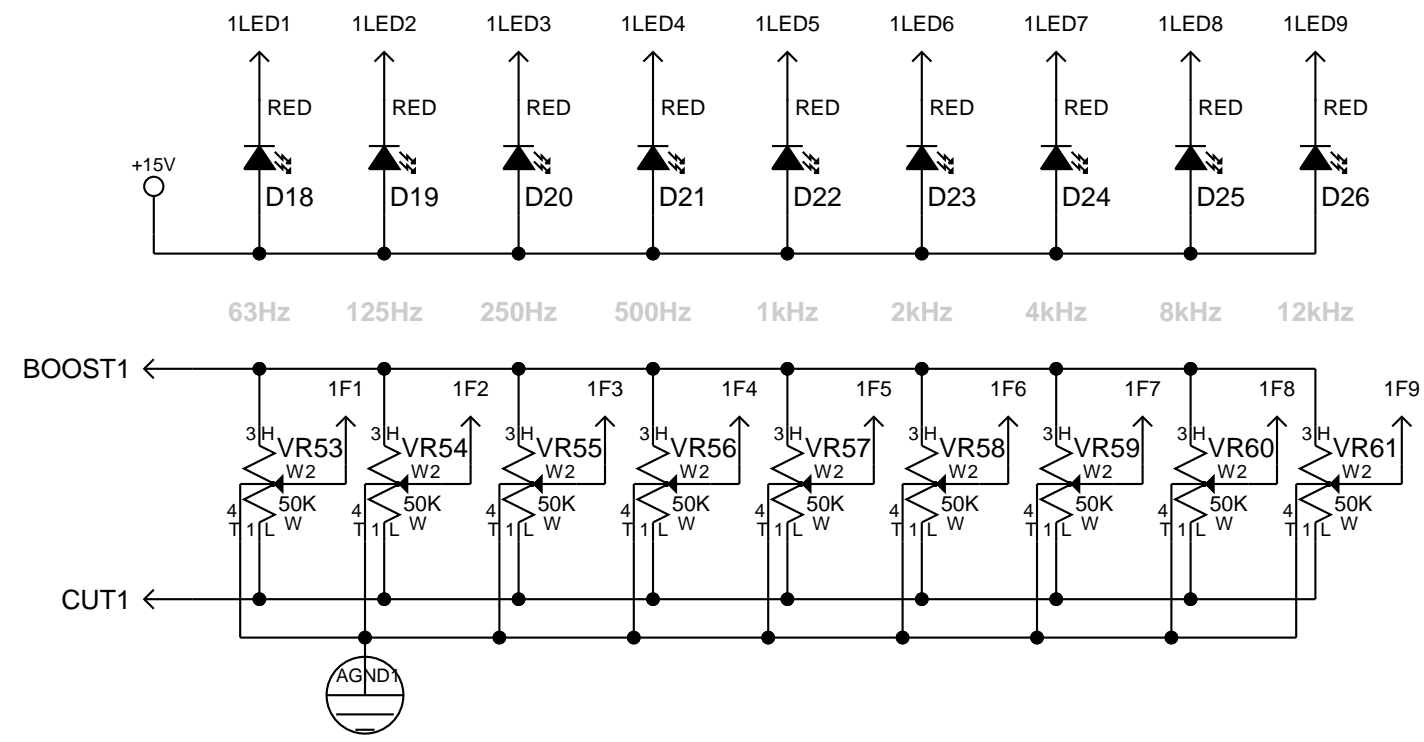
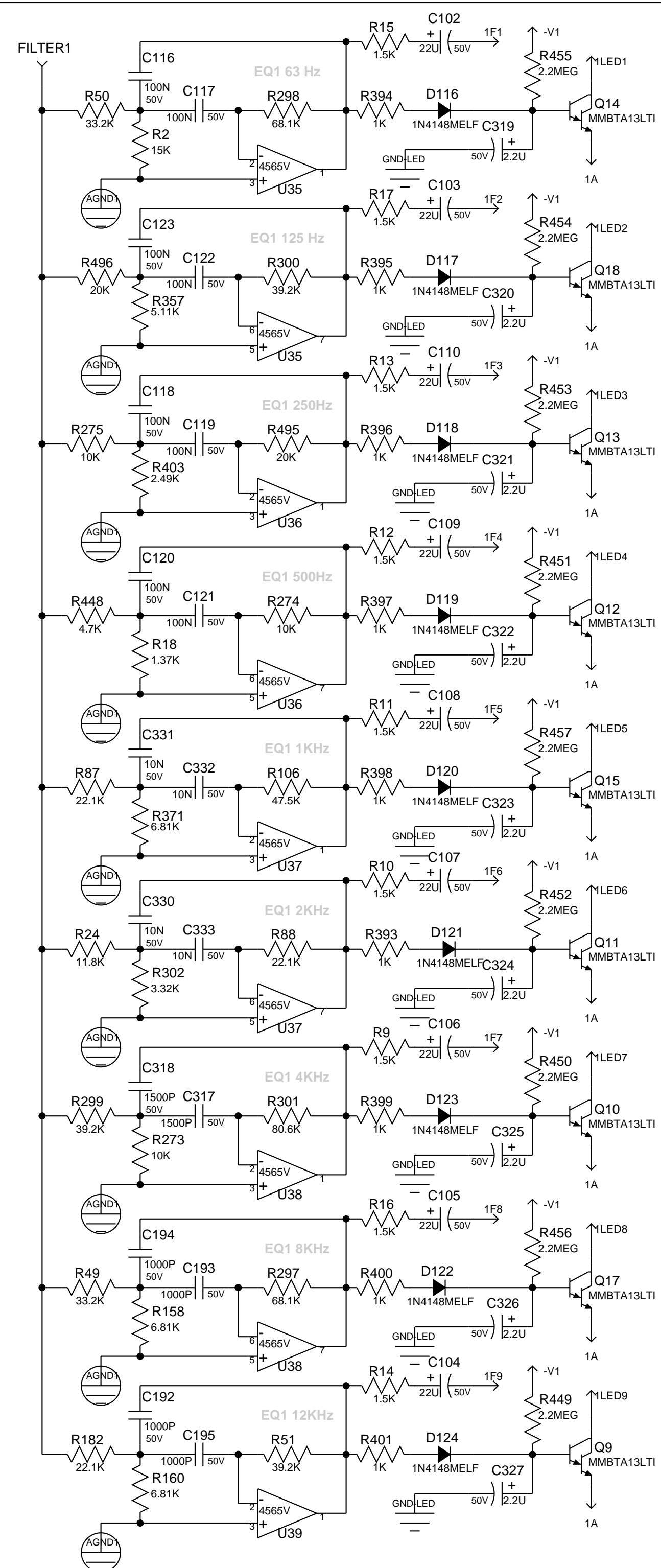
C Sheet 9 of 13 Date: 7-20-2011_8:35



PEAVEY
Peavey Electronics Corp.
P. O. Box 2898
Meridian, MS 39301

Title: **PVI8500**
Sheet Title: **MASTER**

C Sheet 10 of 13 Date: 7-20-2011_8:43



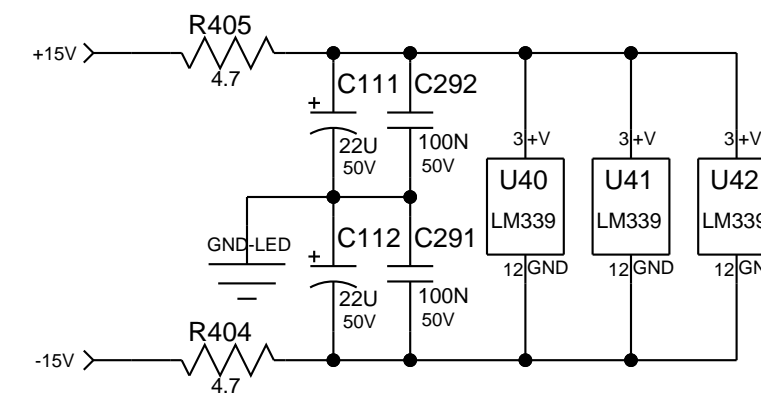
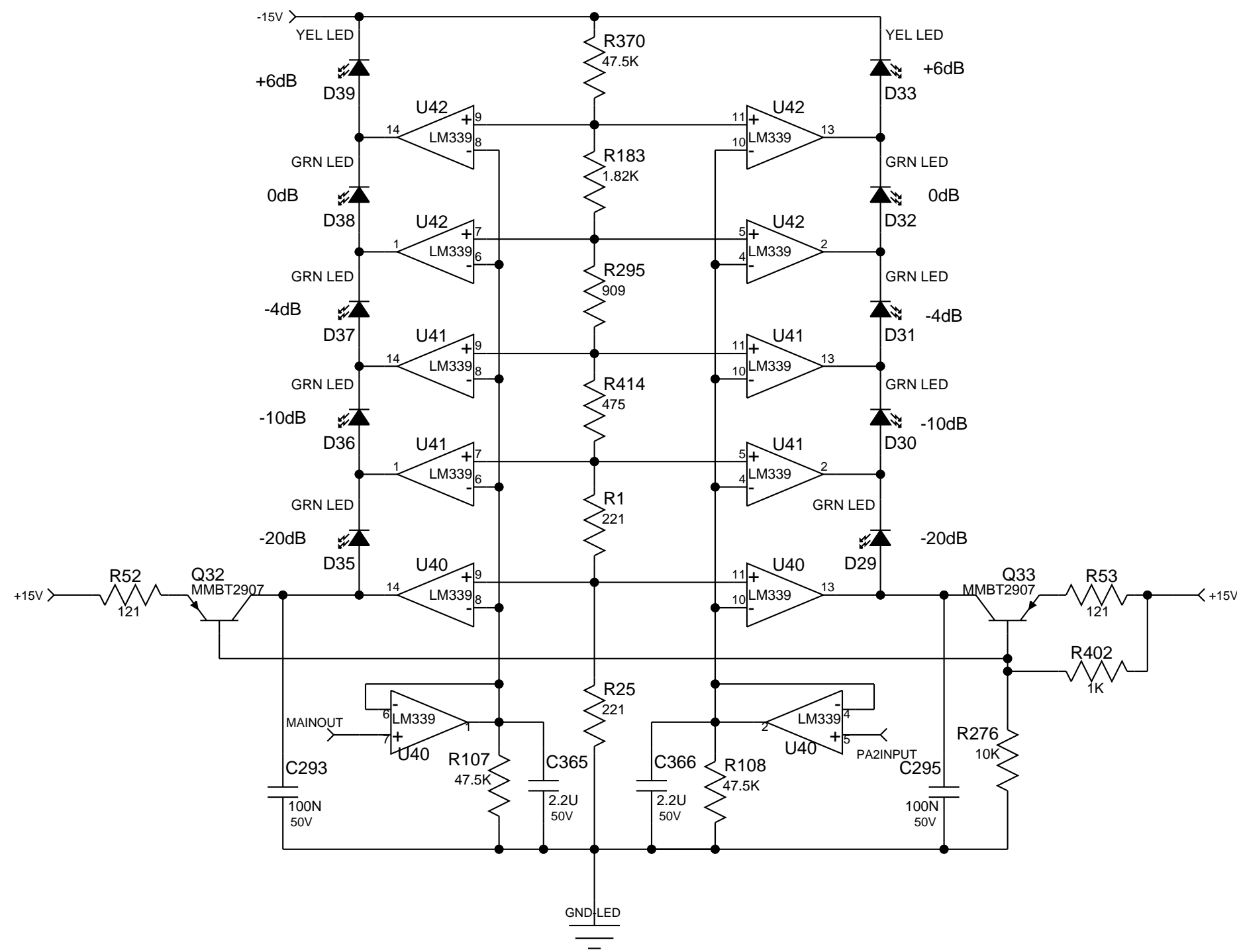
PEAVEY
Peavey Electronics Corp.
P. O. Box 2898
Meridian, MS 39301

Title: **PVI8500**
Sheet Title: **EQ/FLS SECTION**

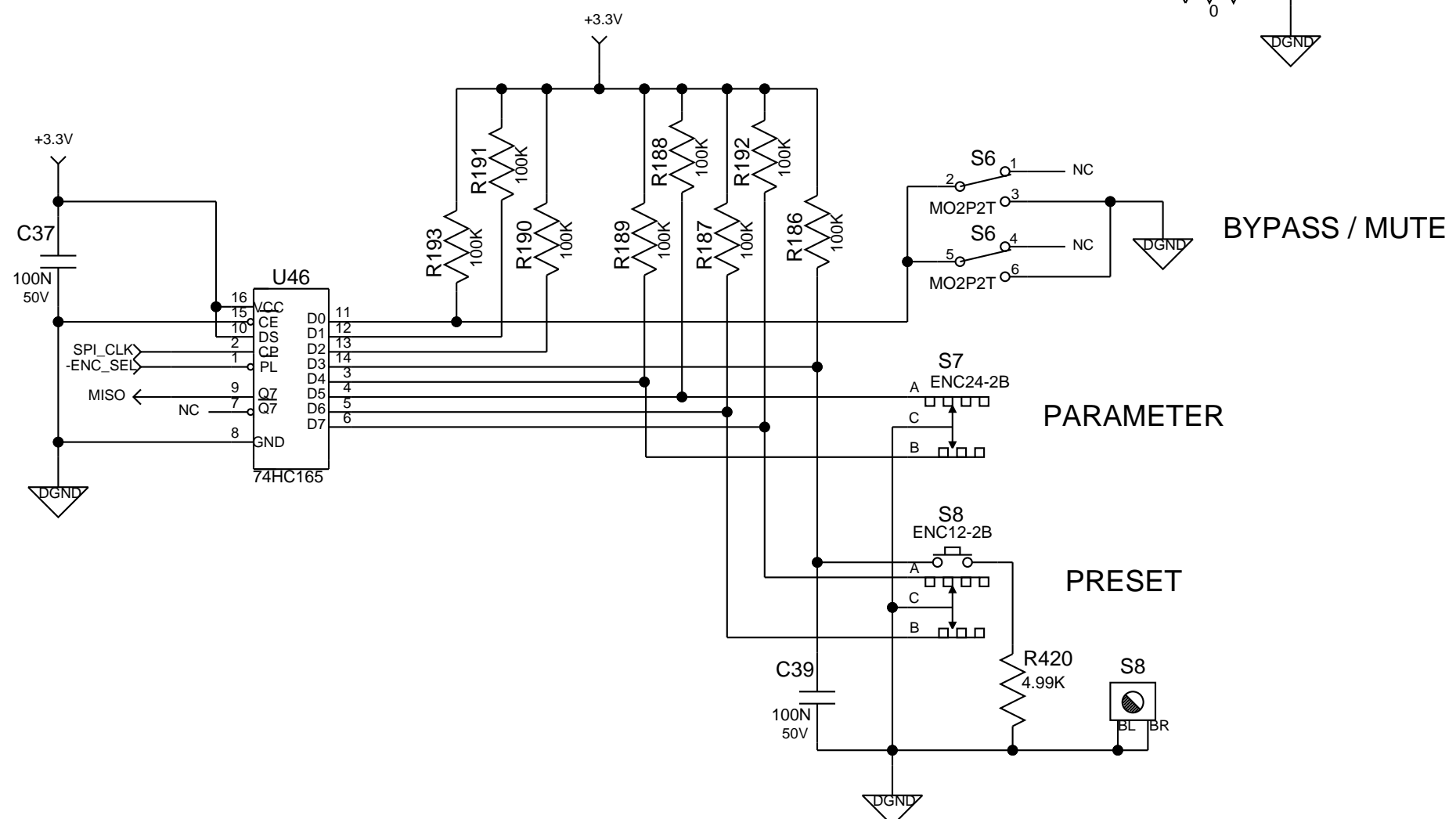
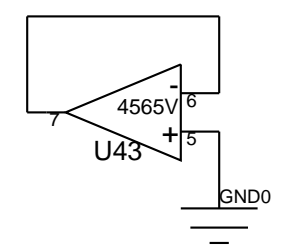
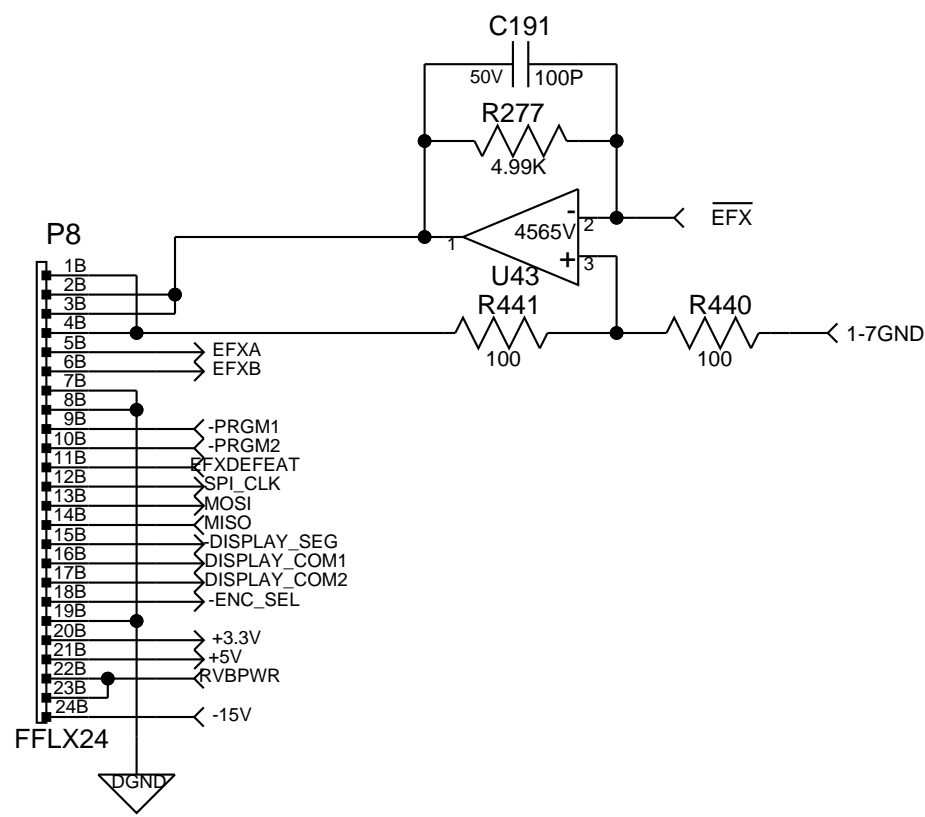
C Sheet 11 of 13 Date: 7-20-2011_8:35



MAIN METER



Title: PVI8500
 Sheet Title: LED ARRAY

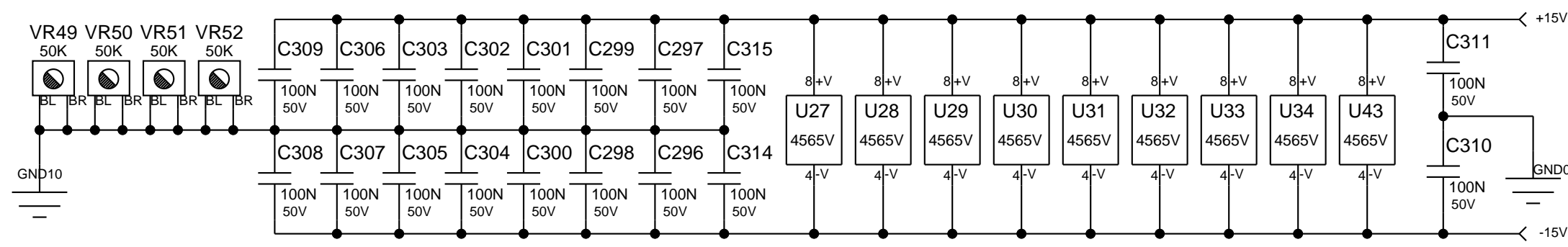
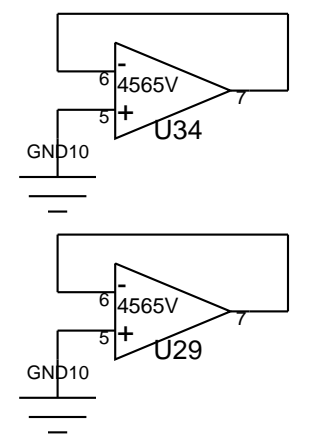
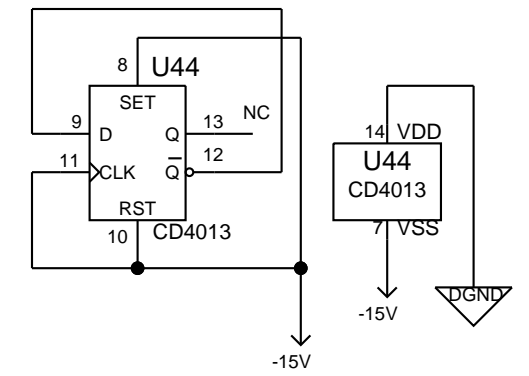
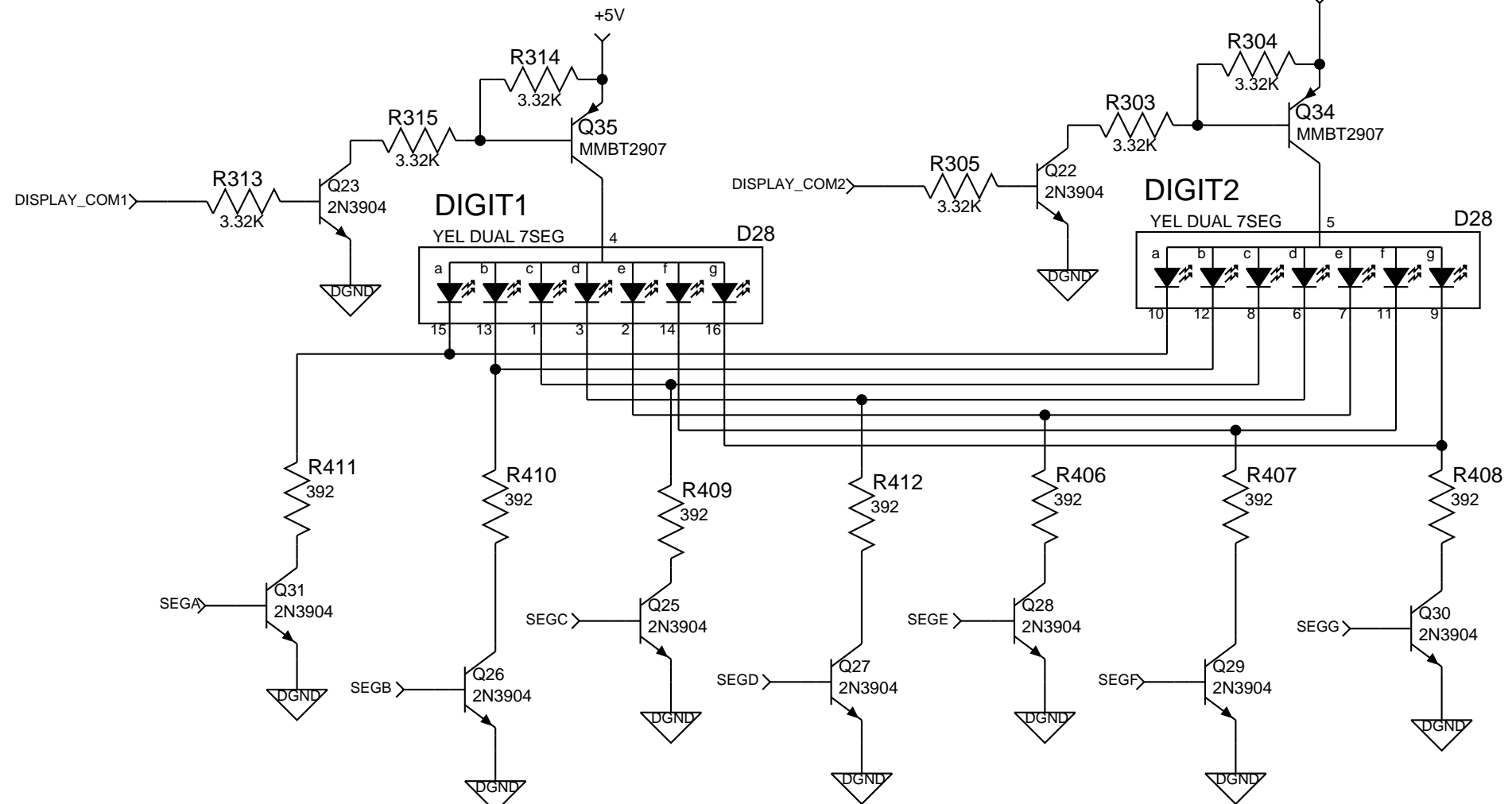
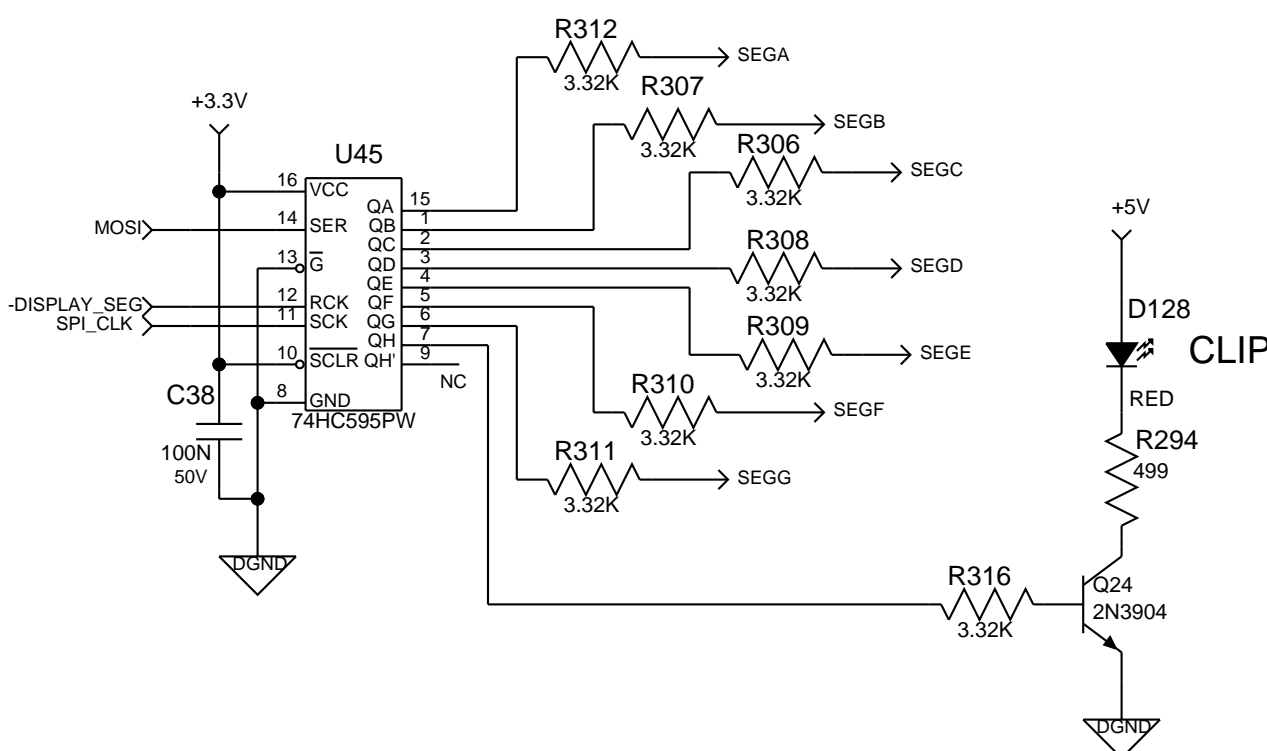


PROGRAMMING RESISTORS
TO SET UP DSP FEATURES
(FOUR OPTIONS- 00,01,10,11)

BYPASS / MUTE

PARAMETER

PRESET



PEAVEY
Peavey Electronics Corp.
P. O. Box 2898
Meridian, MS 39301

Title: **PVI8500**
Sheet Title: **DSP I/O**

C Sheet 13 of 13 Date: 7-20-2011_8:35

REVISION RECORD	
LTR	APPROVED:
ECO NO.	DATE:

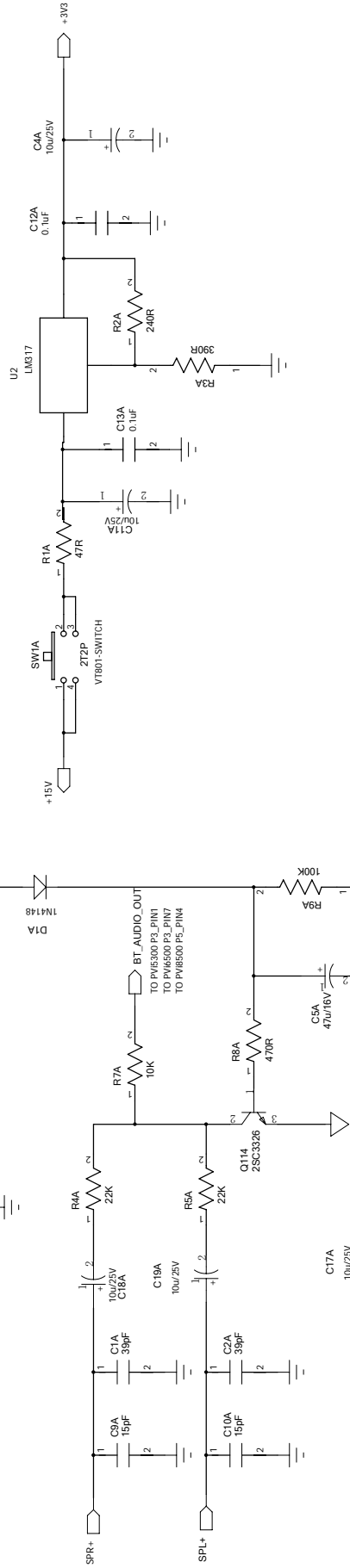
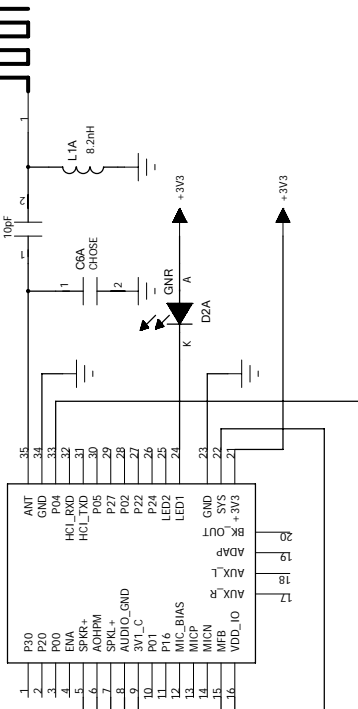
D

C

B

A

ANT1



Shen zhen Uniwisdrom Technology co,LTD

PVI5300/6500/8500BT

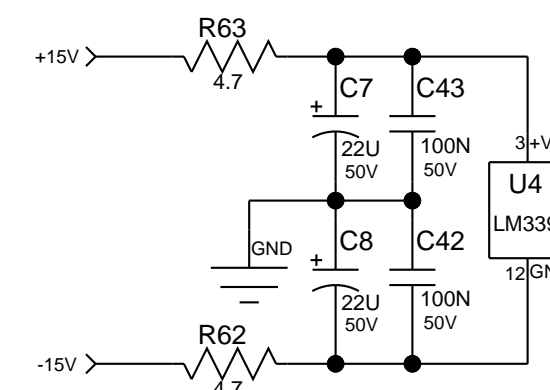
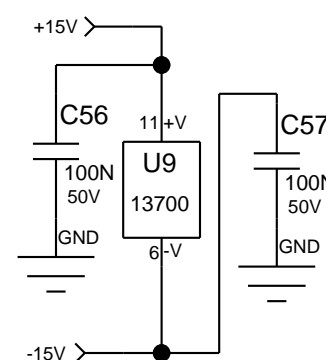
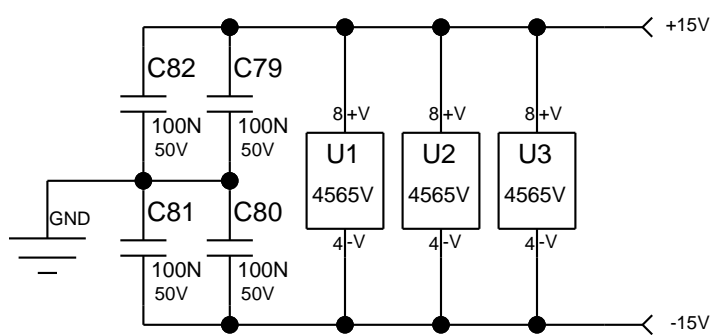
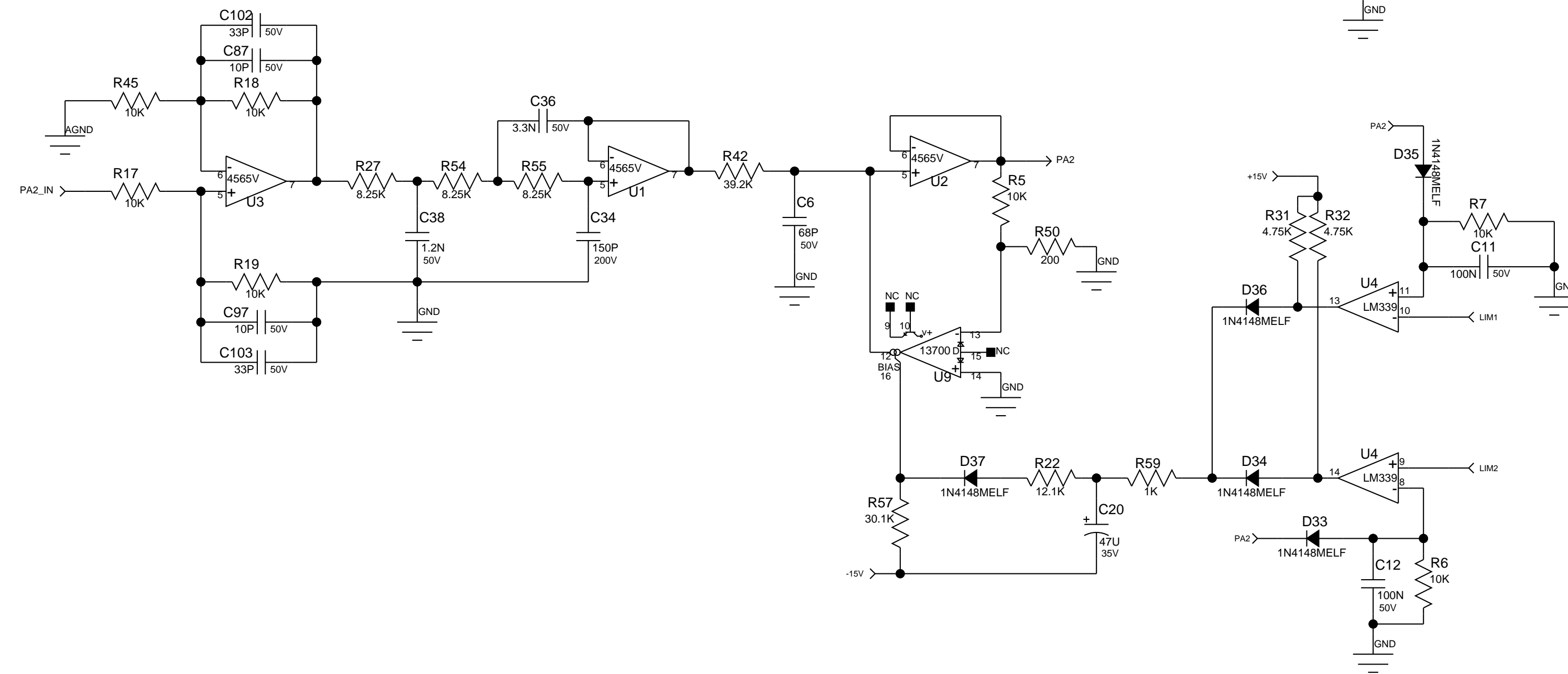
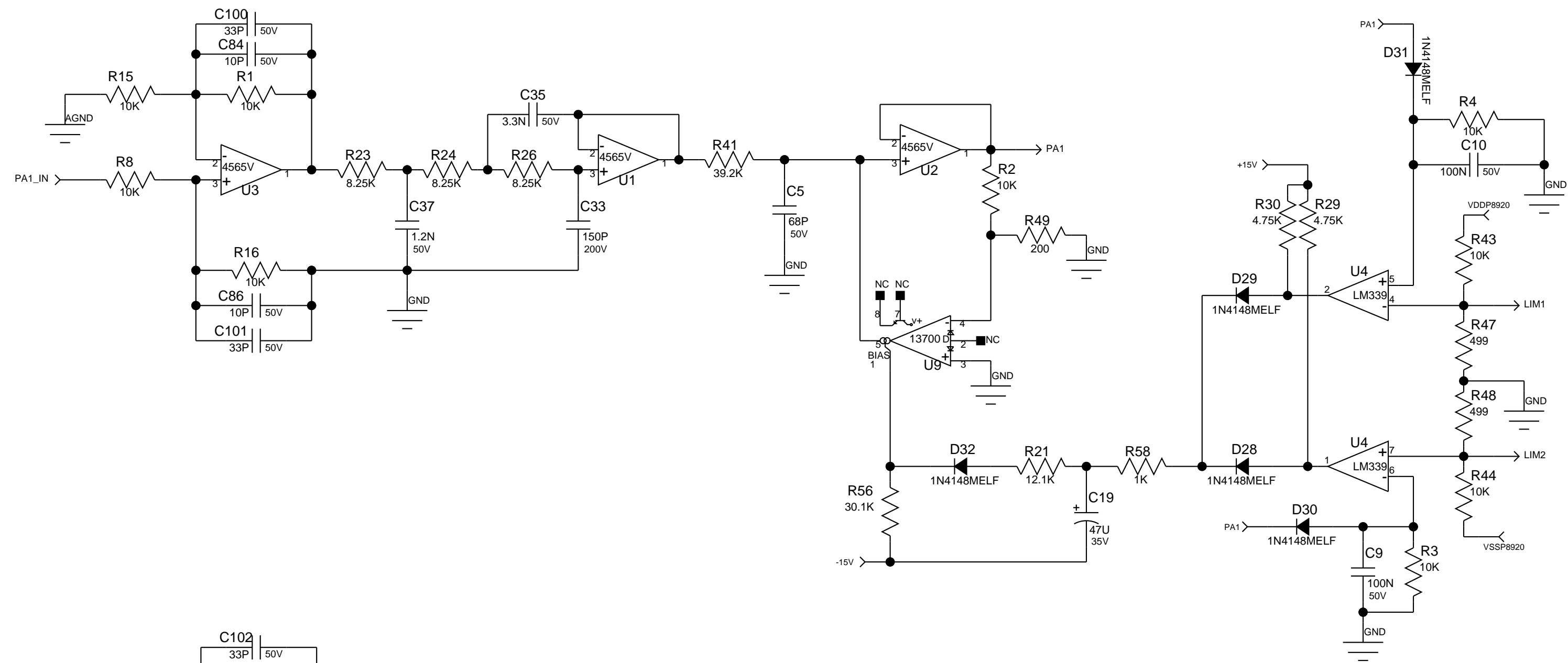
DRAWN:	DATED:	CODE:	SIZE:	DRAWING NO:	REV:
CHECKED:	DATED:	QUALITY CONTROL:	B		
RELEASED:	DATED:				
SCALE:				SHEET: 1 of 1	

D

C

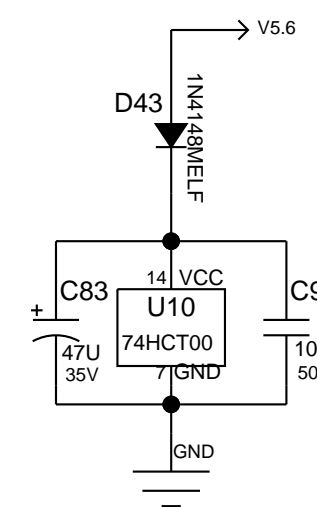
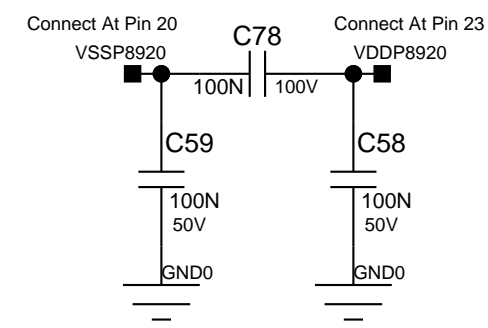
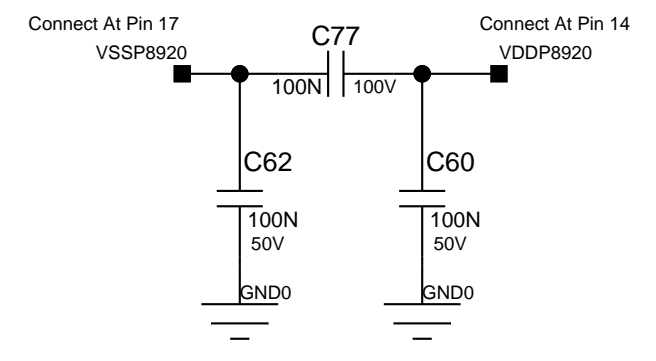
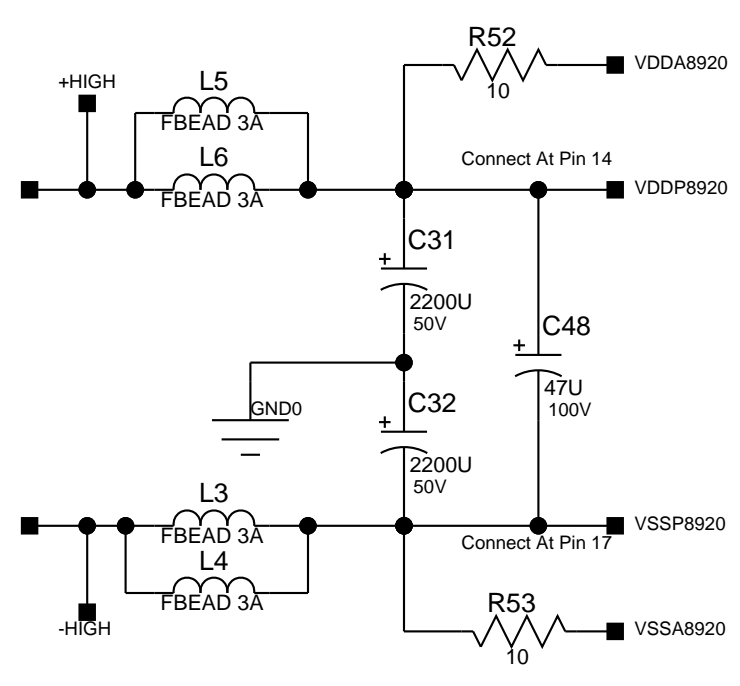
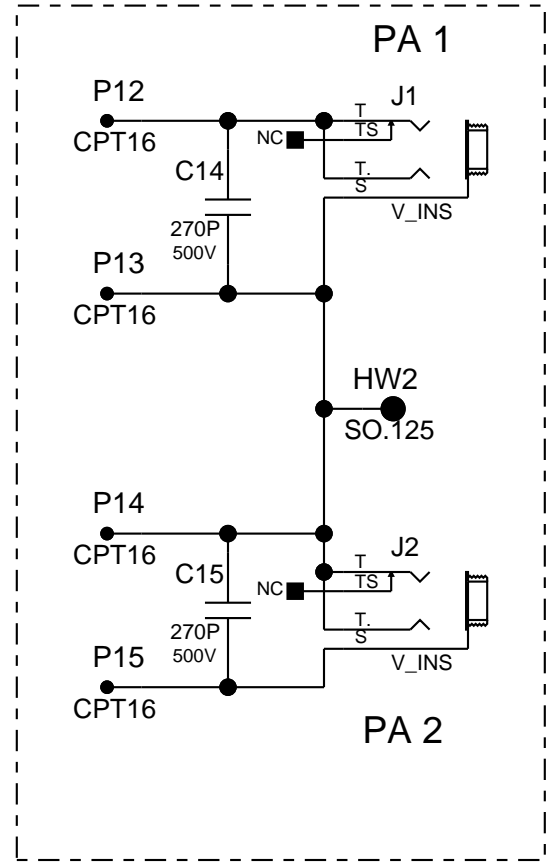
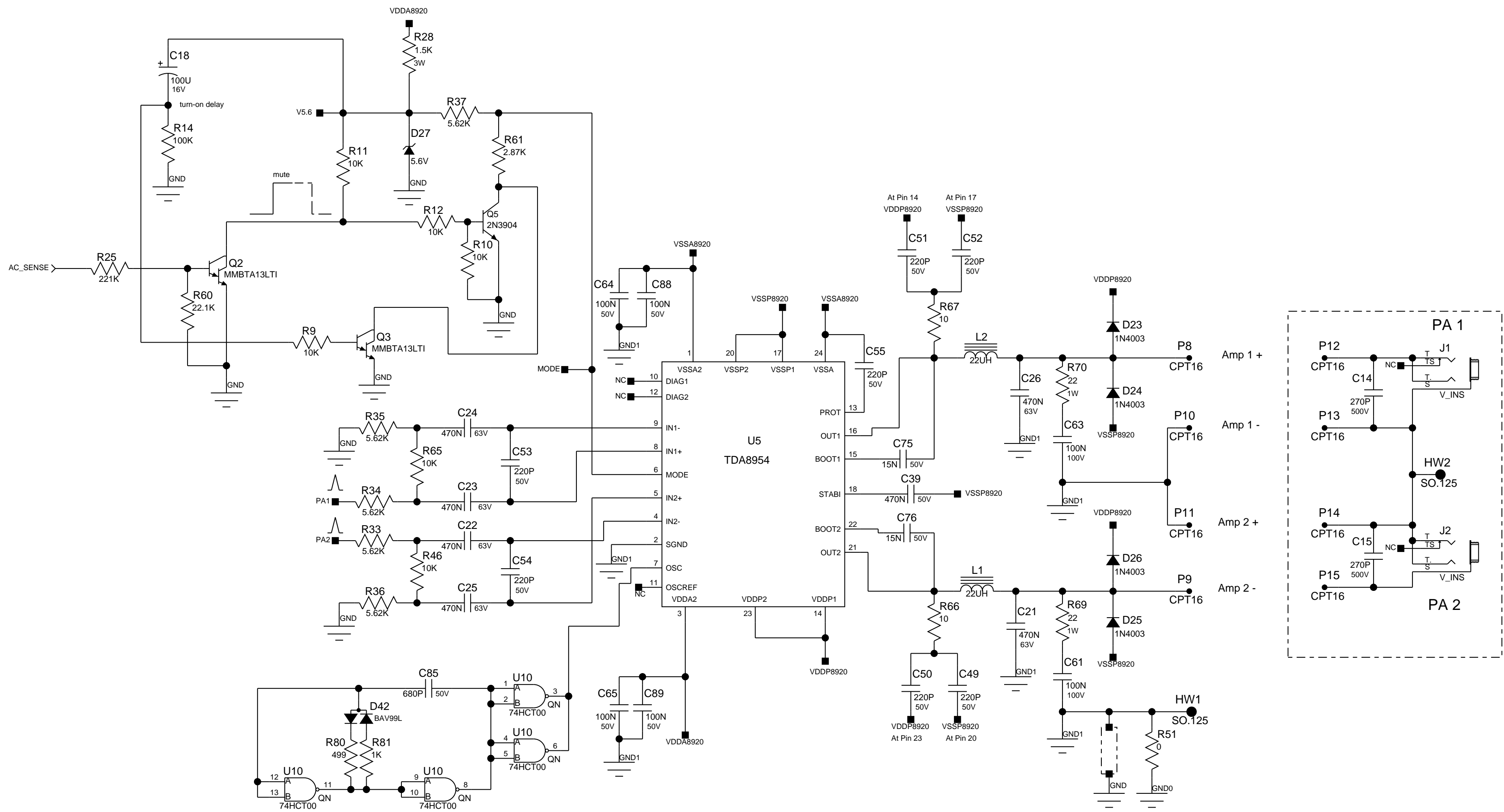
B

A



PEAVEY
 Peavey Electronics Corp.
 P. O. Box 2898
 Meridian, MS 39301

PVI_AMPLIFIER_PVI_8500AMP
 INPUT/LIMITER



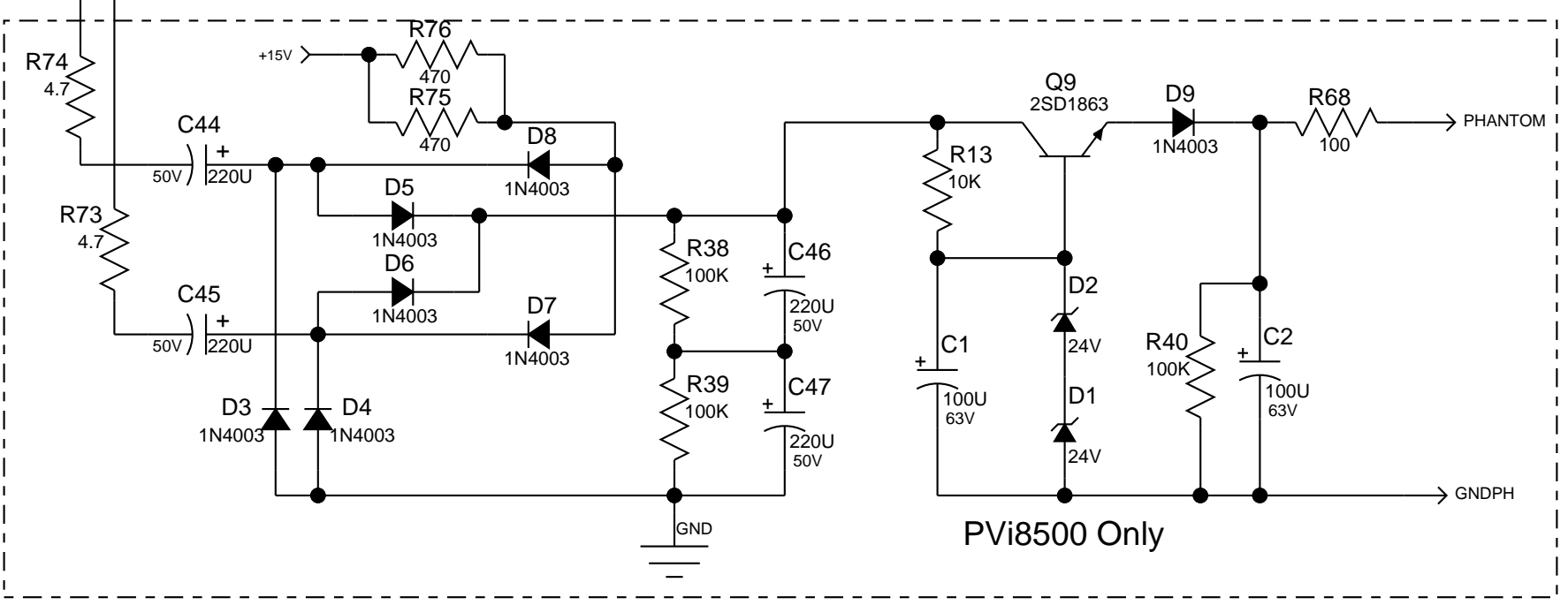
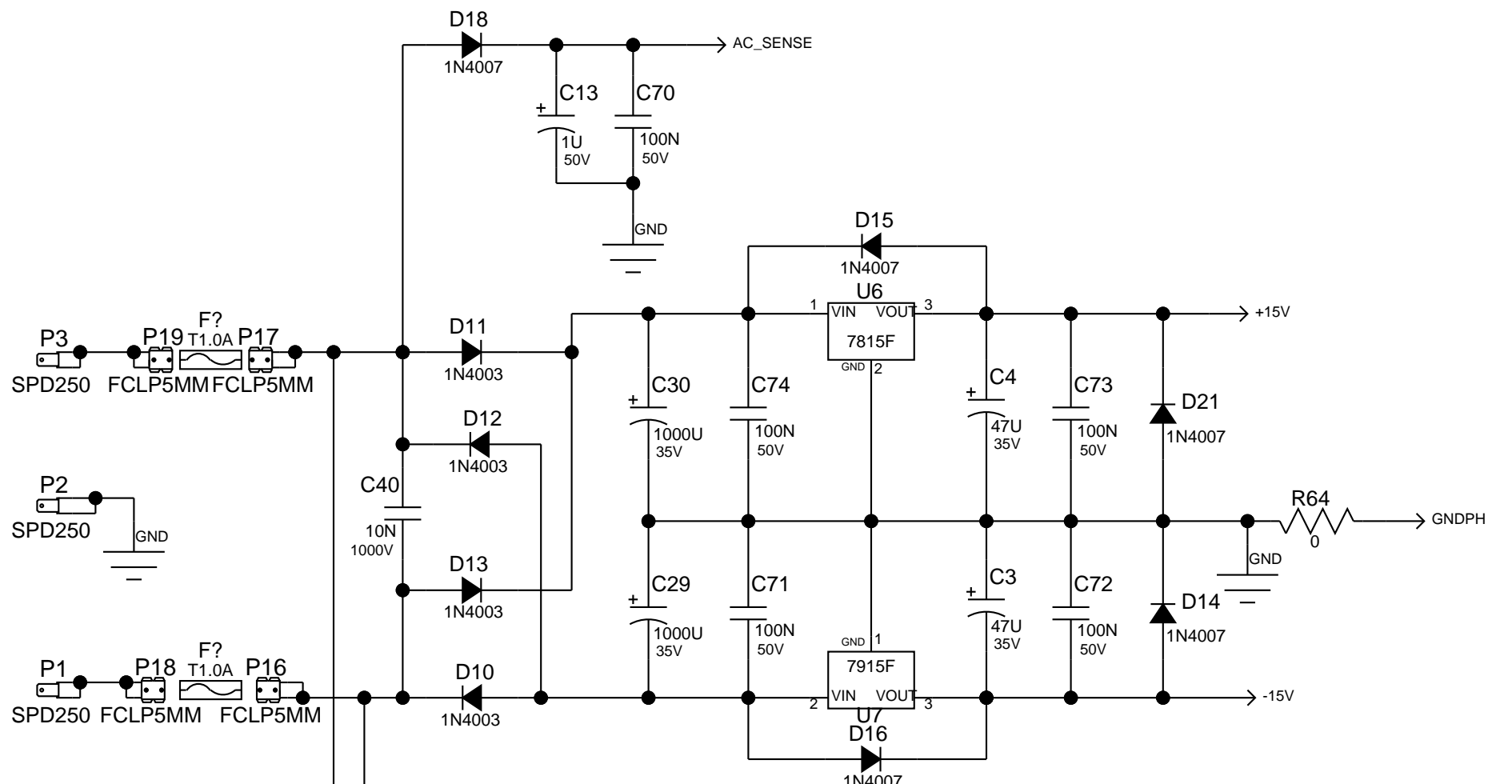
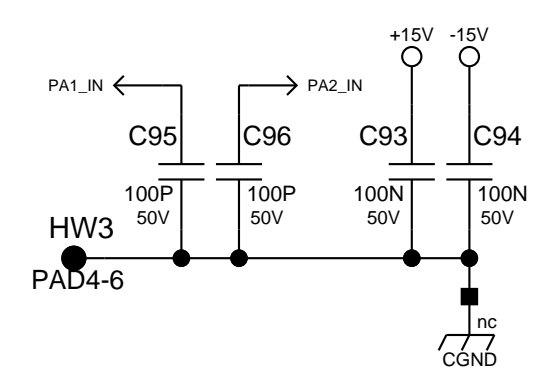
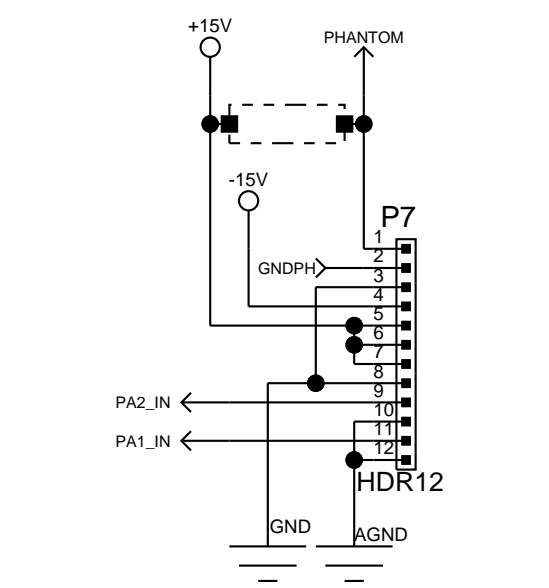
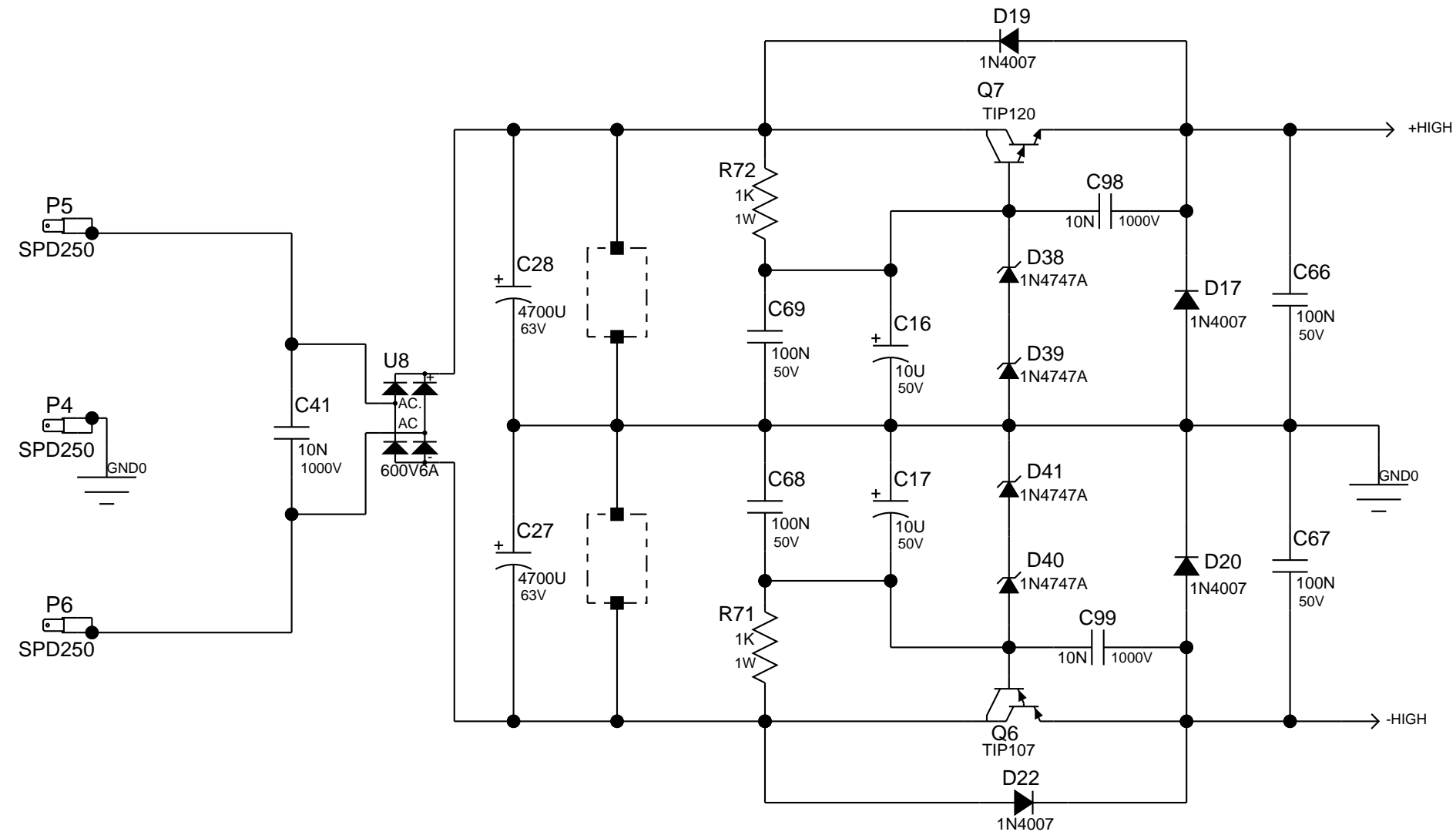
PEAVEY
Peavey Electronics Corp.
P. O. Box 2898
Meridian, MS 39301

PVI_AMPLIFIER_PVI_8500AMP
AMPLIFIER

Sheet Title: **AMPLIFIER**

C Sheet 3 of 4 Date: 11-27-2012_13:30

POWER AMP INTERCONNECT



PEAVEY
Peavey Electronics Corp.
P. O. Box 2898
Meridian, MS 39301

PVI_AMPLIFIER_PVI_8500AMP
Sheet Title: **POWER SUPPLY**

C Sheet 4 of 4	Date: 11-27-2012_13:30
----------------	------------------------

