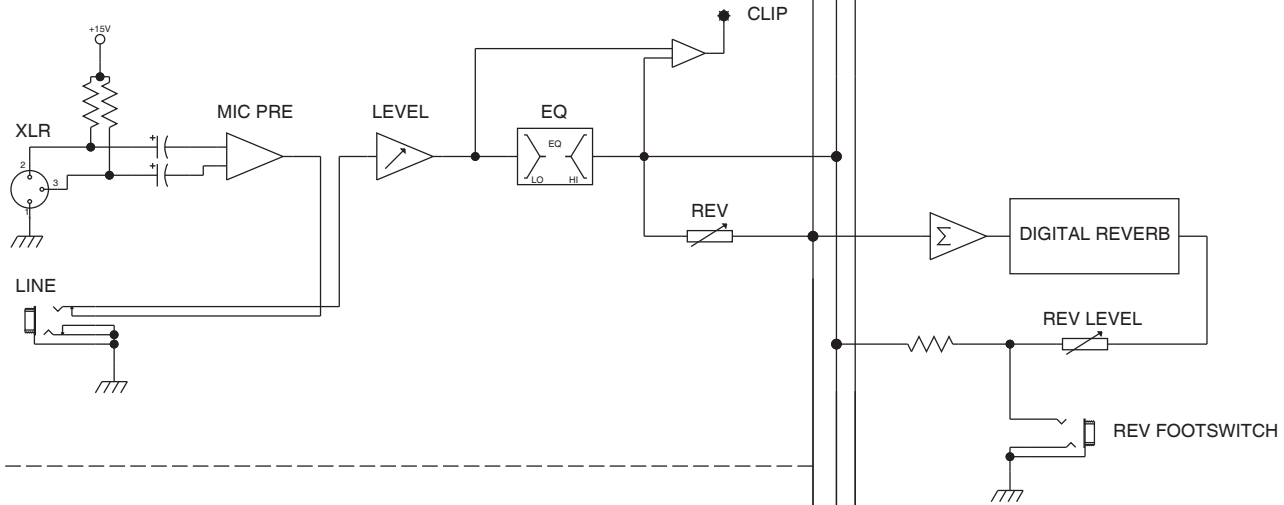
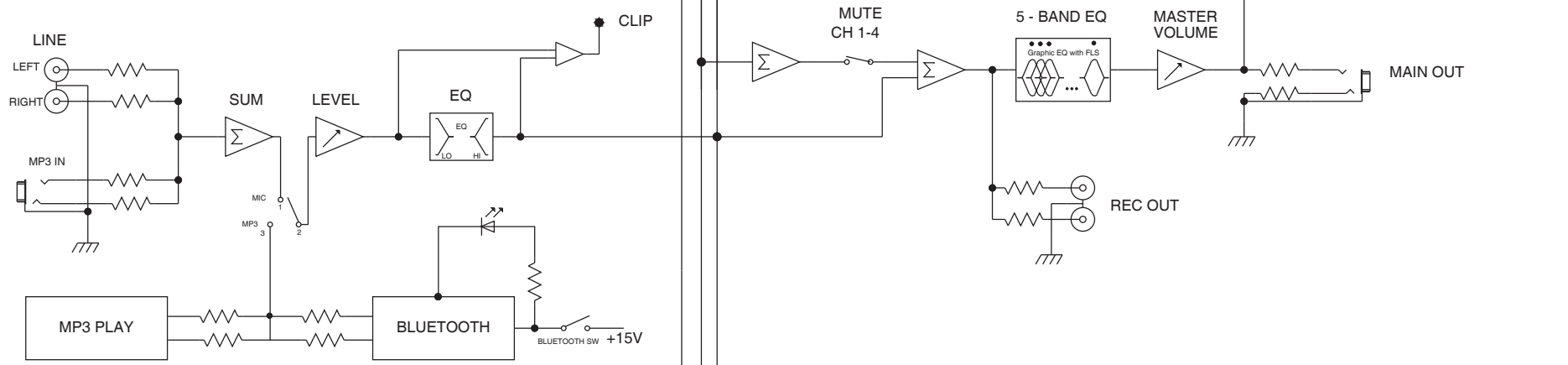


Block Diagram

CHANNEL 1 - 4



CHANNEL 5



3. Functional Diagram

