



P E A V E Y . C O M

P . 6 0 1 . 4 8 3 . 5 3 6 5

F . 6 0 1 . 4 8 6 . 1 2 7 8

Declaration concerning Antenna Specification

It is hereby declared that the product

Model No.: ESCORT 6000

FCC ID: I4S-ESCORT6000

fulfills the requirement in FCC test relating to the antenna type.

The device specified above confirms to the FCC recommendations for please specify: external antenna type described below:

Model No. of antenna: WSS002

Type of antenna: external antenna /RP-SMA

Gain of the antenna: 2 dBi

Frequency range: 2400-2483.5 MHz

The mounting of the antenna is fixed to the radio module and no other antenna should be used.

Company name: Peavey Electronics Corporation,
Address: 5022 Hartley Peavey Drive, Meridian, MS 39305, United States

Place: _____ Date: 12/07/13

Signature: _____

Provided by Eurofins Product Service GmbH v.0.2



WSS002 Series---2.4GHz Swivel Type

1. Electrical Properties

Item	Property
Frequency Range	2.4~2.4835 GHz
Impedance	50Ω
VSWR (see Fig. 1)	1.5 max
Return Loss (see Fig 2)	-13 dB max
Gain (see Fig 3, Fig 4)	2 dBi (Typ.)
Polarization	Linear
Radiation Pattern	Near omni-directional in the horizontal plane
Admitted Power	1 W
Electrical	1/2 λ Dipole

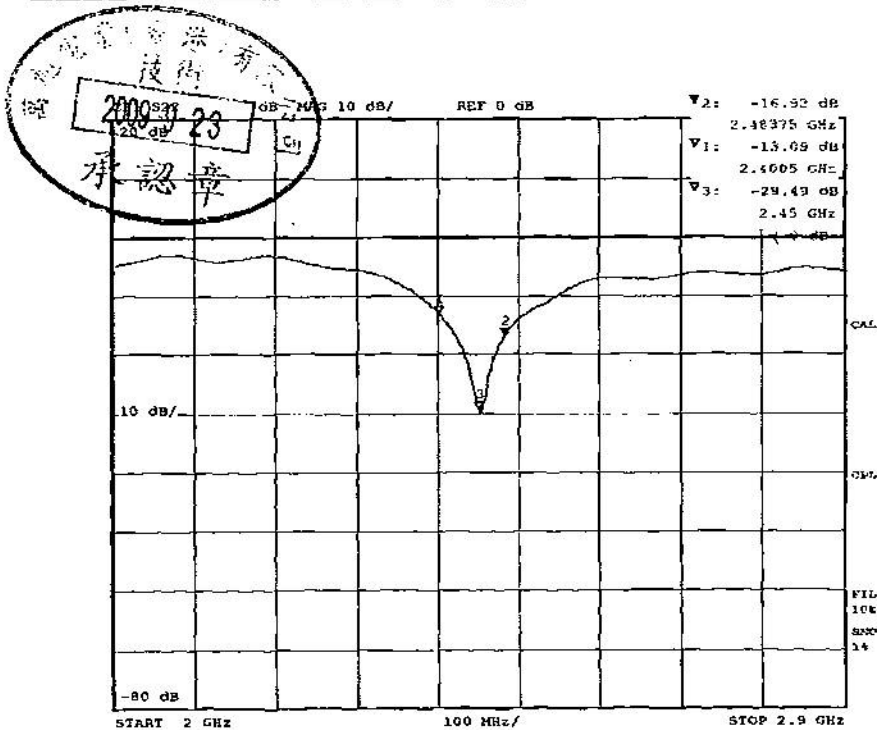


Fig 1 Return Loss For 2.4GHz

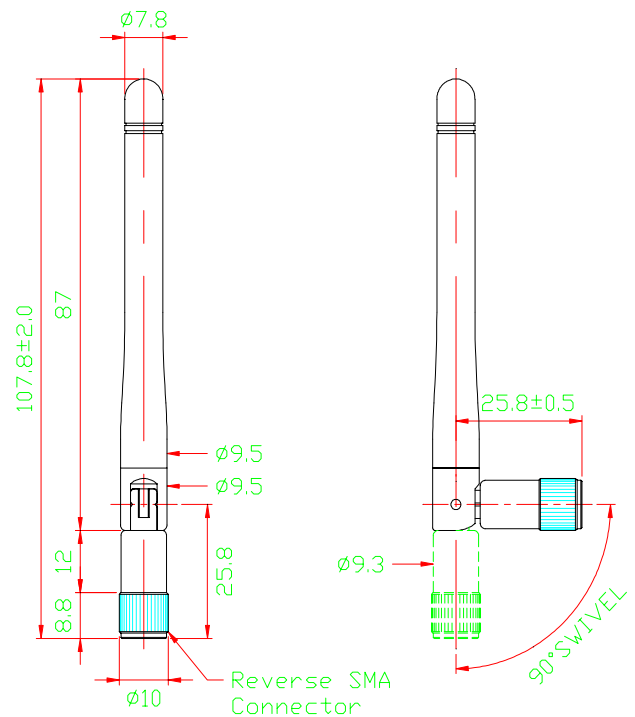
2. Mechanical Properties

Item	Property
Color	Black/Gray
Coaxial-Cable	RG-178
Plastic Cover	TPU
Antenna Base	PC
Connector	RP-SMA

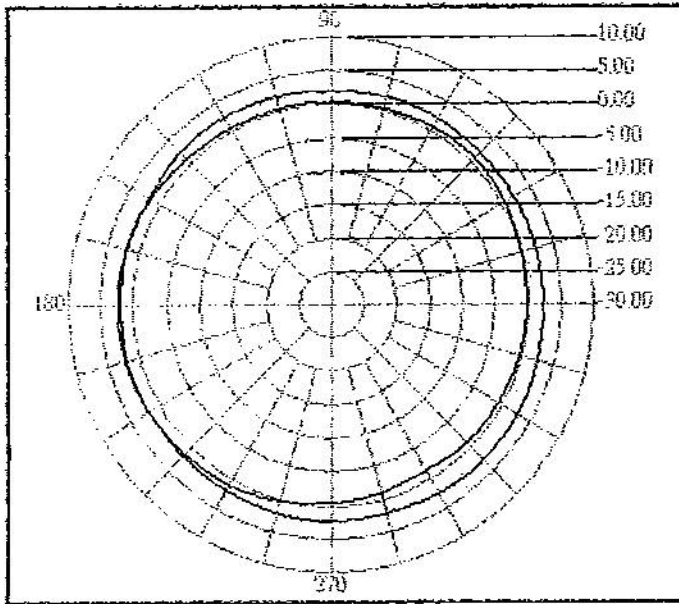
Operation Temperature: -20~+65°C

Storage Temperature: -20~+65°C

3. Physical Dimensions

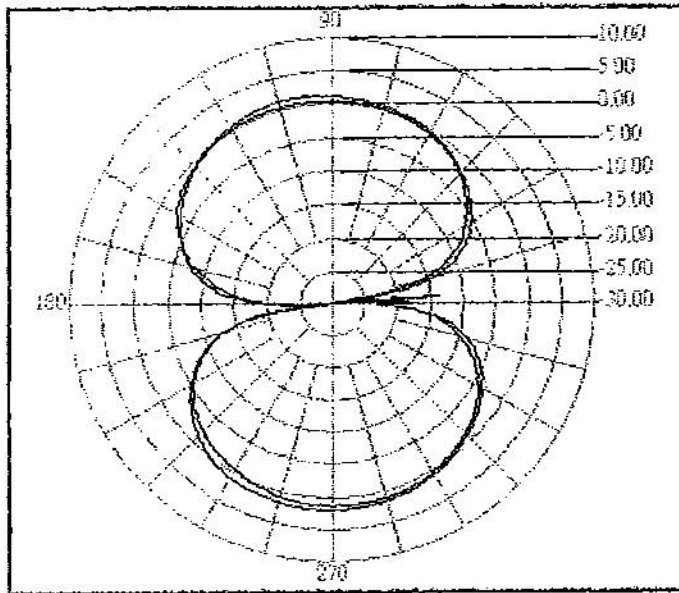


電鍍如 Sample 的 Gold plate!



Freq(MHz)	peak(dBi)	Angle(o)	Avg(dBi)
2400.00	2.88	136.08	2.03
2450.00	2.83	123.51	2.29
2490.00	2.19	165.77	0.67

Fig.3 H-Plane



Freq(MHz)	peak(dBi)	Angle(o)	Avg(dBi)
2400.00	2.36	96.49	-0.89
2450.00	2.06	267.84	-1.23
2490.00	1.38	271.55	-1.85

Fig.4 E-Plane

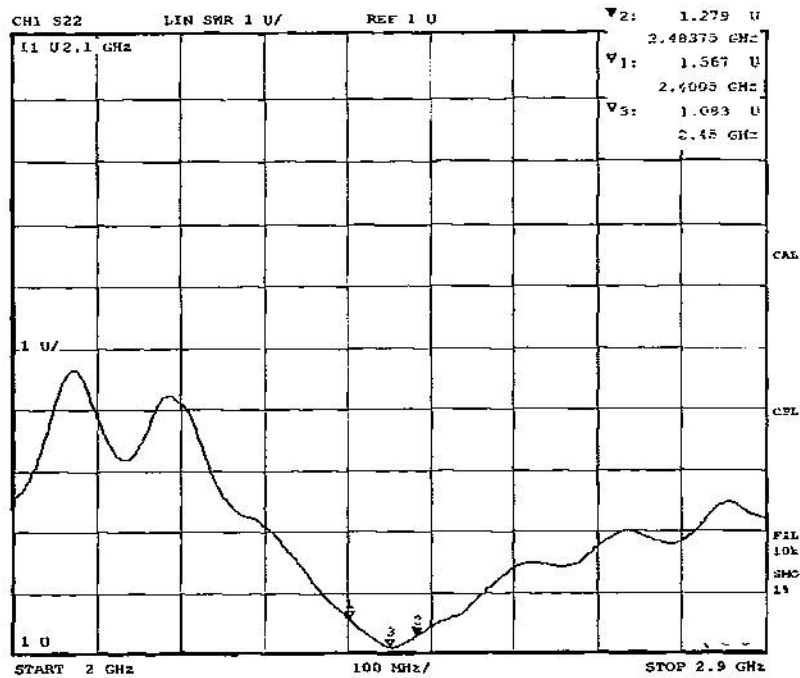
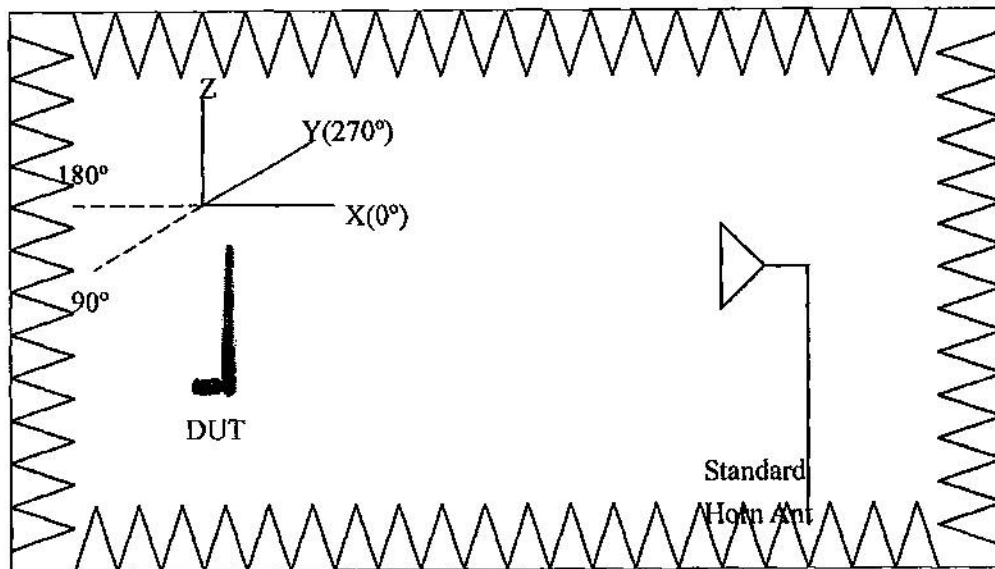


Fig 2 V.S.W.R For 2.4GHz



Measuring factors definition