

# TEST REPORT

**Product Name** : Tablet  
**Model Number** : MS-NDA1  
**FCC ID** : I4L-MSNDA101

Prepared for : Micro-Star Int'l Co., Ltd.  
Address : No., 69, Lide St., Zhonghe Dist., New Taipei City, Taiwan

Prepared by : EMTEK (SHENZHEN) CO., LTD.  
Address : Bldg 69, Majialong Industry Zone, Nanshan District,  
Shenzhen, Guangdong, China

Tel: (0755) 26954280  
Fax: (0755) 26954282

Report Number : ENS2311100034W00104R  
Date(s) of Tests : January 2, 2024 to January 15, 2024  
Date of Issue : January 16, 2024

## TABLE OF CONTENTS

1 TEST RESULT CERTIFICATION.....	4
2 EUT TECHNICAL DESCRIPTION.....	5
3 SUMMARY OF TEST RESULT.....	6
4 TEST METHODOLOGY.....	7
4.1 GENERAL DESCRIPTION OF APPLIED STANDARDS.....	7
4.2 MEASUREMENT EQUIPMENT USED.....	7
4.3 DESCRIPTION OF TEST MODES.....	8
5 FACILITIES AND ACCREDITATIONS.....	12
5.1 FACILITIES.....	12
5.2 LABORATORY ACCREDITATIONS AND LISTINGS.....	12
6 TEST SYSTEM UNCERTAINTY.....	13
7 SETUP OF EQUIPMENT UNDER TEST.....	14
7.1 RADIO FREQUENCY TEST SETUP 1.....	14
7.2 RADIO FREQUENCY TEST SETUP 2.....	14
7.3 RADIO FREQUENCY TEST SETUP 3.....	14
7.4 SUPPORT EQUIPMENT.....	16
8 TEST REQUIREMENTS.....	17
8.1 RF POWER OUTPUT.....	17
8.2 EFFECTIVE (ISOTROPIC) RADIATED POWER.....	18
8.3 MODULATION CHARACTERISTICS.....	20
8.4 OCCUPIED BANDWIDTH.....	21
8.5 BAND EDGE COMPLIANCE.....	23
8.6 OUT OF BAND EMISSIONS AT ANTENNA TERMINALS.....	24
8.7 FIELD STRENGTH OF SPURIOUS RADIATION.....	25
8.8 FREQUENCY STABILITY.....	30
8.9 PEAK TO AVERAGE RATIO.....	31

### Modified Information

Version	Report No.	Revision Date	Summary
Ver.1.0	ENS2311100034W00104R	/	Original Report



# 1 TEST RESULT CERTIFICATION

Applicant : Micro-Star Int'l Co., Ltd.  
 Address : No., 69, Lide St., Zhonghe Dist., New Taipei City, Taiwan  
 Manufacturer : Micro-Star International Co., Ltd.  
 Address : No.88 East Qianjin Road, Kunshan city, Jiangsu province, China  
 Product Name : Tablet  
 Model Number : MS-NDA1  
 Trademark : MSI

### Measurement Procedure Used:

APPLICABLE STANDARDS	
STANDARD	TEST RESULT
FCC 47 CFR Part 2 , Subpart J FCC 47 CFR Part 22, Subpart H FCC 47 CFR Part 24, Subpart E FCC 47 CFR Part 27	<b>PASS</b>

The device described above is tested by EMTEK (Shenzhen) Co., Ltd. to determine the maximum emission levels emanating from the device and the severe levels of the device can endure and its performance criterion. The measurement results are contained in this test report and EMTEK (Shenzhen) Co., Ltd. is assumed full of responsibility for the accuracy and completeness of these measurements. Also, this report shows that the EUT (Equipment Under Test) is technically compliant with the above table standards requirement.


This report applies to above tested sample only and shall not be reproduced in part without written approval of EMTEK (Shenzhen) Co., Ltd.

Date of Test : January 2, 2024 to January 15, 2024

Prepared by : Una Yu  
Una Yu/Editor

Reviewer : Joe Xia  
Joe Xia/Supervisor

Approved & Authorized Signer : Lisa Wang  
Lisa Wang/Manager



## 2 EUT TECHNICAL DESCRIPTION

<b>Product Name:</b>	Tablet
<b>Model Number:</b>	MS-NDA1
<b>Operation Band:</b>	WCDMA Band 2 WCDMA Band 4 WCDMA Band 5
<b>Modulation:</b>	QPSK for WCDMA/HSUPA/HSDPA
<b>Operating Frequency Range(s):</b>	WCDMA Band 2: Tx: 1850~1910MHz/ Rx: 1930~1990MHz WCDMA Band 4: Tx:1710~1755MHz/ Rx: 2110~2155MHz WCDMA Band 5: Tx: 824~849MHz/ Rx: 869~894MHz
<b>Supported Channel Bandwidth:</b>	5 MHz
<b>Antenna Type:</b>	FPC Antenna
<b>Antenna Gain:</b>	WCDMA B2: 1.23 dBi WCDMA B4: 1.56 dBi WCDMA B5: 1.56 dBi
<b>Power Supply</b>	Rechargeable Li-ion Cylindrical Battery DC 7.2V, 9447mAh, 68Wh
<b>Temperature Extreme Range:</b>	0°C~50°C

*Note: for more details, please refer to the user's manual of the EUT.*

### 3 SUMMARY OF TEST RESULT

FCC Rule	Test Parameter	Verdict	Remark
2.1046	RF Power Output	PASS	
22.913, 24.232, 27.50	Equivalent (Isotropic) Radiated Power	PASS	
2.1047	Modulation Characteristics	PASS	
2.1049	Occupied Bandwidth	PASS	
2.1051, 22.917, 24.238, 27.53	Out of Band Emissions at Antenna Terminals	PASS	
	Band Edge Compliance	PASS	
2.1053, 22.917, 24.238, 27.53	Field Strength of Spurious Radiation	PASS	
2.1055, 22.355, 24.235, 27.54	Frequency Stability versus Temperature	PASS	
	Frequency Stability versus Voltage	PASS	
24.232, 27.50	Peak to Average Ratio	PASS	
Note: The results of this report do not take into account the uncertainty.			

#### RELATED SUBMITTAL(S) / GRANT(S):

This submittal(s) (test report) is intended for **FCC ID: I4L-MSNDA101** filing to comply with FCC 47 CFR Part 2, 22(H), 24(E), 27.

## 4 TEST METHODOLOGY

### 4.1 GENERAL DESCRIPTION OF APPLIED STANDARDS

According to its specifications, the EUT must comply with the requirements of the following standards:

FCC 47 CFR Part 2 , Subpart J  
 FCC 47 CFR Part 22, Subpart H  
 FCC 47 CFR Part 24, Subpart E  
 FCC 47 CFR Part 27  
 KDB971168 D01:v02r02  
 ANSI/TIA-603-D-2010  
 ANSI C63.26:2015

### 4.2 MEASUREMENT EQUIPMENT USED

#### For Spurious Emissions Test

Equipment	Manufacturer	Model No.	Serial No.	Last Cal.	Cal. Interval
Pre-Amplifier	Bonn	BLMA 011001N	2213967A	2023/10/23	1Year
EMI Test Receiver	Rohde & Schwarz	ESR7	102551	2023/10/23	1Year
Bilog Antenna	Schwarzbeck	VULB9163	9163142	2022/7/24	2Year
Horn antenna	Schwarzbeck	BBHA9120D	9120D-1198	2023/6/2	2Year
Pre-Amplifier	Bonn	BLMA 0118-5G	2213967B-01	2023/10/23	1Year
Spectrum Analyzer	Rohde & Schwarz	FSV3044	101290	2023/10/23	1Year
Horn antenna	Schwarzbeck	BBHA9170	9170-399	2023/5/12	2Year
Pre-Amplifier	Lunar EM	LNA18G26-40	J1012131010001	2023/5/10	1Year
Pre-Amplifier	Lunar EM	LNA26G40-40	J1013131028001	2023/5/10	1Year
Loop Antenna	Schwarzbeck	FMZB1519	1519-012	2023/5/12	2Year
Thermometer	Hegao	HTC-1	\	2023/5/16	1Year

#### For Other Test

Equipment	Manufacturer	Model No.	Serial No.	Last Cal.	Cal. Interval
5G Wireless Test Platform	KEYSIGHT	E7515B	MY60101197	2023/9/16	1Year
Wideband Radio Communication Tester	R&S	CMW500	147366	2023/5/10	1Year
Signal Analyzer	KEYSIGHT	N9010B	MY60240204	2023/9/14	1Year
Vector Signal Generator	KEYSIGHT	N5182B	MY59100922	2023/9/14	1Year
Analog Signal Generator	KEYSIGHT	N5173B	MY59100520	2023/9/14	1Year
DC Power Supply	KEYSIGHT	E3642A	MY60266212	2023/9/14	1Year
RF Control Unit	Tonscend	JS0806-1	20H8060306	N/A	N/A
Band Reject Filter Group	Tonscend	JS0806-F	20H8060310	N/A	N/A
Temperature&Humidity Chamber	ESPEC	EL-02KA	12107166	2023/5/10	1Year

### 4.3 DESCRIPTION OF TEST MODES

The EUT has been tested under its typical operating condition. The CMU200 and CMW500 used to control the EUT staying in continuous transmitting and receiving mode for testing.

The EUT configuration for testing is installed on RF field strength measurement to meet the Commissions requirement and operating in a manner which intends to maximize its emission characteristics in a continuous normal application.

During all testing, EUT is in link mode with base station emulator at maximum power level.

The Transmitter was operated in the normal operating mode. The TX frequency was fixed which was for the purpose of the measurements.

Test of channel included the lowest and middle and highest frequency to perform the test, then record on this report.

Pre-defined engineering program for regulatory testing used to control the EUT for staying in continuous transmitting and receiving mode is programmed.

#### ■ Test Mode and system config

##### UMTS REL99 Config

Transmitting performance test of the EUT is implemented during communicating with the SS via air interface. The procedure is using normal call protocol until the UE is communicating on traffic channel basically. On the traffic channel, the UE provides special function for testing that is called Logical Test Interface and the UE is tested using this function. (Refer to T TS 134.109 and TS 134.121 ).

Transmitting or receiving bit/symbol rate for test channel is shown in the following table.

Bit / Symbol rate for Test Channel

Type of User Information	User Bit Rate	DL DPCH Symbol Rate	UL DPCH Bit Rate	Remarks
12.2 kbps reference measurement channel	12.2 kbps	30 kbps	60 kbps	Standard Test

Transmitter Physical channel configuration

Mode	Rel99
Loopback mode	Test mode1
Rel99 RMC	12.2 kbps RMC
HSDPA FRC	Not applicable
HSUPA Test	Not applicable
Power control algorithm	Algorithm2
$\beta_c$	Not applicable
$\beta_d$	Not applicable
$\beta_{ec}$	Not applicable
$B_c/\beta_d$	8/15
$\beta_{hs}$	Not applicable
$\beta_{ed}$	Not applicable



### UMTS HSDPA Rel6 Config

Transmitting performance test of the EUT is implemented during communicating with the SS via air interface. The procedure is using normal call protocol until the UE is communicating on traffic channel basically. On the traffic channel, the UE provides special function for testing that is called Logical Test Interface and the UE is tested using this function. (Refer to TS 134.109 and TS 134.121 ).

Transmitting or receiving bit/symbol rate for test channel is shown in the following table .

Bit / Symbol rate for Test Channel

Type of User Information	User Bit Rate	DL DPCH Symbol Rate	UL DPCH Bit Rate	Remarks
12.2 kbps reference measurement channel	12.2 kbps	30 kbps	60 kbps	Standard Test

Transmitter Physical channel configuration

Mode	HSDPA Rel6			
subtest	1	2	3	4
Loopback mode	Test mode1			
Rel99 RMC	12.2 kbps RMC			
HSDPA FRC	H-Set1			
HSUPA Test	Not applicable			
Power control algorithm	Algorithm2			
$\beta_c$	2/15	12/15	15/15	15/15
$\beta_d$	15/15	15/15	8/15	4/15
Bd(SF)	64			
Bc/ $\beta_d$	2/15	12/15	15/8	15/4
$\beta_{hs}$	4/15	24/15	30/15	30/15
MPR(s\dB)	0	0	0.5	0.5
DACK	8			
DNAK	8			
DCQI	8			
Ack-Nack Repetition Factor	3			
CQI feedback	4ms			
CQI repetition factor	2			
Ahs= $\beta_{hs}/\beta_c$	30/15			

### UMTS HSUPA Rel6 Config

Transmitting performance test of the EUT is implemented during communicating with the SS via air interface. The procedure is using normal call protocol until the UE is communicating on traffic channel basically. On the traffic channel, the UE provides special function for testing that is called Logical Test Interface and the UE is tested using this function. (Refer to TS 134.109 and TS 134.121).

Transmitting or receiving bit/symbol rate for test channel is shown in the following table .

Bit / Symbol rate for Test Channel

Type of User Information	User Bit Rate	DL DPCH Symbol Rate	UL DPCH Bit Rate	Remarks
12.2 kbps reference measurement channel	12.2 kbps	30 kbps	60 kbps	Standard Test

## Transmitter Physical channel configuration

Mode	HSUPA Rel6				
	1	2	3	4	5
Loopback mode	Test mode1				
Rel99 RMC	12.2 kbps RMC				
HSDPA FRC	H-Set1				
HSUPA Test	HSUPA loopback				
Power control algorithm	Algorithm2				
$\beta_c$	11/15	6/15	15/15	2/15	15/15
$\beta_d$	15/15	15/15	9/15	15/15	0
$\beta_{ec}$	209/225	12/15	30/15	2/15	5/15
$\beta_{ed}$	1309/225	94/75	47/15	56/75	47/15
$\beta_c/\beta_d$	11/15	6/15	15/9	2/15	-
$\beta_{hs}$	22/15	12/15	30/15	4/15	5/15
D E-DPCCH	6	8	8	5	7
DHARQ	0	0	0	0	0
AG index	20	12	15	17	12
ETFCI	75	67	92	71	67
Associated Max UL data rate kbps	242.1	174.9	482.8	205.8	308.9
Reference E_TFCIs	E_TFCI 11 E_TFCI PO4 E_TFCI 67 E_TFCI PO18 E_TFCI 71 E_TFCI PO23 E_TFCI 75 E_TFCI PO 26 E_TFCI 81 E_TFCI PO 27	E_TFCI 11 E_TFCI PO4 E_TFCI 92 E_TFCI PO18	E_TFCI 11 E_TFCI PO4 E_TFCI 92 E_TFCI PO18	E_TFCI 11 E_TFCI PO4 E_TFCI 67 E_TFCI PO18 E_TFCI 71 E_TFCI PO23 E_TFCI 75 E_TFCI PO 26 E_TFCI 81 E_TFCI PO 27	E_TFCI 11 E_TFCI PO4 E_TFCI 67 E_TFCI PO18 E_TFCI 71 E_TFCI PO23 E_TFCI 75 E_TFCI PO 26 E_TFCI 81 E_TFCI PO 27

■ Test Environment

Environment Parameter	Selected Values During Tests	
Relative Humidity	Ambient	
Temperature	TN	Ambient
Ambient	VL	DC 7.2V
	VN	DC 6.48V
	VH	DC 7.92V
<b>NOTE:</b> VL= Lower Extreme Test Voltage VN= Nominal Voltage VH= Upper Extreme Test Voltage TN= Normal Temperature		

■ Test Channel and Frequency

Test Mode	TX / RX	RF Channel		
		Low (L)	Middle (M)	High (H)
WCDMA Band 2	TX	Channel 9262	Channel 9400	Channel 9538
		1852.4MHz	1880.0MHz	1907.6MHz
	RX	Channel 9662	Channel 9800	Channel 9938
		1932.4 MHz	1960.0 MHz	1987.6 MHz
WCDMA Band 4	TX	Channel 1312	Channel 1413	Channel 1513
		1712.4MHz	1732.6MHz	1752.6MHz
	RX	Channel 1537	Channel 1638	Channel 1738
		2112.4 MHz	2132.6 MHz	2152.6 MHz
WCDMA Band 5	TX	Channel 4132	Channel 4182	Channel 4233
		826.4MHz	836.4MHz	846.6MHz
	RX	Channel 4357	Channel 4407	Channel 4458
		871.4MHz	881.4MHz	891.6MHz

## 5 FACILITIES AND ACCREDITATIONS

### 5.1 FACILITIES

All measurement facilities used to collect the measurement data are located at

Bldg 69, Majialong Industry Zone District, Nanshan District, Shenzhen, China

The sites are constructed in conformance with the requirements of ANSI C63.7, ANSI C63.26 and CISPR Publication 22.

### 5.2 LABORATORY ACCREDITATIONS AND LISTINGS

Site Description

EMC Lab. : **Accredited by CNAS**  
The Certificate Registration Number is L2291  
The Laboratory has been assessed and proved to be in compliance with  
CNAS-CL01 (identical to ISO/IEC 17025:2017)

**Accredited by FCC**

Designation Number: CN1204

Test Firm Registration Number: 882943

**Accredited by A2LA**

The Certificate Number is 4321.01

**Accredited by Industry Canada**

The Conformity Assessment Body Identifier is CN0008

Name of Firm : EMTEK (SHENZHEN) CO., LTD.

Site Location : Building 69, Majialong Industry Zone, Nanshan District, Shenzhen,  
Guangdong, China

## 6 TEST SYSTEM UNCERTAINTY

The following measurement uncertainty levels have been estimated for tests performed on the apparatus:

Parameter	Uncertainty
Radio Frequency	$\pm 1 \times 10^{-5}$
RF Power Output	$\pm 1.0\text{dB}$
Radiated Emission Test	$\pm 2.0\text{dB}$
Occupied Bandwidth Test	$\pm 1.0\text{dB}$
Band Edge Test	$\pm 3\text{dB}$
All emission, radiated	$\pm 3\text{dB}$
Antenna Port Emission	$\pm 3\text{dB}$
Temperature	$\pm 0.5^\circ\text{C}$
Humidity	$\pm 3\%$

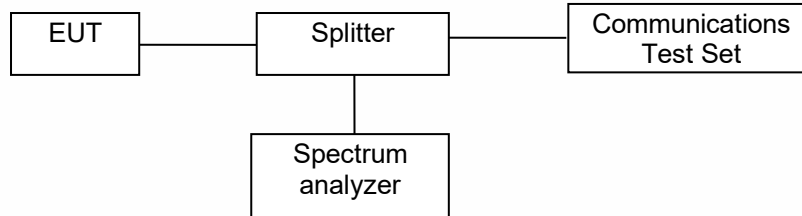
Measurement Uncertainty for a level of Confidence of 95%



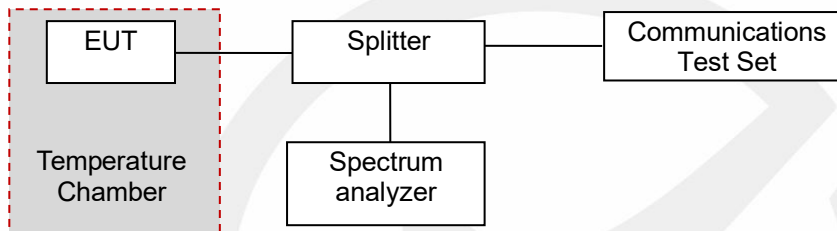
## 7 SETUP OF EQUIPMENT UNDER TEST

### 7.1 RADIO FREQUENCY TEST SETUP 1

The sample component's antenna ports(s) of the EUT are connected to the measurement instrument per an appropriate attenuator. The EUT is controlled by PC/software to emit the specified signals for the purpose of measurements.



### 7.2 RADIO FREQUENCY TEST SETUP 2



### 7.3 RADIO FREQUENCY TEST SETUP 3

The test site semi-anechoic chamber has met the requirement of NSA tolerance 4 dB according to the standards: ANSI C63.10. The test distance is 3m. The setup is according to the requirements in Section 13.1.4.1 of ANSI C63.26-2015 and CAN/CSA-CEI/IEC CISPR 22.

Below 30MHz:

The EUT is placed on a turntable 0.8 meters above the ground in the chamber, 3 meter away from the antenna (loop antenna). The Antenna should be positioned with its plane vertical at the specified distance from the EUT and rotated about its vertical axis for maximum response at each azimuth about the EUT. The center of the loop shall be 1 m above the ground. For certain applications, the loop antenna plane may also need to be positioned horizontally at the specified distance from the EUT.

Above 30MHz:

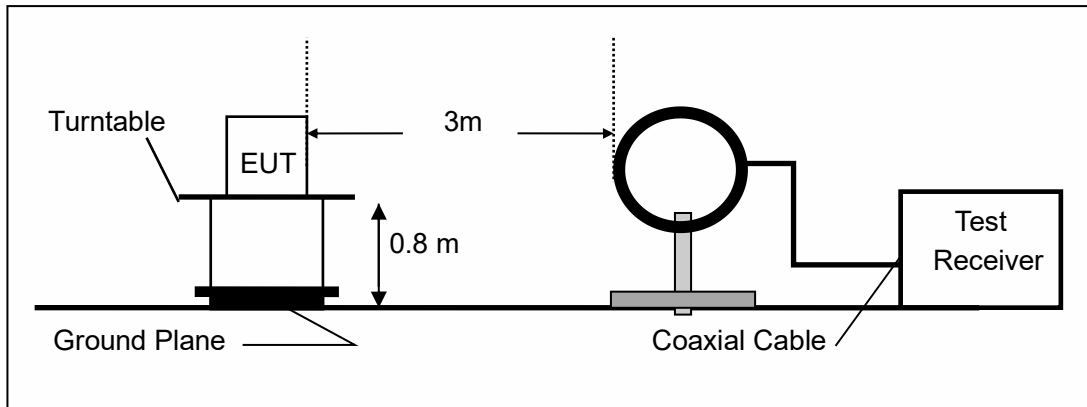
The EUT is placed on a turntable 0.8 meters above the ground in the chamber, 3 meter away from the antenna. The maximal emission value is acquired by adjusting the antenna height, polarisation and turntable azimuth. Normally, the height range of antenna is 1 m to 4 m, the azimuth range of turntable is 0° to 360°, and the receive antenna has two polarizations Vertical (V) and Horizontal (H).

Above 1GHz:

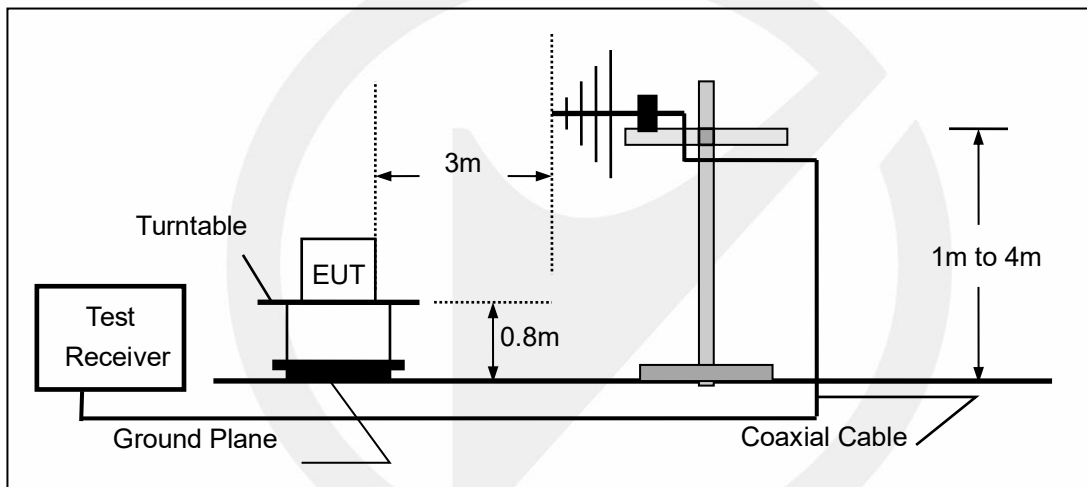
(Note: the FCC's permission to use 1.5m as an alternative per TCBC Conf call of Dec. 2, 2014.)

The EUT is placed on a turntable 1.5 meters above the ground in the chamber, 3 meter away from the antenna. The maximal emission value is acquired by adjusting the antenna height, polarisation and turntable azimuth. Normally, the height range of antenna is 1 m to 4 m, the azimuth range of turntable is 0° to 360°, and the receive antenna has two polarizations Vertical (V) and Horizontal (H).

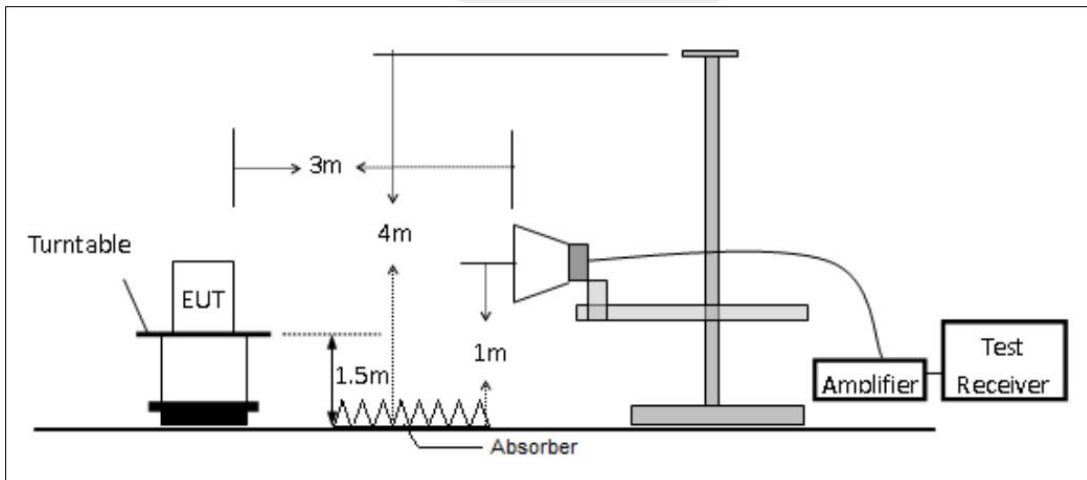
(a) Radiated Emission Test Set-Up, Frequency Below 30MHz



(b) Radiated Emission Test Set-Up, Frequency Below 1000MHz



(c) Radiated Emission Test Set-Up, Frequency above 1000MHz



## 7.4 SUPPORT EQUIPMENT

N/A

**Notes:**

1. All the equipment/cables were placed in the worst-case configuration to maximize the emission during the test.
2. Grounding was established in accordance with the manufacturer's requirements and conditions for the intended use.
3. Unless otherwise denoted as EUT in 『Remark』 column , device(s) used in tested system is a support equipment.





## 8 TEST REQUIREMENTS

### 8.1 RF POWER OUTPUT

#### 8.1.1 Conformance Limit

No limit requirement.

#### 8.1.2 Test Configuration

Test according to clause 7.1 radio frequency test setup 1.

#### 8.1.3 Test Procedure

Connect the EUT to Universal Radio Communication Tester CMU200 or CMU500 via the antenna connector. A call is set up by the SS according to the generic call set up procedure on a channel with ARFCN in the ARFCN range, power control level set to Max power. The frequency band is set as selected frequency, the RF output of the transmitter was connected to base station simulator.

Set EUT at maximum average power by base station simulator.

Set RBW = 1-5% of the OBW, not to exceed 1 MHz.

Set VBW  $\geq 3 \times$  RBW.

Number of points in sweep  $\geq 2 \times$  span / RBW. (This gives bin-to-bin spacing  $\leq$  RBW/2, so that narrowband signals are not lost between frequency bins.)

Sweep time = auto.

Detector = RMS (power averaging).

Set sweep trigger to "free run".

Trace average at least 100 traces in power averaging (i.e., RMS) mode; however, the number of traces to be averaged shall be increased above 100 as needed such that the average accurately represents the true average over the on and off periods of the transmitter.

Compute power by integrating the spectrum across the OBW of the signal using the instrument's band power measurement function with band limits set equal to the OBW band edges. If the instrument does not have a band power function, sum the spectrum levels (in power units) at intervals equal to the RBW extending across the entire OBW of the spectrum.

Add  $10 \log(1/x)$ , where  $x$  is the duty cycle, to the measured power in order to compute the average power during the actual transmission times (because the measurement represents an average over both the on and off times of the transmission). For example, add  $10 \log(1/0.25) = 6$  dB if the duty cycle is a constant 25%.

Measure lowest, middle, and highest channels for each bandwidth and different modulation.

Measure and record the results in the test report.

#### 8.1.4 Test Results

**PASS**

Please refer to FCC 3G Appendix Band.

## 8.2 EFFECTIVE (ISOTROPIC) RADIATED POWER

### 8.2.1 Conformance Limit

For FCC Part 22.913

Extend coverage on a secondary basis into cellular unserved areas, as those areas are defined in §22.949, the ERP of base transmitters and cellular repeaters of such systems must not exceed 1000 Watts. The ERP of mobile transmitters and auxiliary test transmitters must not exceed 7 Watts.

For FCC Part 24.232

Mobile and portable stations are limited to 2 watts EIRP and the equipment must employ a means for limiting power to the minimum necessary for successful communications.

For FCC Part 27.50

Fixed, mobile, and portable (hand-held) stations operating in the 1710-1755 MHz band and mobile and portable stations operating in the 1695-1710 MHz and 1755-1780 MHz bands are limited to 1 watt EIRP. Fixed stations operating in the 1710-1755 MHz band are limited to a maximum antenna height of 10 meters above ground. Mobile and portable stations operating in these bands must employ a means for limiting power to the minimum necessary for successful communications.

### 8.2.2 Test Configuration

Test according to clause 7.3 radio frequency test setup 3

### 8.2.3 Test Procedure

Connect the EUT to Universal Radio Communication Tester CMU200 or CMU500 via the antenna connector. A call is set up by the SS according to the generic call set up procedure on a channel with ARFCN in the Mid ARFCN range, power control level set to Max power. MS TXPWR\_MAX\_CCH is set to the maximum value supported by the Power Class of the Mobile under test.

The instrument must have an available measurement/resolution bandwidth that is equal to or exceeds the OBW. If this capability is available, then the following procedure can be used to determine the total peak output power.

- a) Set the RBW  $\geq$  OBW.
- b) Set VBW  $\geq 3 \times$  RBW.
- c) Set span  $\geq 2 \times$  RBW
- d) Sweep time = auto couple.
- e) Detector = peak.
- f) Ensure that the number of measurement points  $\geq$  span/RBW.
- g) Trace mode = max hold.
- h) Allow trace to fully stabilize.
- i) Use the peak marker function to determine the peak amplitude level.

The EUT was placed on a turn table which is 0.8m above ground plane. Maximum procedure was performed on the six highest emissions to ensure EUT compliance. And also, each emission was to be maximized by changing the polarization of receiving antenna both horizontal and vertical. Repeat above procedures until all frequency measured was complete.

A receiving antenna was placed on the antenna mast 3 meters from the EUT for emission measurements. The height of receiving antenna is 1.5m. The test setup refers to figure below. Detected emissions were maximized at each frequency by rotating the EUT through 360° and adjusting the receiving antenna polarization. The radiated emission measurements of all transmit frequencies in three channels (High, Middle, Low) were measured with peak detector.

The EUT is then put into continuously transmitting mode at its maximum power level during the test. And the maximum value of the receiver should be recorded as (Pr).

The EUT shall be replaced by a substitution antenna. The test setup refers to figure below. In the chamber, an substitution antenna for the frequency band of interest is placed at the reference point of the chamber. An RF Signal source for the frequency band of interest is connected to the substitution antenna with a cable that has been constructed to not interfere with the radiation pattern of the antenna. A power (PMea) is applied to the input of the substitution antenna, and adjust the level of the signal generator output until the value of the

receiver reach the previously recorded ( $P_r$ ). The power of signal source ( $P_{Mea}$ ) is recorded. The test should be performed by rotating the test item and adjusting the receiving antenapolarization.

A amplifier should be connected to the Signal Source output port. And the cable should be connect between the Amplifier and the Substitution Antenna.

The cable loss ( $P_{cl}$ ), the Substitution Antenna Gain ( $G_a$ ) and the Amplifier Gain ( $P_{Ag}$ ) should be recorded after test.

The measurement results are obtained as described below:

Power(EIRP)= $P_{Mea}$ -  $P_{Ag}$  -  $P_{cl}$  -  $G_a$

This value is EIRP since the measurement is calibrated using an antenna of known gain (2.15 dBi) and known input power.

ERP can be calculated from EIRP by subtracting the gain of the dipole,

ERP = EIRP -2.15dBi.

#### 8.2.4 Test Results

**PASS**

Please refer to FCC 3G Appendix Band.



### 8.3 MODULATION CHARACTERISTICS

#### 8.3.1 Conformance Limit

No specific modulation characteristics requirement limits.

#### 8.3.2 Test Configuration

Test according to clause 7.1 radio frequency test setup 1.

#### 8.3.3 Test Procedure

Connect the EUT to Universal Radio Communication Tester CMU200 or CMU500 via the antenna connector. A call is set up by the SS according to the generic call set up procedure on a channel with ARFCN in the Mid ARFCN range, power control level set to Max power. MS TXPWR\_MAX\_CCH is set to the maximum value supported by the Power Class of the Mobile under test, The frequency band is set as selected frequency, test method was according to 3GPP TS 51.010 and 3GPP TS 34.121. and 3GPP2 C.S0011/TIA-98-E for 1XRTT. and 3GPP2 C.S0033-0/tia-866 for Rel.0 and 3GPP2 C.S0033-A for Rev.A The waveform quality and constellation of the was tested.

#### 8.3.4 Test Results

**PASS**

Please refer to FCC 3G Appendix Band.

## 8.4 OCCUPIED BANDWIDTH

### 8.4.1 Conformance Limit

No specific modulation characteristics requirement limits.

### 8.4.2 Test Configuration

Test according to clause 7.1 radio frequency test setup 1.

### 8.4.3 Test Procedure

Connect the EUT to Universal Radio Communication Tester CMU200 or CMU500 via the antenna connector. A call is set up by the SS according to the generic call set up procedure on a channel with ARFCN in the Mid ARFCN range, power control level set to Max power. MS TXPWR\_MAX\_CCH is set to the maximum value supported by the Power Class of the Mobile under test.

#### ■ 99% Occupied bandwidth

The following procedure shall be used for measuring (99 %) power bandwidth.

- a) The spectrum analyzer center frequency is set to the nominal EUT channel center frequency. The frequency span for the spectrum analyzer shall be set wide enough to capture all modulation products including the emission skirts (i.e., two to five times the OBW).
- b) The nominal IF filter bandwidth (3 dB RBW) shall be in the range of 1 to 5 % of the anticipated OBW, and the VBW shall be at least 3 times the RBW.
- c) Set the reference level of the instrument as required to keep the signal from exceeding the maximum input mixer level for linear operation. In general, the peak of the spectral envelope must be at least  $10\log(\text{OBW} / \text{RBW})$  below the reference level.
- d) NOTE—Steps a) through c) may require iteration to adjust within the specified tolerances.
- e) Set the detection mode to peak, and the trace mode to max hold.
- f) Use the 99 % power bandwidth function of the spectrum analyzer (if available) and report the measured bandwidth.
- g) If the instrument does not have a 99 % power bandwidth function, the trace data points are to be recovered and directly summed in linear power terms. The recovered amplitude data points, beginning at the lowest frequency, are placed in a running sum until 0.5 % of the total is reached; that frequency is recorded as the lower frequency. The process is repeated until 99.5 % of the total is reached; that frequency is recorded as the upper frequency. The 99 % power bandwidth is the difference between these two frequencies.
- h) The OBW shall be reported by providing plot(s) of the measuring instrument display. The frequency and amplitude axes and scale shall be clearly labeled. Tabular data may be reported in addition to the plot(s).

#### ■ 26 dB Occupied bandwidth

The reference value is the highest level of the spectral envelope of the modulated signal.

- a) The spectrum analyzer center frequency is set to the nominal EUT channel center frequency. The span range for the spectrum analyzer shall be between two and five times the anticipated OBW.
- b) The nominal resolution bandwidth (RBW) shall be in the range of 1 to 5 % of the anticipated OBW, and the VBW shall be at least 3 times the RBW.
- c) Set the reference level of the instrument as required to prevent the signal from exceeding the maximum input mixer level for linear operation. In general, the peak of the spectral envelope must be at least  $10\log(\text{OBW} / \text{RBW})$  below the reference level.
- d) NOTE—Steps a) through c) may require iteration to adjust within the specified tolerances.
- e) The dynamic range of the spectrum analyzer at the selected RBW shall be at least 10 dB below the target “-X dB down” requirement (i.e., if the requirement calls for measuring the -26 dB OBW, the spectrum analyzer noise floor at the selected RBW shall be at least 36 dB below the reference value).
- f) Set the detection mode to peak, and the trace mode to max hold.
- g) Determine the reference value: Set the EUT to transmit a modulated signal. Allow the trace to stabilize. Set the spectrum analyzer marker to the highest level of the displayed trace (this is the reference value).
- h) Determine the “-X dB down amplitude” as equal to (Reference Value – X). Alternatively, this calculation can be performed by the analyzer by using the marker-delta function.

i) Place two markers, one at the lowest and the other at the highest frequency of the envelope of the spectral display such that each marker is at or slightly below the “-X dB down amplitude” determined in step g). If a marker is below this “-X dB down amplitude” value it shall be placed as close as possible to this value. The OBW is the positive frequency difference between the two markers.

j) The occupied bandwidth shall be reported by providing plot(s) of the measuring instrument display. The frequency and amplitude axes and scale shall be clearly labeled. Tabular data may be reported in addition to the plot(s).

#### 8.4.4 Test Results

#### PASS

Please refer to FCC 3G Appendix Band.



## 8.5 BAND EDGE COMPLIANCE

### 8.5.1 Conformance Limit

For FCC Part 22.917

≤ -13 dBm/1%\*EBW, in 1 MHz bands immediately outside and adjacent to the frequency block.

For FCC Part 24.238

≤ -13 dBm/1%\*EBW, in 1 MHz bands immediately outside and adjacent to the frequency block.

For FCC Part 27.53

≤ -13 dBm/1%\*EBW, in 1 MHz bands immediately outside and adjacent to the frequency block.

### 8.5.2 Test Configuration

Test according to clause 7.1 radio frequency test setup 1.

### 8.5.3 Test Procedure

Connect the EUT to Universal Radio Communication Tester CMU200 or CMU500 via the antenna connector. A call is set up by the SS according to the generic call set up procedure on a channel with ARFCN in the Mid ARFCN range, power control level set to Max power. MS TXPWR\_MAX\_CCH is set to the maximum value supported by the Power Class of the Mobile under test.

Spectrum Analyzer is set as below:

SET RBW ≥ 1% of Emission BW

SET VBW about three times of RBW

Detector: RMS

Trace mode= max hold

Span= 2MHz

### 8.5.4 Test Results

**PASS**

Please refer to FCC 3G Appendix Band.



## 8.6 OUT OF BAND EMISSIONS AT ANTENNA TERMINALS

### 8.6.1 Conformance Limit

For FCC Part 22.917

Out of band emissions. The power of any emission outside of the authorized operating frequency ranges must be attenuated below the transmitting power (P) by a factor of at least  $43 + 10 \log(P)$  dB.

For FCC Part 24.238

Out of band emissions. The power of any emission outside of the authorized operating frequency ranges must be attenuated below the transmitting power (P) by a factor of at least  $43 + 10 \log(P)$  dB.

For FCC Part 27.53

Out of band emissions. The power of any emission outside of the authorized operating frequency ranges must be attenuated below the transmitting power (P) by a factor of at least  $43 + 10 \log(P)$  dB.

The specification that emissions shall be attenuated below the transmitter power (P) by at least  $43 + 10 \log(P)$  dB, translates in the relevant power range (1 to 0.001 W) to -13 dBm. At 1 W the specified minimum attenuation becomes 43 dB and relative to a 30 dBm (1 W) carrier becomes a limit of -13 dBm. At 0.001 W (0 dBm) the minimum attenuation is 13 dB, which again yields a limit of -13 dBm. In this way a translation of the specification from relative to absolute terms is carried out.

### 8.6.2 Test Configuration

Test according to clause 7.1 radio frequency test setup 1.

### 8.6.3 Test Procedure

The transmitter output (antenna port) was connected to the spectrum analyzer.

Connect the EUT to Universal Radio Communication Tester CMU200 or CMU500 via the antenna connector. A call is set up by the SS according to the generic call set up procedure on a channel with ARFCN in the Mid ARFCN range, power control level set to Max power. MS TXPWR\_MAX\_CCH is set to the maximum value supported by the Power Class of the Mobile under test.

Spectrum Analyzer is set as below:

9kHz~150kHz, RBW = 1KHz, VBW  $\geq 3 \times$ RBW,

150kHz~30MHz, RBW = 10KHz, VBW  $\geq 3 \times$ RBW,

30MHz~1GHz, RBW = 100 kHz, VBW = 300 kHz. Above 1GHz, RBW = 1 MHz, VBW = 3 MHz.

Detector: Peak

Trace mode= max hold

### 8.6.4 Test Results

**PASS**

Please refer to FCC 3G Appendix Band.



## 8.7 FIELD STRENGTH OF SPURIOUS RADIATION

### 8.7.1 Conformance Limit

For FCC Part 22.917

Out of band emissions. The power of any emission outside of the authorized operating frequency ranges must be attenuated below the transmitting power (P) by a factor of at least  $43 + 10 \log(P)$  dB.

For FCC Part 24.238

Out of band emissions. The power of any emission outside of the authorized operating frequency ranges must be attenuated below the transmitting power (P) by a factor of at least  $43 + 10 \log(P)$  dB.

For FCC Part 27.53

Out of band emissions. The power of any emission outside of the authorized operating frequency ranges must be attenuated below the transmitting power (P) by a factor of at least  $43 + 10 \log(P)$  dB.

The specification that emissions shall be attenuated below the transmitter power (P) by at least  $43 + 10 \log(P)$  dB, translates in the relevant power range (1 to 0.001 W) to -13 dBm. At 1 W the specified minimum attenuation becomes 43 dB and relative to a 30 dBm (1 W) carrier becomes a limit of -13 dBm. At 0.001 W (0 dBm) the minimum attenuation is 13 dB, which again yields a limit of -13 dBm. In this way a translation of the specification from relative to absolute terms is carried out.

### 8.7.2 Test Configuration

Test according to clause 7.3 radio frequency test setup 3.

### 8.7.3 Test Procedure

Connect the EUT to Universal Radio Communication Tester CMU200 or CMU500 via the antenna connector. A call is set up by the SS according to the generic call set up procedure on a channel with ARFCN in the Mid ARFCN range, power control level set to Max power. MS TXPWR\_MAX\_CCH is set to the maximum value supported by the Power Class of the Mobile under test.

Compliance with these rules is based on the use of measurement instrumentation employing a resolution bandwidth of 100 kHz or greater. In the 1 MHz bands immediately outside and adjacent to the frequency block a resolution bandwidth of at least one percent of the emission bandwidth of the fundamental emission of the transmitter may be employed. A narrower resolution bandwidth is permitted in all cases to improve measurement accuracy provided the measured power is integrated over the full required measurement bandwidth (i.e. 100 kHz or 1 percent of emission bandwidth, as specified). The emission bandwidth is defined as the width of the signal between two points, one below the carrier center frequency and one above the carrier center frequency, outside of which all emissions are attenuated at least 26 dB below the transmitter power, then the following procedure can be used to determine spurious emission.

- a) RBW = 1 MHz for  $f \geq 1$  GHz(1GHz to 25GHz), 100 kHz for  $f < 1$  GHz(30MHz to 1GHz), 200Hz for  $f < 150$ KHz(9KHz to 150KHz), 9KHz for  $f < 30$ MHz(150KHz to 30KHz)
- b) Set VBW  $\geq 3 \times$  RBW
- c) Set span wide enough to fully capture the emission being measured
- d) Sweep time = auto couple.
- e) Detector = peak
- f) Ensure that the number of measurement points  $\geq$  span/RBW
- g) Trace mode = max hold
- h) Allow trace to fully stabilize
- i) Use the peak marker function to determine the peak amplitude level

Step1. The EUT was placed on a rotatable wooden table with 0.8 meter above ground.

Step2. The EUT was set 3 meters from the receiving antenna, which was mounted on the antenna tower.

Step3. The table was rotated 360 degrees to determine the position of the highest spurious emission.

Step4. The height of the receiving antenna is varied between one meter and four meters to search the maximum spurious emission for both horizontal and vertical polarizations.

Step5. Make the measurement with the spectrum analyzer's RBW , VBW , taking the record of maximum spurious emission.

Step6. A horn antenna was substituted in place of the EUT and was driven by a signal generator.

Step7. Tune the output power of signal generator to the same emission level with EUT maximum spurious emission.

Step8. Taking the record of output power at antenna port.

Step9. Repeat step 7 to step 8 for another polarization.

Step10. Emission level (dBm) = output power + substitution Gain.

### 8.7.4 Test Results

#### PASS

All modes have been tested, and the worst result recorded was report as below:

#### ■ Spurious Emission below 30MHz (9KHz to 30MHz)

Temperature:	23.8℃	Test By:	ZXR
Humidity:	39%		
Test mode:	TX Mode		

Freq. (MHz)	Ant.Pol. H/V	Emission Level(dBuV/m) PK	Limit 3m(dBuV/m) PK	Over(dB) PK
--	--	--	--	--

Note: Data of measurement within this frequency range shown “ -- ” in the table above means the reading of emissions are attenuated more than 20dB below the permissible limits or the field strength is too small to be measured.

■ Spurious Emission Above 30MHz (30MHz to 1 GHz)

Temperature: 25°C		Mode		WCDMA Band 2		
Humidity: 60%						
Air Pressure 106kPa						
Frequency (MHz)	Antenna Polarization	RBW (kHz)	Emission level (dBm)	Limit (dBm)	Over (dB)	Verdict
111.2578	V	100	-76.24	-13.00	63.24	PASS
344.6012	V	100	-70.86	-13.00	57.86	PASS
505.904	V	100	-68.71	-13.00	55.71	PASS
673.5134	V	100	-66.84	-13.00	53.84	PASS
823.4159	V	100	-64.12	-13.00	51.12	PASS
892.5456	V	100	-62.29	-13.00	49.29	PASS
183.7834	H	100	-72.20	-13.00	59.20	PASS
347.0268	H	100	-71.01	-13.00	58.01	PASS
407.9095	H	100	-67.17	-13.00	54.17	PASS
600.0175	H	100	-53.95	-13.00	40.95	PASS
763.7459	H	100	-64.04	-13.00	51.04	PASS
987.6294	H	100	-61.32	-13.00	48.32	PASS

■ Spurious Emission Above 1GHz (1GHz to 10<sup>th</sup> harmonics)

Temperature: 25°C		Mode		WCDMA Band 2		
Humidity: 60%						
Air Pressure 106kPa						
Frequency (MHz)	Antenna Polarization	RBW (kHz)	Emission level (dBm)	Limit (dBm)	Over (dB)	Verdict
3785.157	V	1000	-48.01	-13.00	35.01	PASS
6451.2903	V	1000	-38.74	-13.00	25.74	PASS
8943.9888	V	1000	-30.01	-13.00	17.01	PASS
11453.6907	V	1000	-28.32	-13.00	15.32	PASS
14606.1212	V	1000	-23.61	-13.00	10.61	PASS
17693.9388	V	1000	-22.33	-13.00	9.33	PASS
3751.1502	H	1000	-46.99	-13.00	33.99	PASS
6461.4923	H	1000	-39.37	-13.00	26.37	PASS
8920.184	H	1000	-30.34	-13.00	17.34	PASS
11484.2969	H	1000	-28.30	-13.00	15.30	PASS
14602.7205	H	1000	-23.79	-13.00	10.79	PASS
17605.5211	H	1000	-20.68	-13.00	7.68	PASS

Note:(1) Emission Level= Reading Level+ Correct Factor +Cable Loss.

(2) Correct Factor= Ant\_F + Cab\_L - Preamp.

(3) The reading of emissions are attenuated more than 20dB below the permissible limits or the field strength is too small to be measured.

■ Spurious Emission Above 30MHz (30MHz to 1 GHz)

Temperature: 25°C		Mode		WCDMA Band 4		
Humidity: 60%						
Air Pressure 106kPa						
Frequency (MHz)	Antenna Polarization	RBW (kHz)	Emission level (dBm)	Limit (dBm)	Over (dB)	Verdict
119.0198	V	100	-76.18	-13.00	63.18	PASS
344.8437	V	100	-70.88	-13.00	57.88	PASS
502.5081	V	100	-68.61	-13.00	55.61	PASS
637.857	V	100	-66.05	-13.00	53.05	PASS
811.5304	V	100	-64.42	-13.00	51.42	PASS
987.872	V	100	-61.55	-13.00	48.55	PASS
182.5706	H	100	-71.80	-13.00	58.80	PASS
351.6354	H	100	-68.90	-13.00	55.90	PASS
407.9095	H	100	-67.80	-13.00	54.80	PASS
600.0175	H	100	-55.49	-13.00	42.49	PASS
804.7387	H	100	-63.57	-13.00	50.57	PASS
993.6934	H	100	-61.61	-13.00	48.61	PASS

■ Spurious Emission Above 1GHz (1GHz to 10<sup>th</sup> harmonics)

Temperature: 25°C		Mode		WCDMA Band 4		
Humidity: 60%						
Air Pressure 106kPa						
Frequency (MHz)	Antenna Polarization	RBW (kHz)	Emission level (dBm)	Limit (dBm)	Over (dB)	Verdict
3747.7496	V	1000	-47.73	-13.00	34.73	PASS
6488.6977	V	1000	-37.83	-13.00	24.83	PASS
8937.1874	V	1000	-29.76	-13.00	16.76	PASS
11487.6975	V	1000	-28.23	-13.00	15.23	PASS
14629.926	V	1000	-22.74	-13.00	9.74	PASS
17377.6755	V	1000	-23.01	-13.00	10.01	PASS
3815.7632	H	1000	-47.42	-13.00	34.42	PASS
6492.0984	H	1000	-39.10	-13.00	26.10	PASS
8964.3929	H	1000	-29.62	-13.00	16.62	PASS
11467.2935	H	1000	-28.72	-13.00	15.72	PASS
14680.9362	H	1000	-23.71	-13.00	10.71	PASS
17476.2953	H	1000	-20.24	-13.00	7.24	PASS

Note:(1) Emission Level= Reading Level+ Correct Factor +Cable Loss.

(2) Correct Factor= Ant\_F + Cab\_L - Preamp.

(3) The reading of emissions are attenuated more than 20dB below the permissible limits or the field strength is too small to be measured.

■ Spurious Emission Above 30MHz (30MHz to 1 GHz)

Temperature: 25°C		Mode		WCDMA Band 5		
Humidity: 60%						
Air Pressure 106kPa						
Frequency (MHz)	Antenna Polarization	RBW (kHz)	Emission level (dBm)	Limit (dBm)	Over (dB)	Verdict
119.0198	V	100	-75.62	-13.00	62.62	PASS
341.933	V	100	-70.55	-13.00	57.55	PASS
499.3548	V	100	-68.21	-13.00	55.21	PASS
636.8867	V	100	-66.86	-13.00	53.86	PASS
828.9947	V	100	-64.12	-13.00	51.12	PASS
999.7574	V	100	-60.66	-13.00	47.66	PASS
183.2983	H	100	-71.20	-13.00	58.20	PASS
347.0268	H	100	-70.18	-13.00	57.18	PASS
408.152	H	100	-67.78	-13.00	54.78	PASS
600.0175	H	100	-54.28	-13.00	41.28	PASS
759.865	H	100	-63.82	-13.00	50.82	PASS
978.4121	H	100	-60.91	-13.00	47.91	PASS

■ Spurious Emission Above 1GHz (1GHz to 10<sup>th</sup> harmonics)

Temperature: 25°C		Mode		WCDMA Band 5		
Humidity: 60%						
Air Pressure 106kPa						
Frequency (MHz)	Antenna Polarization	RBW (kHz)	Emission level (dBm)	Limit (dBm)	Over (dB)	Verdict
3815.7632	V	1000	-47.66	-13.00	34.66	PASS
6498.8998	V	1000	-38.66	-13.00	25.66	PASS
8957.5915	V	1000	-30.40	-13.00	17.40	PASS
11494.4989	V	1000	-28.59	-13.00	15.59	PASS
14595.9192	V	1000	-23.36	-13.00	10.36	PASS
17986.3973	V	1000	-24.63	-13.00	11.63	PASS
3819.1638	H	1000	-47.75	-13.00	34.75	PASS
6488.6977	H	1000	-38.56	-13.00	25.56	PASS
8984.797	H	1000	-30.45	-13.00	17.45	PASS
11518.3037	H	1000	-28.49	-13.00	15.49	PASS
14697.9396	H	1000	-24.11	-13.00	11.11	PASS
17680.3361	H	1000	-20.18	-13.00	7.18	PASS

Note:(1) Emission Level= Reading Level+ Correct Factor +Cable Loss.

(2) Correct Factor= Ant\_F + Cab\_L - Preamp.

(3) The reading of emissions are attenuated more than 20dB below the permissible limits or the field strength is too small to be measured.

## 8.8 FREQUENCY STABILITY

### 8.8.1 Conformance Limit

The frequency stability shall be measured by variation of ambient temperature and variation of primary supply voltage to ensure that the fundamental emission stays within the authorized frequency block. The frequency stability of the transmitter shall be maintained within  $\pm 0.00025\%$  ( $\pm 2.5\text{ppm}$ ) of the center frequency.

### 8.8.2 Test Configuration

Test according to clause 7.2 conducted emission test setup2.

### 8.8.3 Test Procedure

Connect the EUT to Universal Radio Communication Tester CMU200 or CMU500 via the antenna connector. A call is set up by the SS according to the generic call set up procedure on a channel with ARFCN in the ARFCN range, power control level set to Max power. MS TXPWR\_MAX\_CCH is set to the maximum value supported by the Power Class of the Mobile under test.

EUT was placed at temperature chamber and connected to an external power supply.

Temperature and voltage condition shall be tested to confirm frequency stability.

(a) Frequency measurements shall be made at the extremes of the specified temperature range and at intervals of not more than  $10^\circ$  centigrade through the range. A period of time sufficient to stabilize all of the components of the oscillator circuit at each temperature level shall be allowed prior to frequency measurement. The short-term transient effects on the frequency of the transmitter due to keying (except for broadcast transmitters) and any heating element cycling normally occurring at each ambient temperature level also shall be shown. Only the portion or portions of the transmitter containing the frequency determining and stabilizing circuitry need be subjected to the temperature variation test.

(b) The frequency stability shall be measured with variation of primary supply voltage as follows:

(1) Vary primary supply voltage from 95 to 105 percent of the nominal value for other than hand carried battery equipment.

(2) For hand carried, battery powered equipment, reduce primary supply voltage to the battery operating end point, which shall be specified by the manufacturer.

### 8.8.4 Test Results

**PASS**

Please refer to FCC 3G Appendix Band.



## 8.9 PEAK TO AVERAGE RATIO

### 8.9.1 Conformance Limit

For FCC Part 24.232

Power measurements for transmissions by stations authorized under this section may be made either in accordance with a Commission-approved average power technique or in compliance with paragraph (e) of this section. In both instances, equipment employed must be authorized in accordance with the provisions of §24.51. In measuring transmissions in this band using an average power technique, the peak-to-average ratio (PAR) of the transmission may not exceed 13 dB.

For FCC Part 27.50

Equipment employed must be authorized in accordance with the provisions of §24.51. Power measurements for transmissions by stations authorized under this section may be made either in accordance with a Commission-approved average power technique or in compliance with paragraph (d)(6) of this section. In measuring transmissions in this band using an average power technique, the peak-to-average ratio (PAR) of the transmission may not exceed 13 dB.

### 8.9.2 Test Configuration

Test according to clause 7.1 conducted emission test setup1.

### 8.9.3 Test Procedure

The EUT was connected to Spectrum Analyzer and Base Station via power divider.

The RF output of EUT was connected to the spectrum analyzer by RF cable and attenuator. The path loss was compensated to the results for each measurement.

Set the number of counts to a value that stabilizes the measured CCDF curve.

Set the measurement interval to 1 ms.

Record the maximum PAPR level associated with a probability of 0.1%.

a) Refer to instrument's analyzer instruction manual for details on how to use the power statistics/CCDF function;

b) Set resolution/measurement bandwidth  $\geq$  signal's occupied bandwidth;

c) Set the number of counts to a value that stabilizes the measured CCDF curve;

d) Set the measurement interval as follows:

1) for continuous transmissions, set to 1 ms,

2) for burst transmissions, employ an external trigger that is synchronized with the EUT burst timing sequence, or use the internal burst trigger with a trigger level that allows the burst to stabilize and set the measurement interval to a time that is less than or equal to the burst duration.

e) Record the maximum PAPR level associated with a probability of 0.1%.

### 8.9.4 Test Results

**PASS**

Please refer to FCC 3G Appendix Band.

Detail of factor for radiated emission:

Frequency(MHz)	Ant F(dB)	Cab L(dB)	Preamp(dB)	Correct Factor(dB)
0.009	20.6	0.03	\	20.63
0.15	20.7	0.1	\	20.8
1	20.9	0.15	\	21.05
10	20.1	0.28	\	20.38
30	18.8	0.45	\	19.25
30	11.7	0.62	27.9	-15.58
100	12.5	1.02	27.8	-14.28
300	12.9	1.91	27.5	-12.69
600	19.2	2.92	27	-4.88
800	21.1	3.54	26.6	-1.96
1000	22.3	4.17	26.2	0.27
1000	25.6	1.76	41.4	-14.04
3000	28.9	3.27	43.2	-11.03
5000	31.1	4.2	44.6	-9.3
8000	36.2	5.95	44.7	-2.55
10000	38.4	6.3	43.9	0.8
12000	38.5	7.14	42.3	3.34
15000	40.2	8.15	41.4	6.95
18000	45.4	9.02	41.3	13.12
18000	37.9	1.81	47.9	-8.19
21000	37.9	1.95	48.7	-8.85
25000	39.3	2.01	42.8	-1.49
28000	39.6	2.16	46.0	-4.24
31000	41.2	2.24	44.5	-1.06
34000	41.5	2.29	46.6	-2.81
37000	43.8	2.30	46.4	-0.3
40000	43.2	2.50	42.2	3.5

--- End of Report ---