

MSI	
MS-N7Y1	
File: AC/CHARG	
2 Page Num:	REV: 0.1
Modify Date:	Tuesday, December 14, 2010
Page Total: 12	

INPUT	OUTPUT
V	V
V	V
V	V
V	V
V	V
V	V
V	V
V	V
V	V
V	V

+5V

close to USB DEFF BUS

US3 SN74LVC1G080XKR

US2 SN74LVC1G080XKR

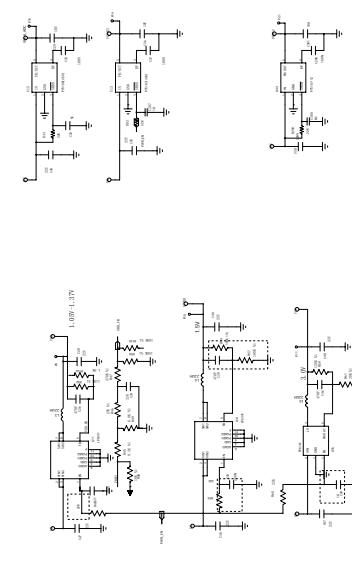
US1 SN74LVC1G080XKR

US0 SN74LVC1G080XKR

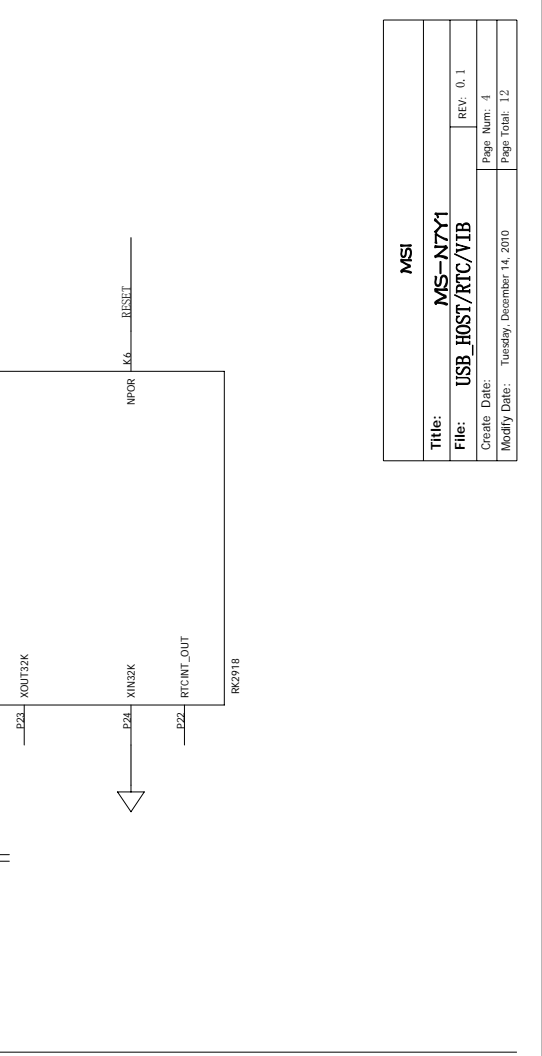
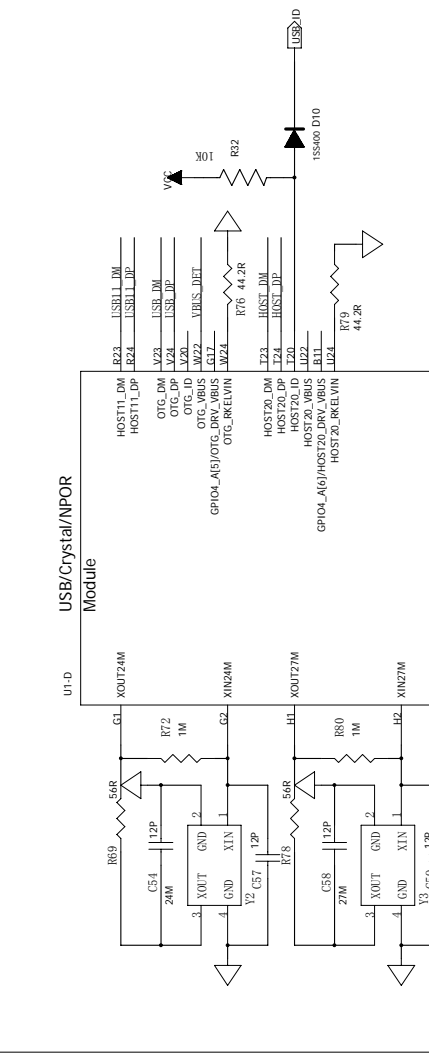
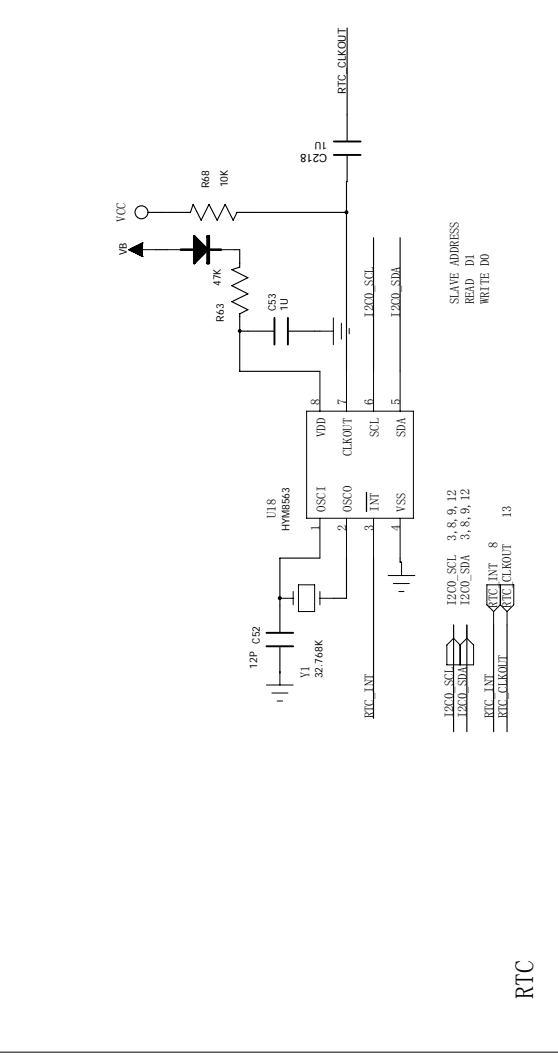
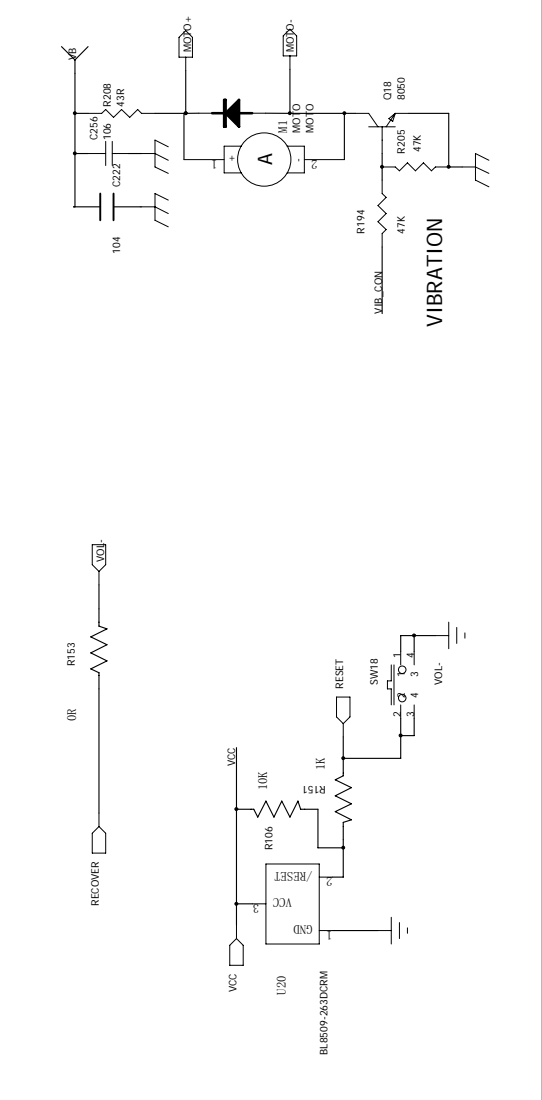
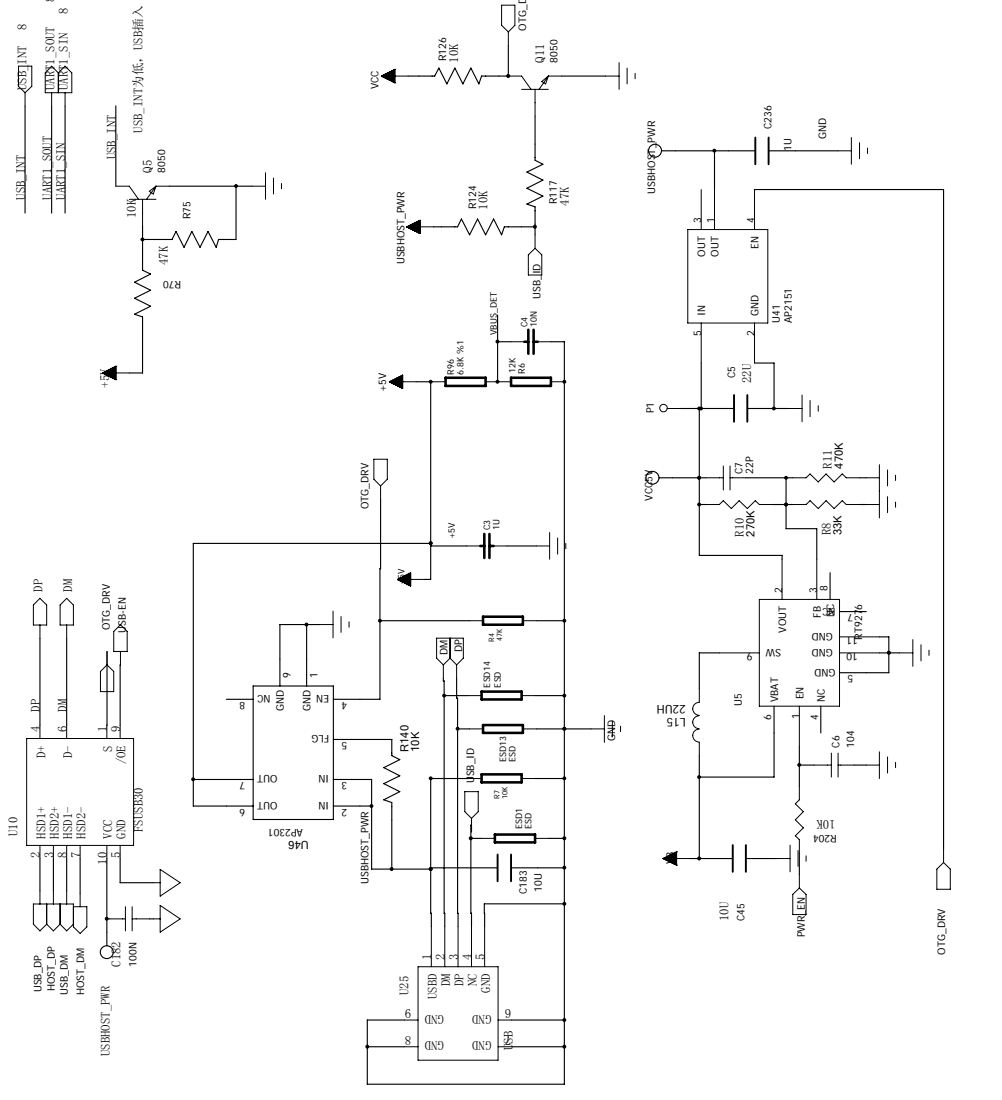
US-1 SN74LVC1G080XKR

A			B			C			D		
A			B			C			D		
A			B			C			D		
A			B			C			D		
A			B			C			D		
A			B			C			D		
A			B			C			D		
A			B			C			D		
A			B			C			D		
A			B			C			D		
A			B			C			D		
A			B			C			D		

NO.	1
NAME	SYSTEM POWER
DATE	2014.12.12
DESIGNER	LIU JIA
CHECKER	LIU JIA

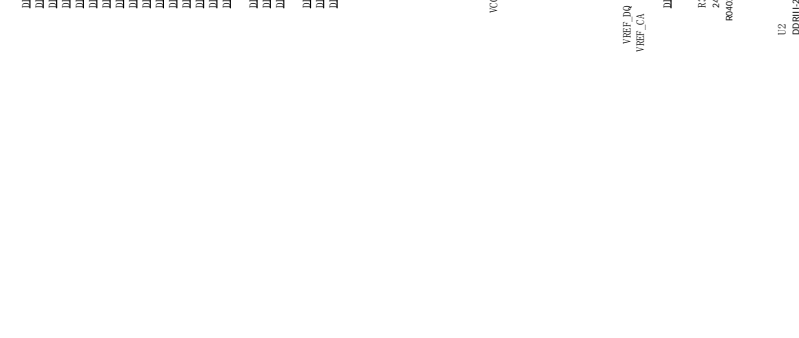
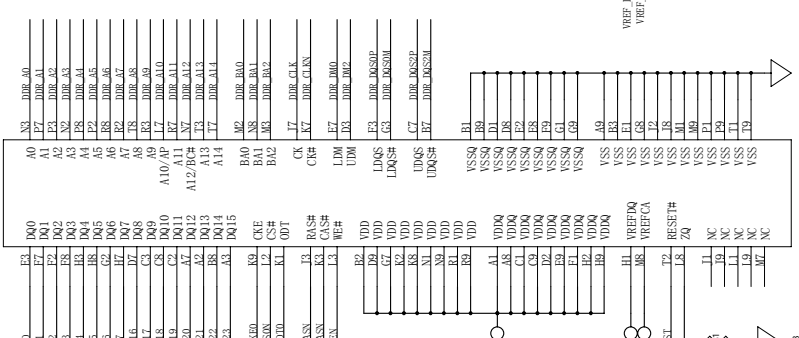
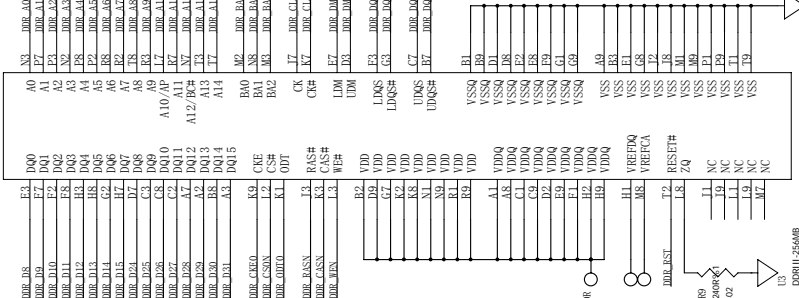


SYSTEM POWER



Title:	MS-N7Y1	REV:	0. 1
File:	USB_HOST/RTC/VIB	Page Num:	4
Create Date:	Tuesday, December 14, 2010	Page Total:	12

MEMORY Module	
DDR_00	R4
DDR_01	Q00
DDR_02	A1
DDR_03	K1
DDR_04	L1
DDR_05	L3
DDR_06	M2
DDR_07	A1
DDR_08	A8
DDR_09	A9
DDR_10	A10
DDR_11	A11
DDR_12	A12
DDR_13	A13
DDR_14	A14
DDR_15	A15
DDR_16	B0
DDR_17	B1
DDR_18	B2
DDR_19	B3
DDR_20	C0
DDR_21	C1
DDR_22	C2
DDR_23	C3
DDR_24	C4
DDR_25	C5
DDR_26	C6
DDR_27	C7
DDR_28	C8
DDR_29	C9
DDR_30	D0
DDR_31	D1
DDR_32	D2
DDR_33	D3
DDR_34	D4
DDR_35	D5
DDR_36	D6
DDR_37	D7
DDR_38	D8
DDR_39	D9
DDR_40	D10
DDR_41	D11
DDR_42	D12
DDR_43	D13
DDR_44	D14
DDR_45	D15
DDR_46	E0
DDR_47	E1
DDR_48	E2
DDR_49	E3
DDR_50	E4
DDR_51	E5
DDR_52	E6
DDR_53	E7
DDR_54	E8
DDR_55	E9
DDR_56	F0
DDR_57	F1
DDR_58	F2
DDR_59	F3
DDR_60	F4
DDR_61	F5
DDR_62	F6
DDR_63	F7
DDR_64	F8
DDR_65	F9
DDR_66	G0
DDR_67	G1
DDR_68	G2
DDR_69	G3
DDR_70	G4
DDR_71	G5
DDR_72	G6
DDR_73	G7
DDR_74	G8
DDR_75	G9
DDR_76	H0
DDR_77	H1
DDR_78	H2
DDR_79	H3
DDR_80	H4
DDR_81	H5
DDR_82	H6
DDR_83	H7
DDR_84	H8
DDR_85	H9
DDR_86	I0
DDR_87	I1
DDR_88	I2
DDR_89	I3
DDR_90	I4
DDR_91	I5
DDR_92	J0
DDR_93	J1
DDR_94	J2
DDR_95	J3
DDR_96	J4
DDR_97	J5
DDR_98	J6
DDR_99	J7
DDR_100	J8
DDR_101	J9
DDR_102	K0
DDR_103	K1
DDR_104	K2
DDR_105	K3
DDR_106	K4
DDR_107	K5
DDR_108	K6
DDR_109	K7
DDR_110	K8
DDR_111	K9
DDR_112	L0
DDR_113	L1
DDR_114	L2
DDR_115	L3
DDR_116	L4
DDR_117	L5
DDR_118	L6
DDR_119	L7
DDR_120	L8
DDR_121	L9
DDR_122	M0
DDR_123	M1
DDR_124	M2
DDR_125	M3
DDR_126	M4
DDR_127	M5
DDR_128	M6
DDR_129	M7
DDR_130	M8
DDR_131	M9
DDR_132	N0
DDR_133	N1
DDR_134	N2
DDR_135	N3
DDR_136	N4
DDR_137	N5
DDR_138	N6
DDR_139	N7
DDR_140	N8
DDR_141	N9
DDR_142	O0
DDR_143	O1
DDR_144	O2
DDR_145	O3
DDR_146	O4
DDR_147	O5
DDR_148	O6
DDR_149	O7
DDR_150	O8
DDR_151	O9
DDR_152	P0
DDR_153	P1
DDR_154	P2
DDR_155	P3
DDR_156	P4
DDR_157	P5
DDR_158	P6
DDR_159	P7
DDR_160	P8
DDR_161	P9
DDR_162	Q0
DDR_163	Q1
DDR_164	Q2
DDR_165	Q3
DDR_166	Q4
DDR_167	Q5
DDR_168	Q6
DDR_169	Q7
DDR_170	Q8
DDR_171	Q9
DDR_172	R0
DDR_173	R1
DDR_174	R2
DDR_175	R3
DDR_176	R4
DDR_177	R5
DDR_178	R6
DDR_179	R7
DDR_180	R8
DDR_181	R9
DDR_182	S0
DDR_183	S1
DDR_184	S2
DDR_185	S3
DDR_186	S4
DDR_187	S5
DDR_188	S6
DDR_189	S7
DDR_190	S8
DDR_191	S9
DDR_192	T0
DDR_193	T1
DDR_194	T2
DDR_195	T3
DDR_196	T4
DDR_197	T5
DDR_198	T6
DDR_199	T7
DDR_200	T8
DDR_201	T9
DDR_202	U0
DDR_203	U1
DDR_204	U2
DDR_205	U3
DDR_206	U4
DDR_207	U5
DDR_208	U6
DDR_209	U7
DDR_210	U8
DDR_211	U9
DDR_212	V0
DDR_213	V1
DDR_214	V2
DDR_215	V3
DDR_216	V4
DDR_217	V5
DDR_218	V6
DDR_219	V7
DDR_220	V8
DDR_221	V9
DDR_222	W0
DDR_223	W1
DDR_224	W2
DDR_225	W3
DDR_226	W4
DDR_227	W5
DDR_228	W6
DDR_229	W7
DDR_230	W8
DDR_231	W9
DDR_232	X0
DDR_233	X1
DDR_234	X2
DDR_235	X3
DDR_236	X4
DDR_237	X5
DDR_238	X6
DDR_239	X7
DDR_240	X8
DDR_241	X9
DDR_242	Y0
DDR_243	Y1
DDR_244	Y2
DDR_245	Y3
DDR_246	Y4
DDR_247	Y5
DDR_248	Y6
DDR_249	Y7
DDR_250	Y8
DDR_251	Y9
DDR_252	Z0
DDR_253	Z1
DDR_254	Z2
DDR_255	Z3

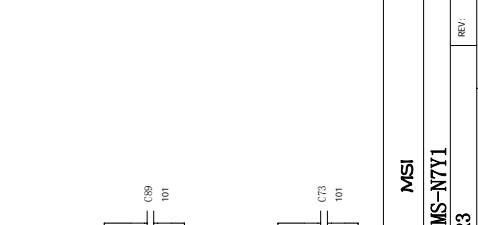
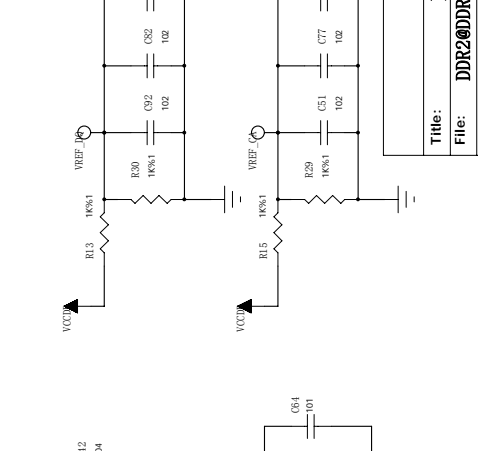
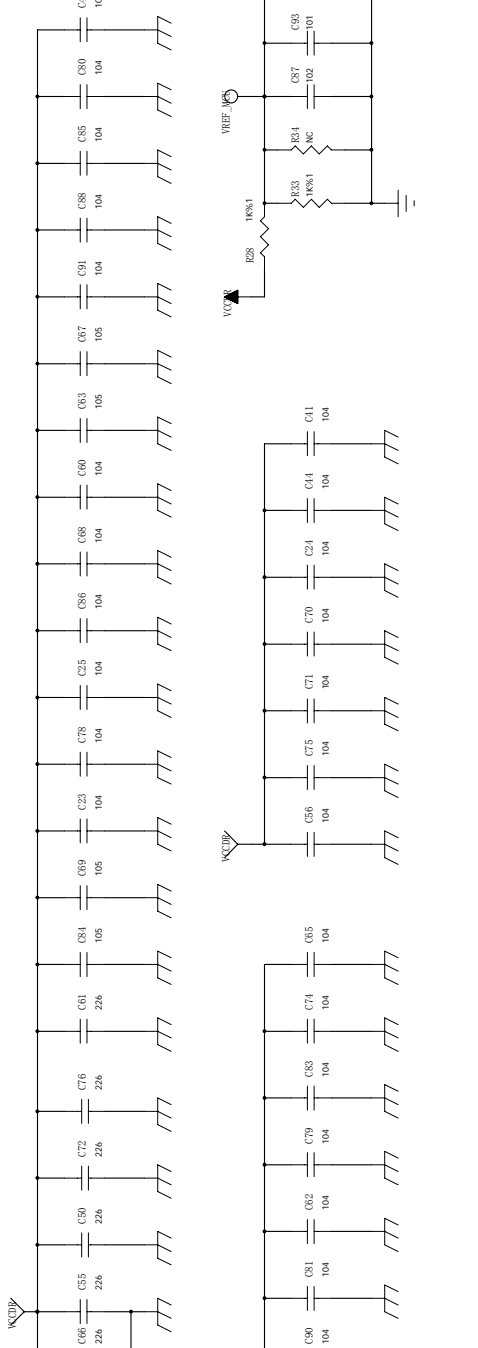


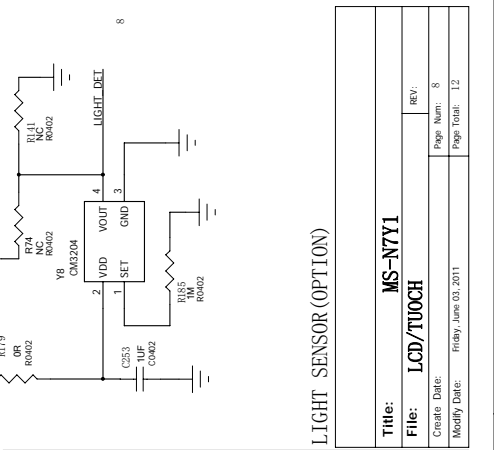
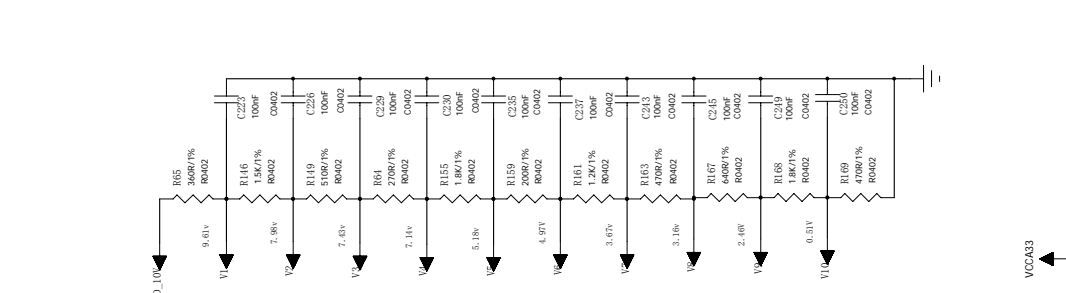
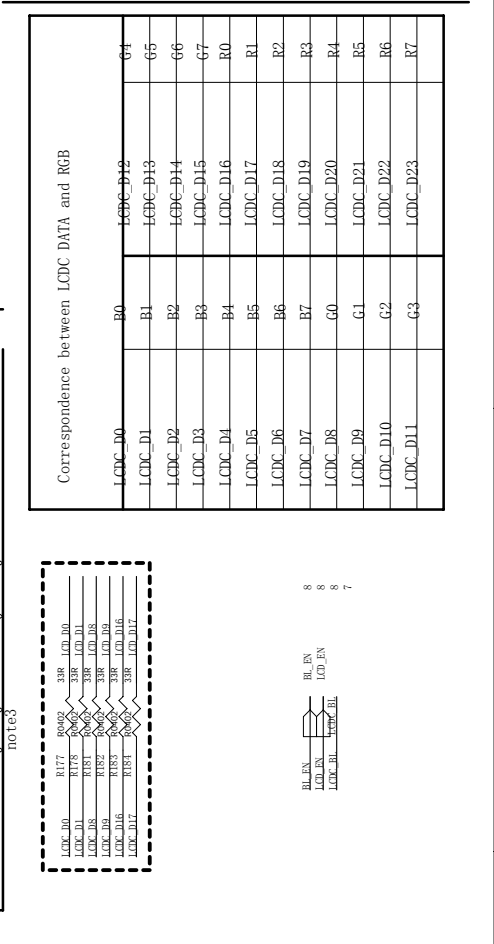
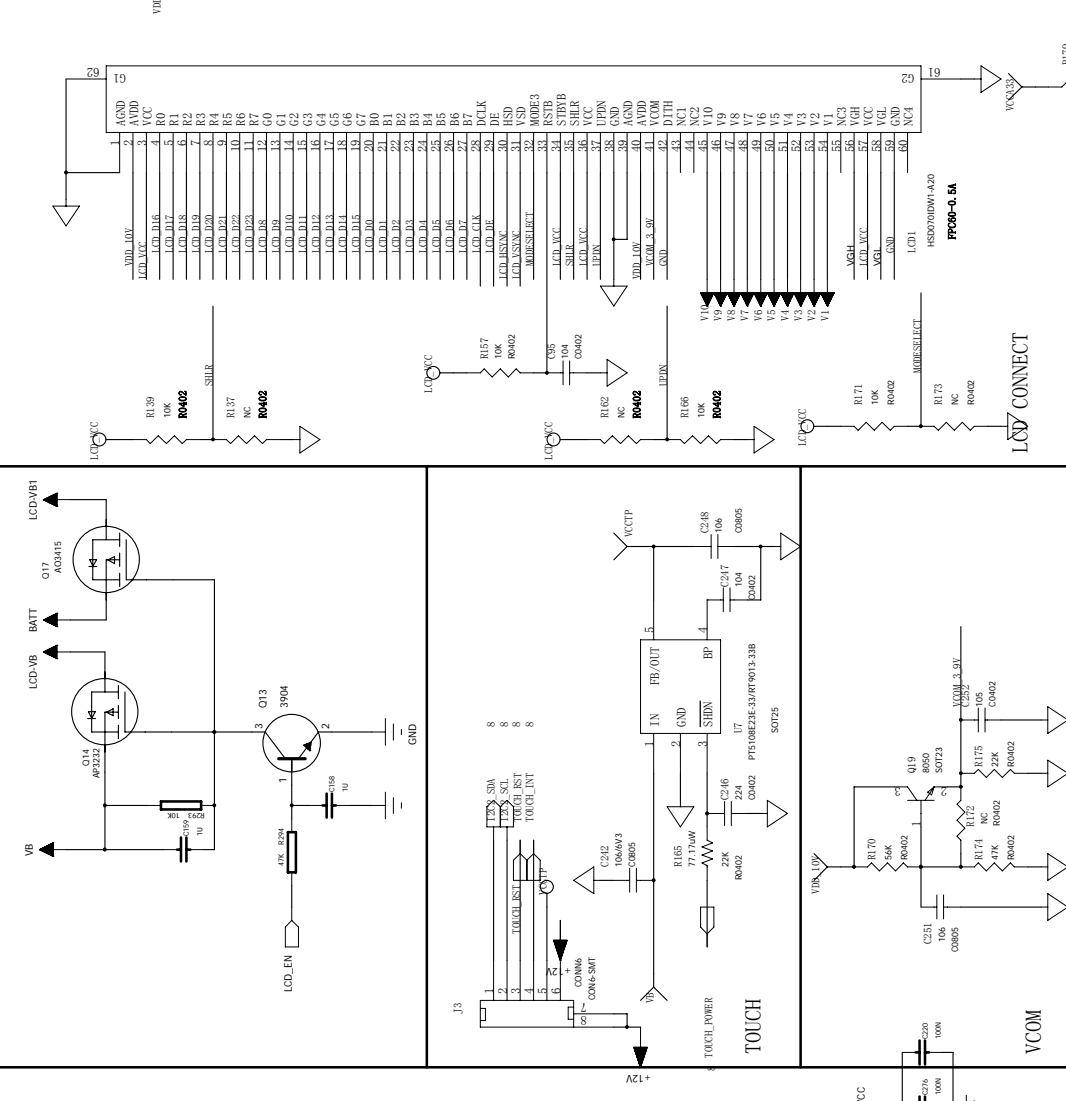
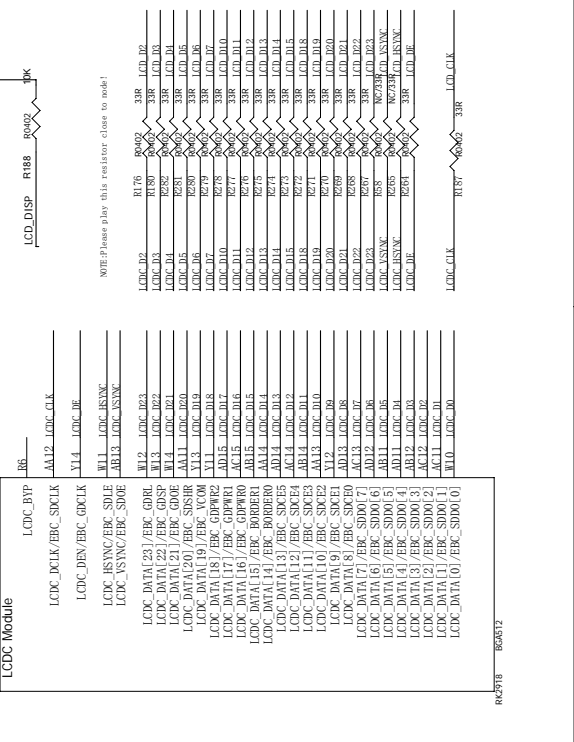
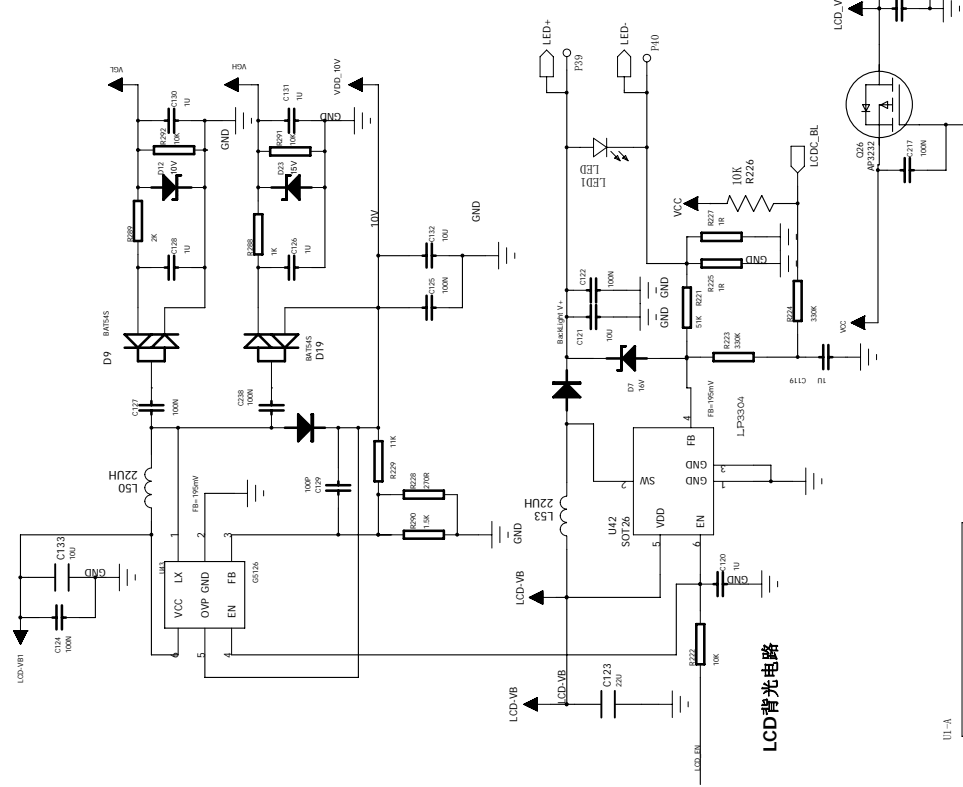
RR2918-L

UI-L
R42918
R04912

MSI
Title: MS-N7Y1
File: DDR2@DDR3
Create Date:
Modify Date: Thursday, June 02, 2011
Page Num: 6
Page Total: 12

Notes:
These termination resistors must be placed
in the middle of trace, and the termination
resistors must be placed in the
direction of port.





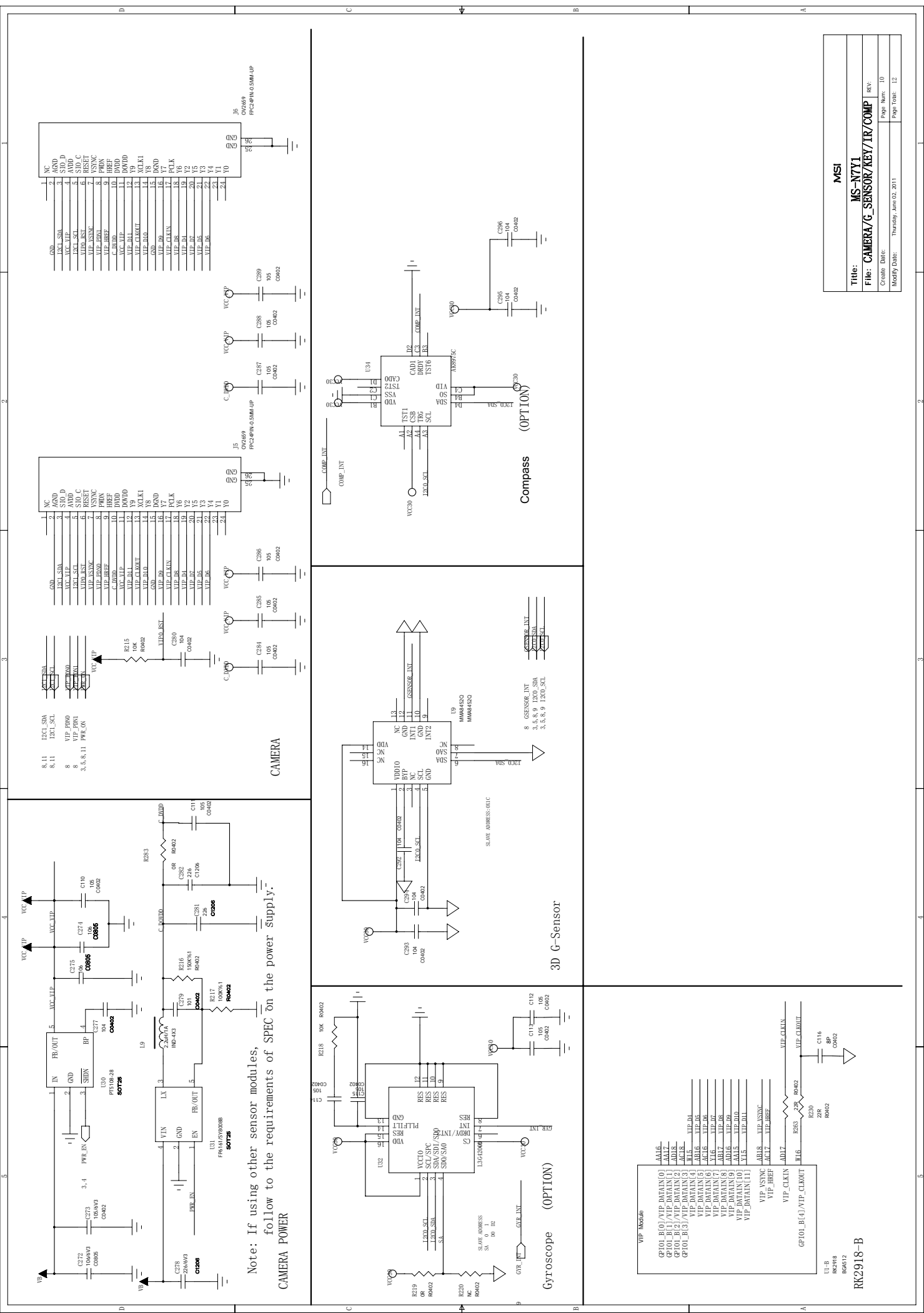
Title: MS-N7V1

File: LCD/TUOCH

Create Date: Friday, June 03, 2011

Page Num: 8

Page Total: 12



1	VC
2	NSD
3	SIO_D
4	ADD
5	SIO_C
6	NSVC
7	PHN
8	HRF
9	HRF
10	HRF
11	HRF
12	HRF
13	HRF
14	HRF
15	HRF
16	HRF
17	HRF
18	HRF
19	HRF
20	HRF
21	HRF
22	HRF
23	HRF
24	HRF
25	HRF
26	HRF
27	HRF
28	HRF
29	HRF
30	HRF
31	HRF
32	HRF
33	HRF
34	HRF
35	HRF
36	HRF
37	HRF
38	HRF
39	HRF
40	HRF
41	HRF
42	HRF
43	HRF
44	HRF
45	HRF
46	HRF
47	HRF
48	HRF
49	HRF
50	HRF
51	HRF
52	HRF
53	HRF
54	HRF
55	HRF
56	HRF
57	HRF
58	HRF
59	HRF
60	HRF
61	HRF
62	HRF
63	HRF
64	HRF
65	HRF
66	HRF
67	HRF
68	HRF
69	HRF
70	HRF
71	HRF
72	HRF
73	HRF
74	HRF
75	HRF
76	HRF
77	HRF
78	HRF
79	HRF
80	HRF
81	HRF
82	HRF
83	HRF
84	HRF
85	HRF
86	HRF
87	HRF
88	HRF
89	HRF
90	HRF
91	HRF
92	HRF
93	HRF
94	HRF
95	HRF
96	HRF
97	HRF
98	HRF
99	HRF
100	HRF

Note: If using other sensor modules, follow to the requirements of SPEC on the power supply.

CAMERA

3D G-Sensor

Gyroscope (OPTION)

Compass (OPTION)

VIP Module

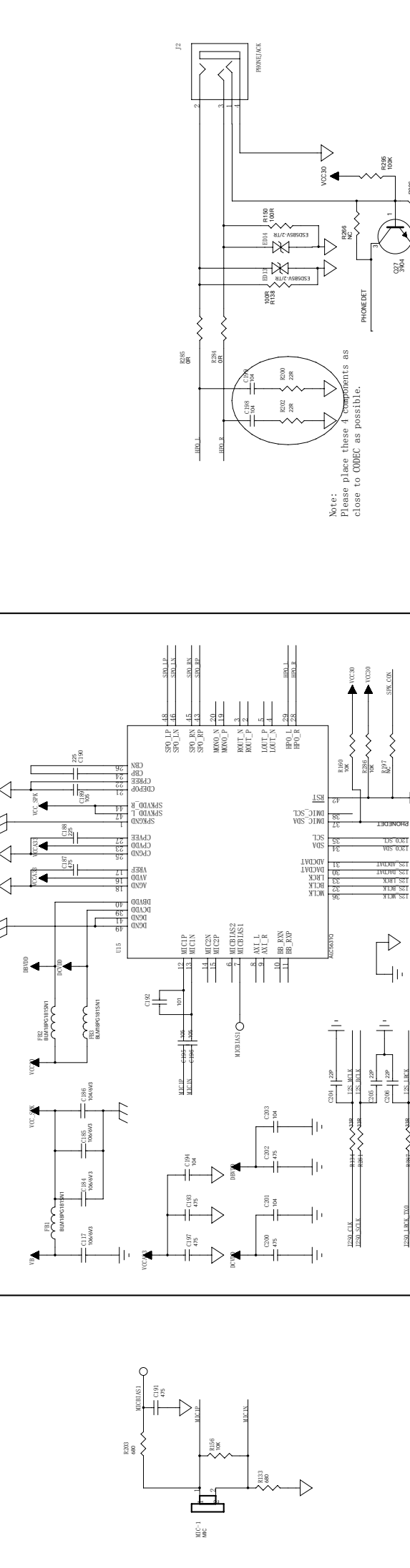
GP10L_E10/VIP_DATAIN(0)	AA16
GP10L_E11/VIP_DATAIN(1)	AA17
GP10L_E12/VIP_DATAIN(2)	AA18
GP10L_E13/VIP_DATAIN(3)	AA19
VIP_DATAIN(4)	AB16
VIP_DATAIN(5)	AC16
VIP_DATAIN(6)	AD16
VIP_DATAIN(7)	AE16
VIP_DATAIN(8)	AF16
VIP_DATAIN(9)	AG16
VIP_DATAIN(10)	AH16
VIP_DATAIN(11)	AI16
VIP_WSNC	AB18
VIP_HREF	AC17
VIP_CLKIN	AB17
GP10L_E14/VIP_CLKOUT	BI16

U1-B
RK2918
RGAA12

MSI

Title:	MS-N7Y1
File:	CAMERA/G_SENSOR/KEY/IR/COMP
Create Date:	Page Num: 10
Modify Date:	Page Total: 12

RK2918-B



HEADPHONE

