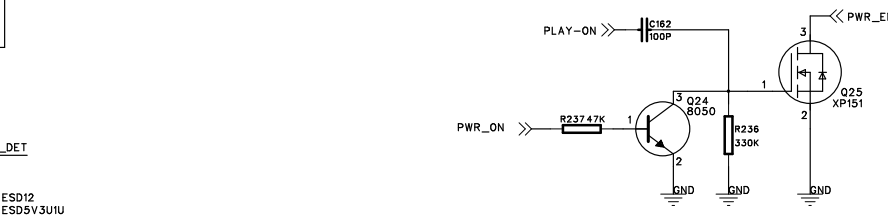
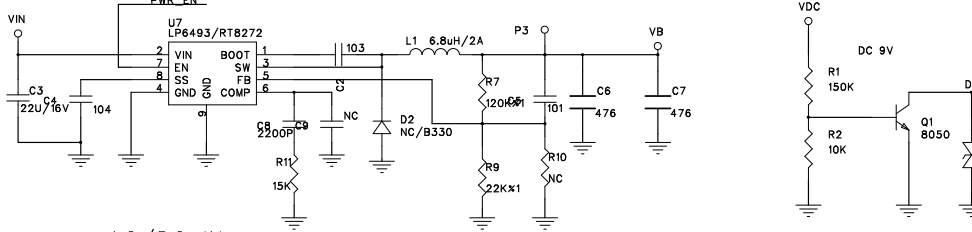
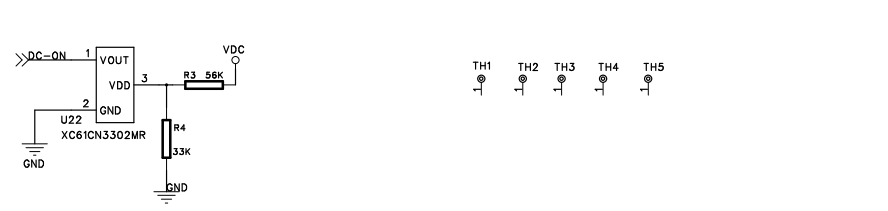
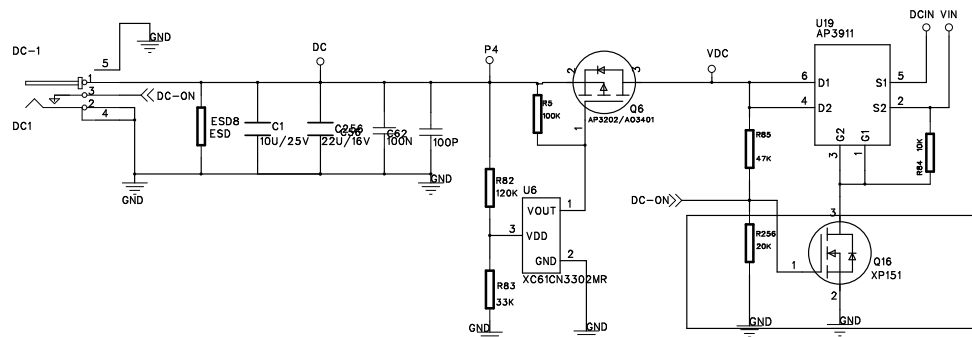


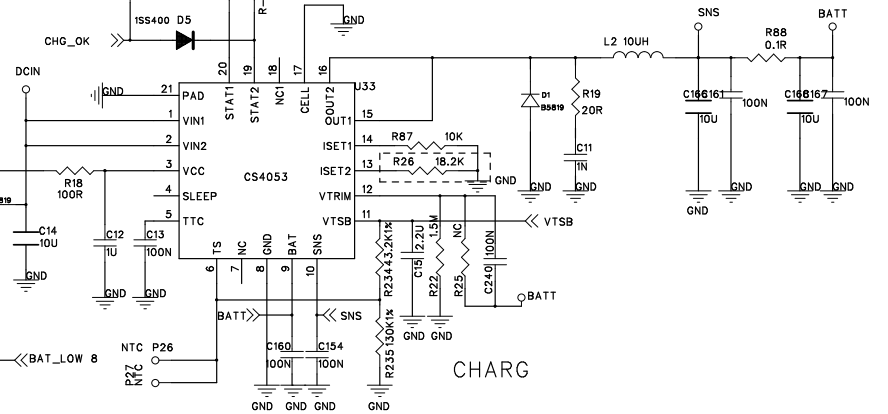
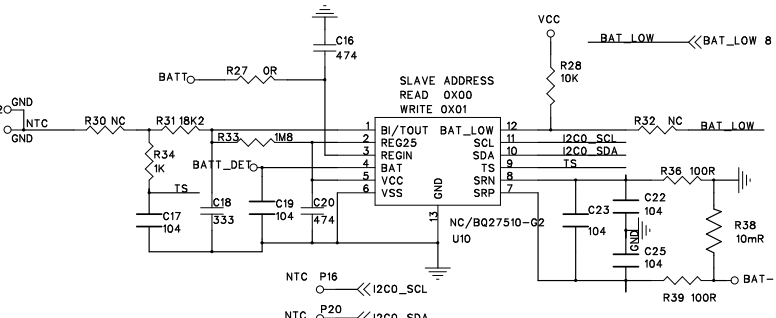
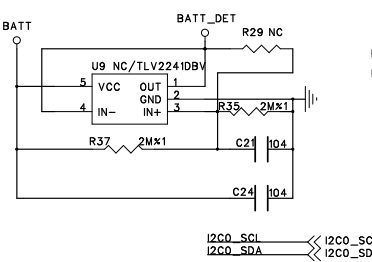
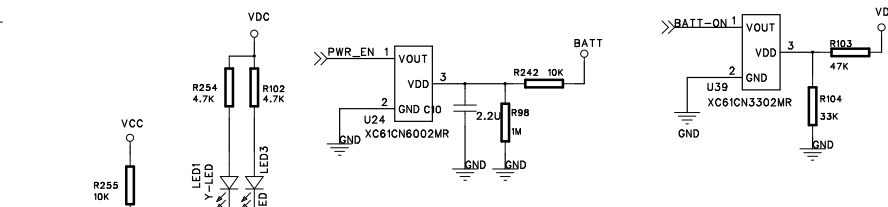
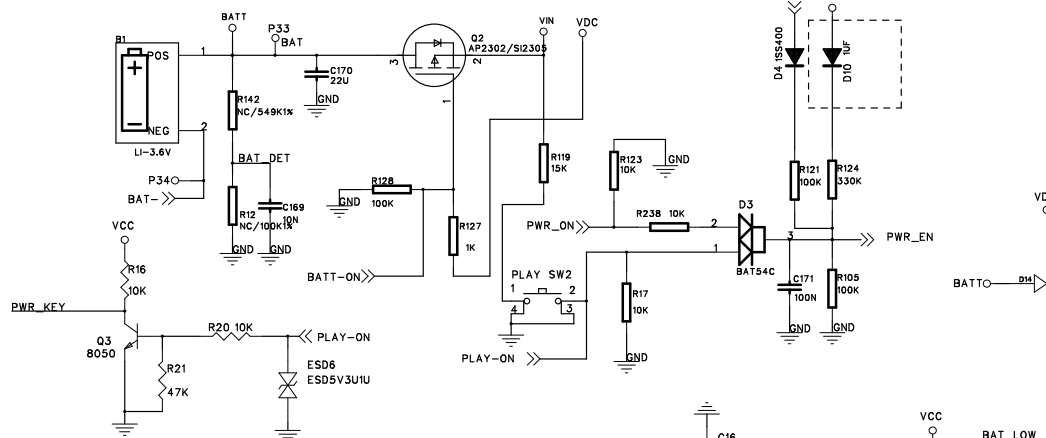
Version	Date	Author	Change Note	Approved
V1.0	20101207	HCH	First edictor	
V1.1	20110516	BrookWang	1) Change U45:AK8973 to AK8975 (BGA-package) 2) Power sequence circuit change include HDMI etc. 3) Camera circuit: connect a resistor R40[10R] in series with NET[VIP_CLKIN]. 4) DC circuit: add a decoupling capacitor R256[22uF/16V] to reduce power ripple.	Luoxh
V1.2	20110622	BrookWang	1) Change LED TP_VCC NET conection to VB. 2) [DCN] Change component Q16(3904) type with XP151 PMOS,and add a pull-down resitance R256(20K) with GND, to make sure AP3911 to be fully off 3) [DCN] Change component C199 C201 C272 PCB decal with C0603 to ensure real value 4) [DCN] Change component D10(1SS400) with CAP 1uF	Luoxh

- 1.I2C0 IC
- 2.I2C1 IO
- 3.UART1
- 4.IO
- 5.GP#0 RK2900 IO

Title: MSI1003HC	
File: Modify note	REV: 1.2
Create Date:	Page Num:
Modify Date: Wednesday, June 22, 2011	Page Total:



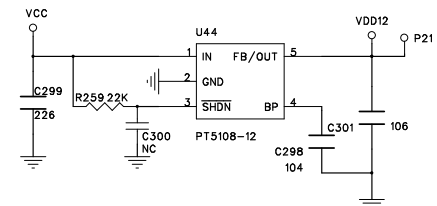
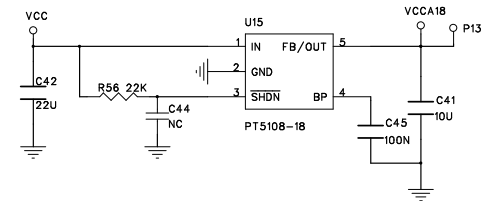
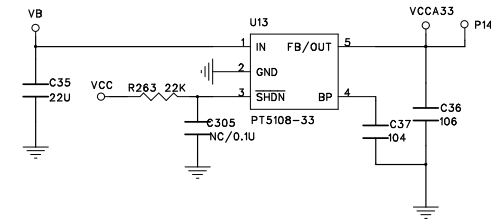
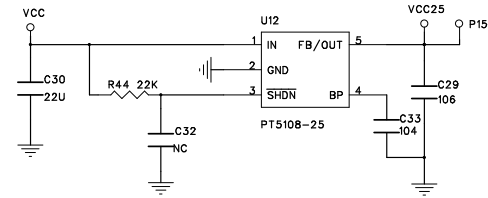
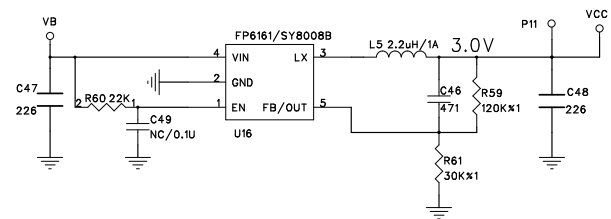
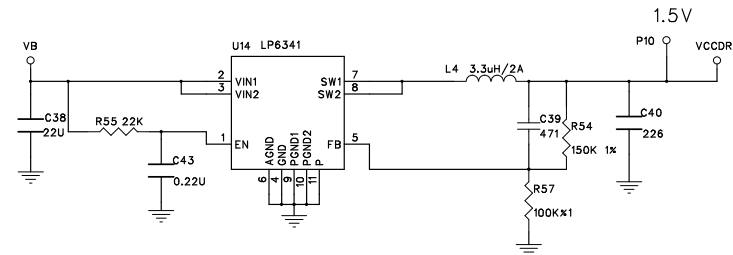
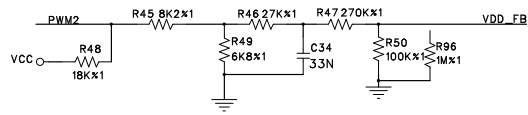
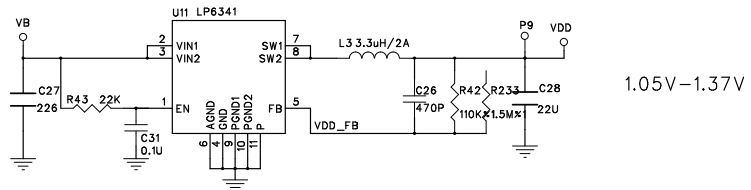
AC/DC IN



CHARGE

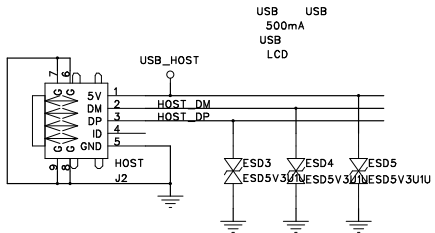
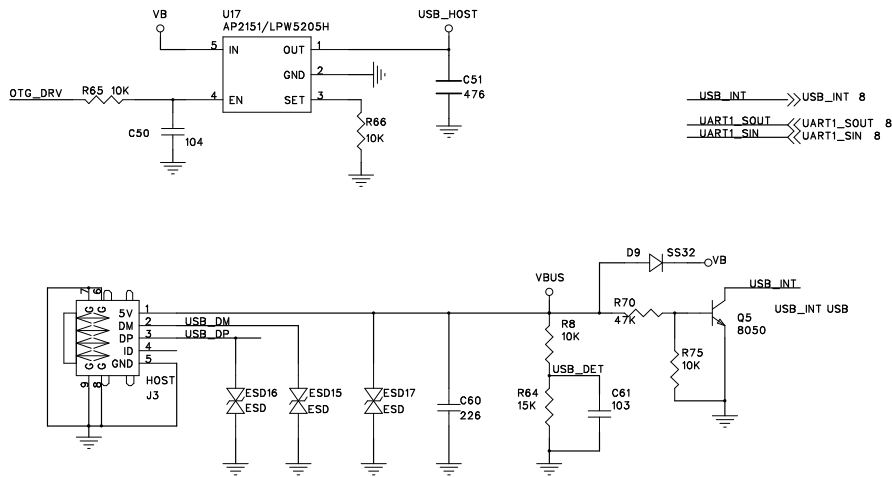
BATTER DET

Title: MS1003HC	
File: AC/CHARGE	REV:1.2
Create Date:	Page Num: 3
Modify Date: Wednesday, June 22, 2011	Page Total: 14

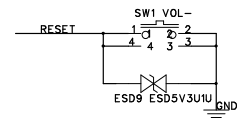
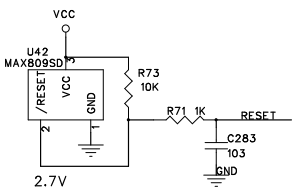


SYSTEM POWER

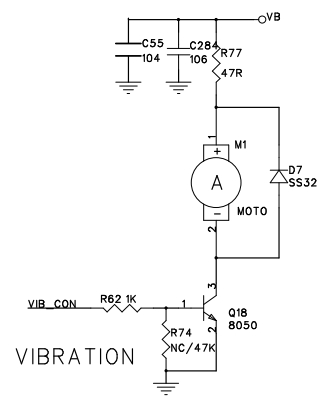
Title: MSI1003HC	
File: SYSTEM POWER	REV: 1.2
Create Date:	Page Num#
Modify Date@Wednesday, June 22, 2011	Page Total#



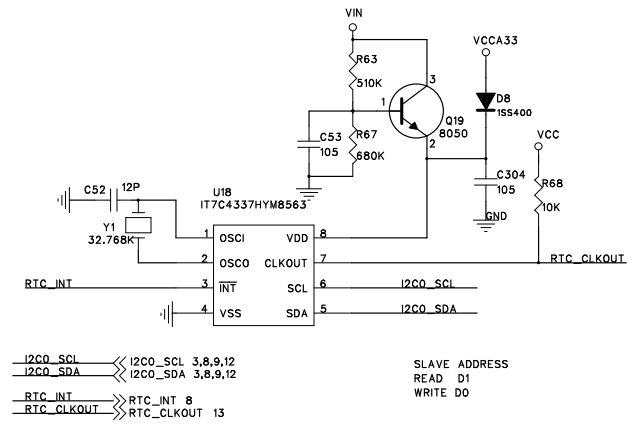
USB&HOST



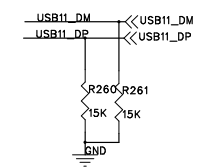
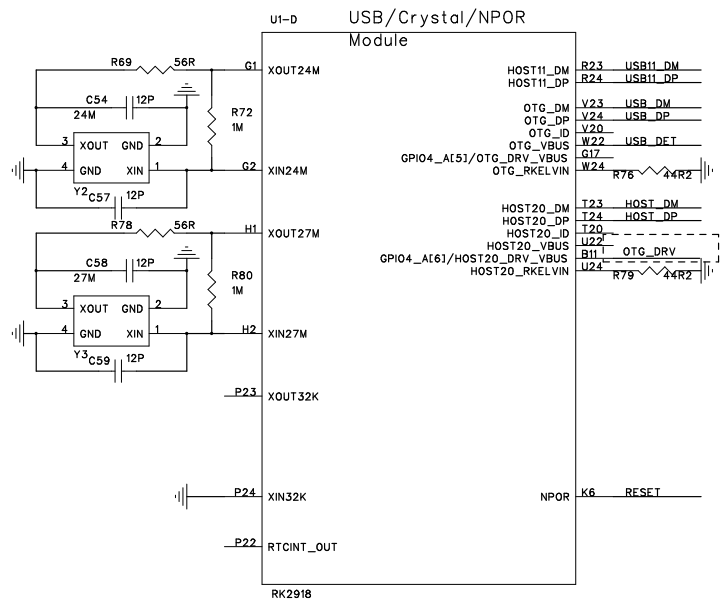
RESET



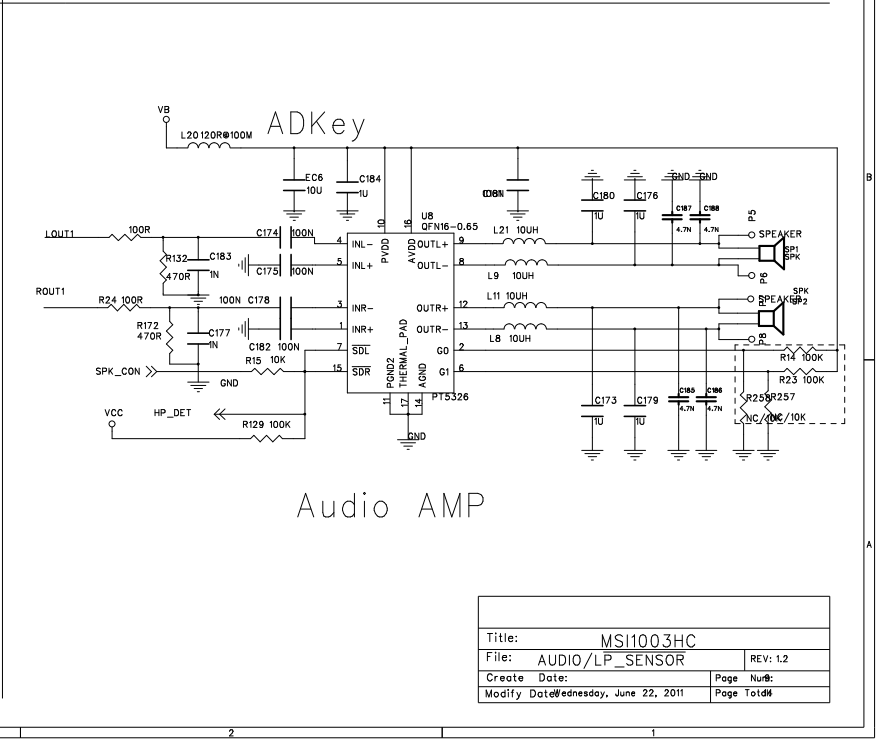
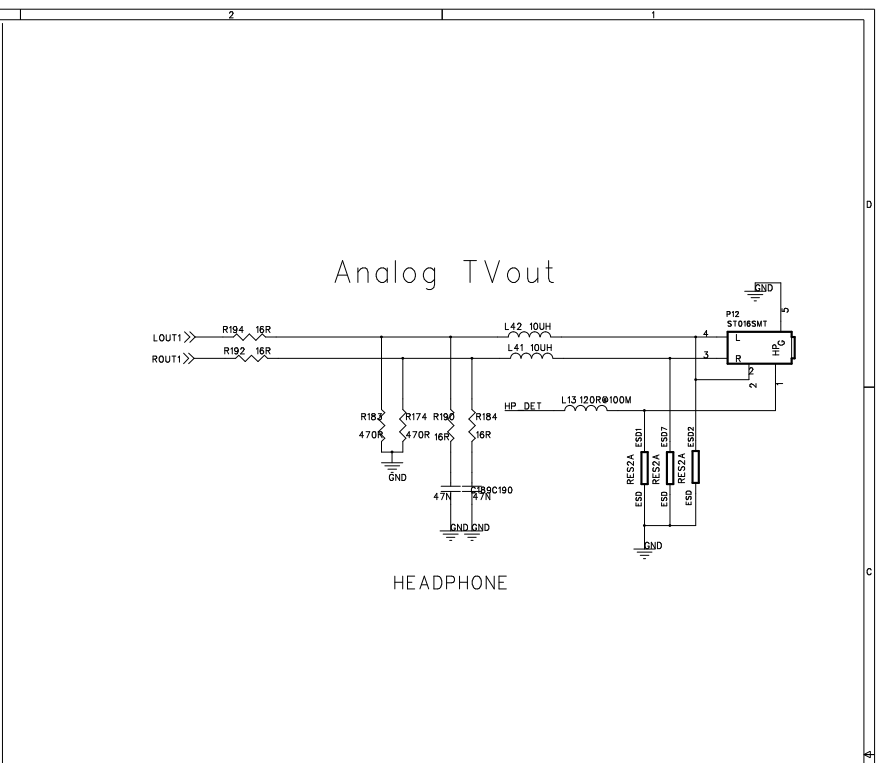
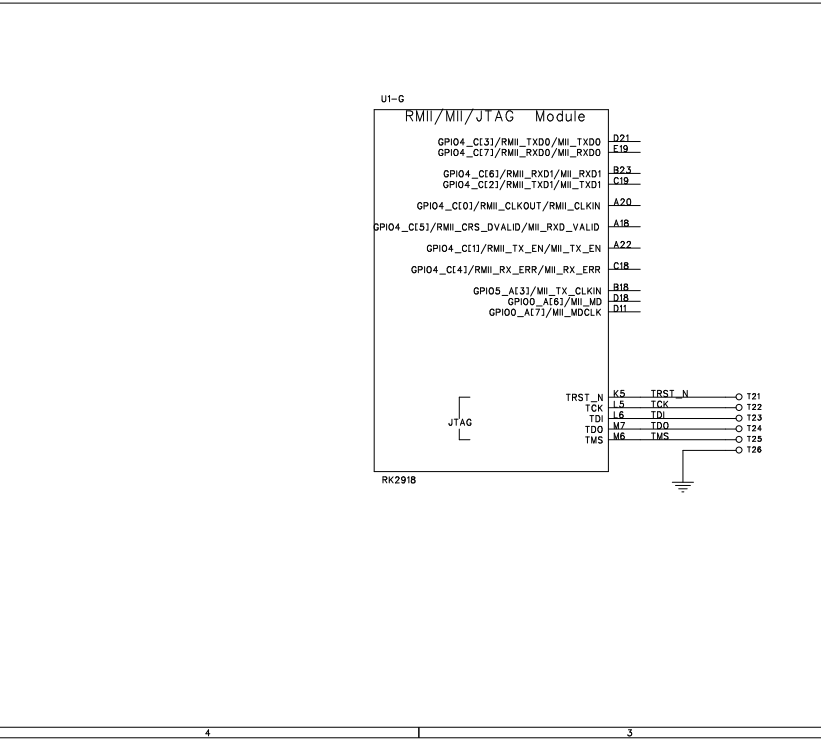
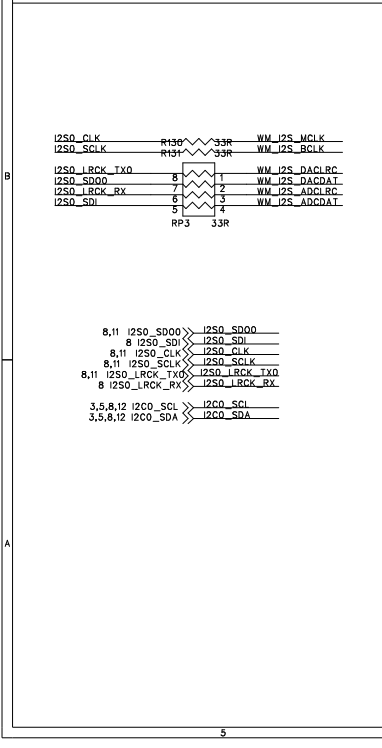
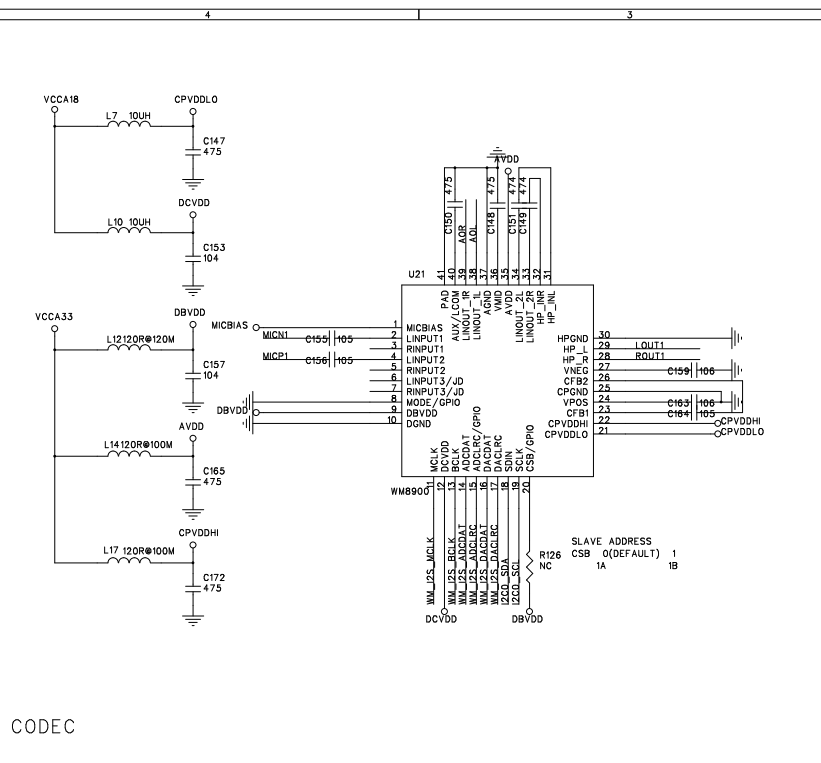
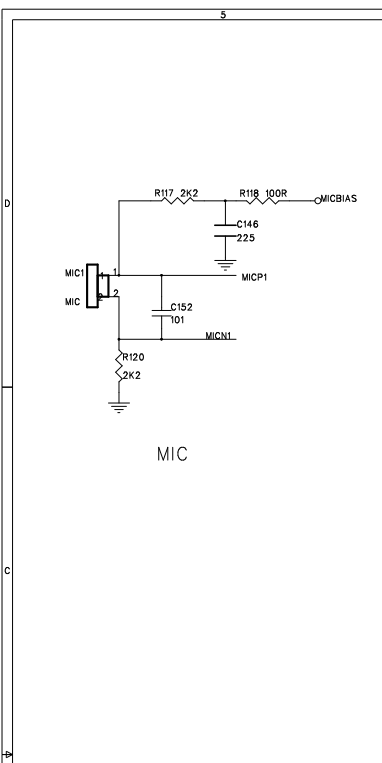
VIBRATION



RTC

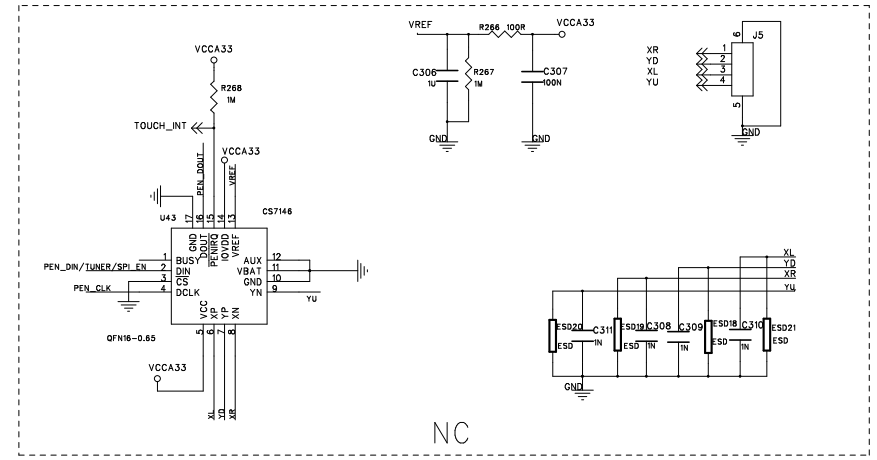
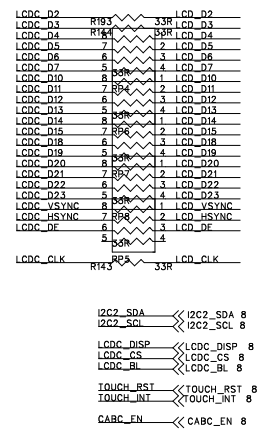
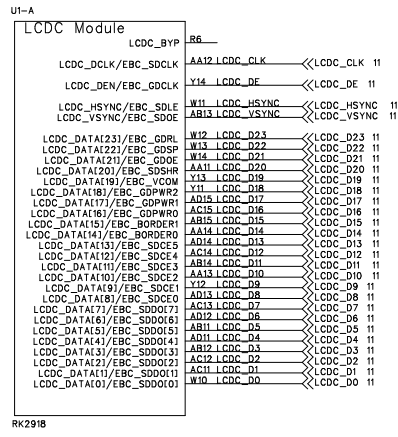
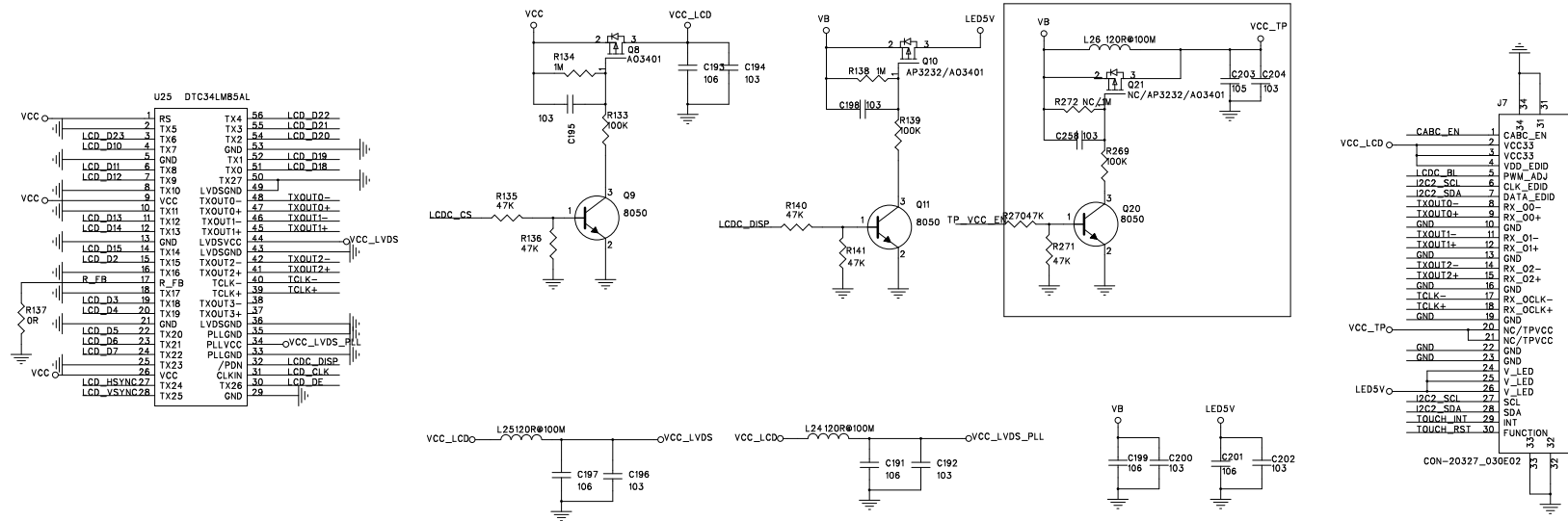


Title: MS1003HC	
File: USB_HOST/RTC/VIB	REV: 1.2
Create Date:	Page Num:
Modify Date@Wednesday, June 22, 2011	Page Totd#

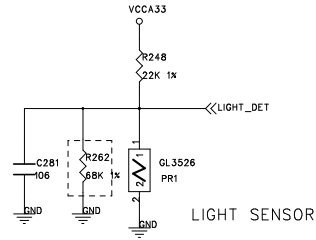


Title:	MS1003HC		
File:	AUDIO/LP_SENSOR	REV:	1.2
Create Date:		Page No.:	
Modify Date:	wednesday, June 22, 2011	Page Totl:	

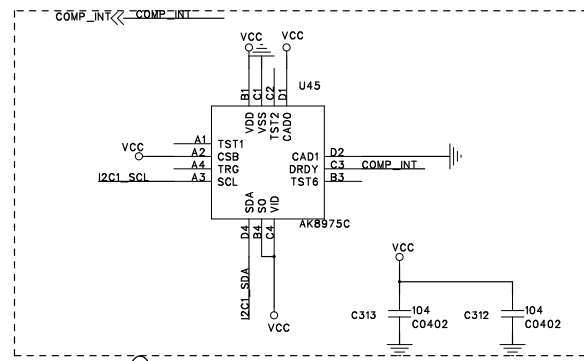
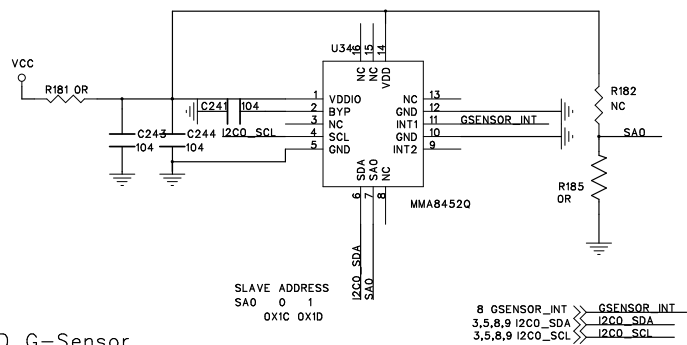
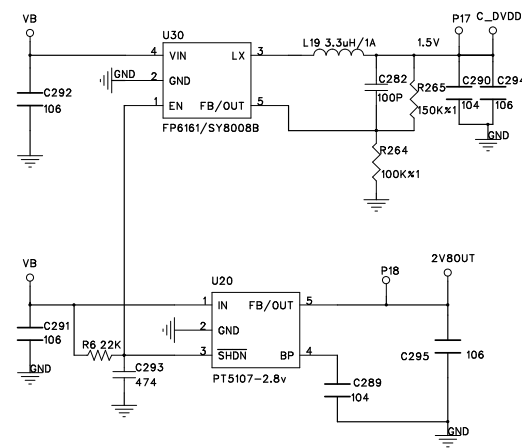
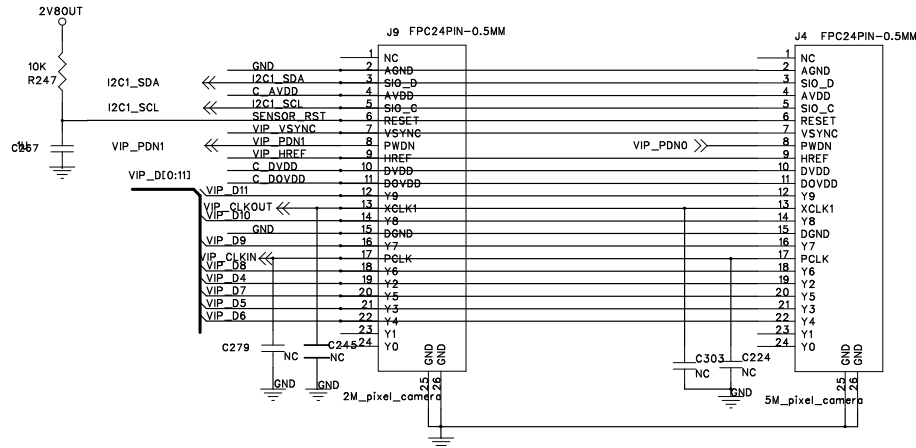
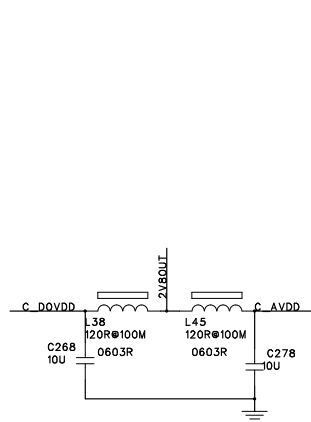
[DCN] VCC_TP , TP_VCC 5V



LCD CONNECTOR

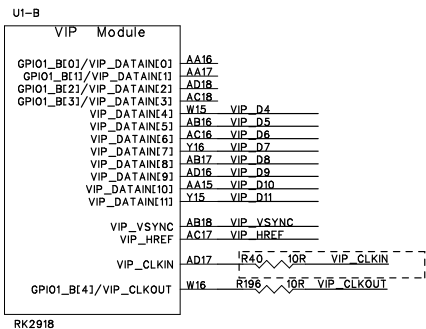


Title:	MS1003HC	
File:	LCD	REV:1.2
Create Date:		Page Num
Modify Date: Wednesday, June 22, 2011		Page Total

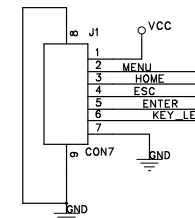
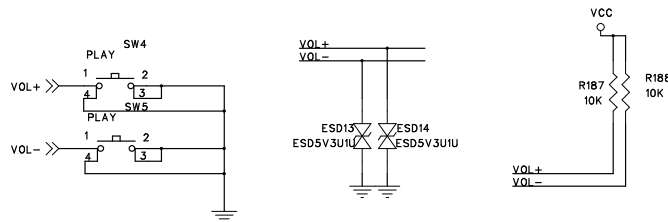


3D G-Sensor

Compass

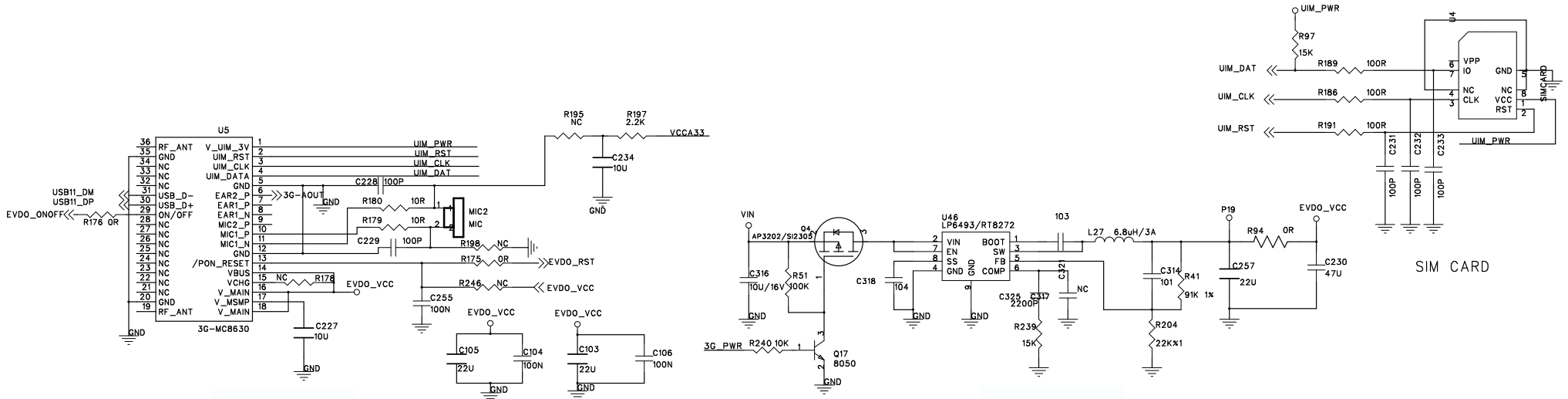


C245

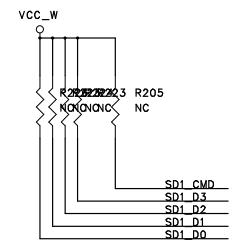


KEY BAORD

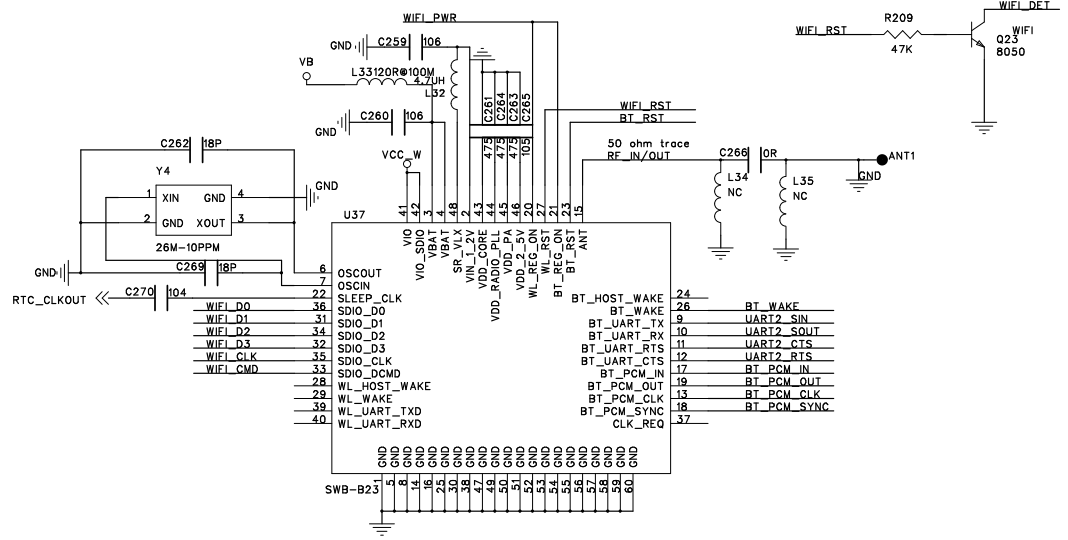
Title: MSI1003HC	
File: CAMERA/G_SENSOR/KEY/IR	REV:1:2
Create Date:	Page Num42
Modify Date@ednesday, June 22, 2011	Page Tot42



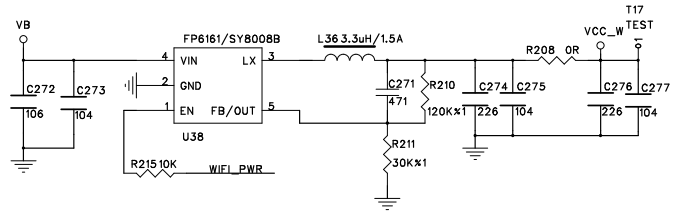
- 8 BT_WAKE << BT_WAKE
 - 8 UART2_SOUT << UART2_SOUT
 - 8 UART2_SIN << UART2_SIN
 - 8 UART2_CTS << UART2_CTS
 - 8 UART2_RTS << UART2_RTS
 - 8 BT_RS << BT_RST
-
- 5 USB1_DM << USB1_DM
 - 5 USB1_DP << USB1_DP
 - 8 3G_PWR << 3G_PWR
-
- 8 WIFI_DET << WIFI_DET
 - 5 RTC_CLKOUT << RTC_CLKOUT
 - 8 WIFI_RST << WIFI_RST
 - 7 WIFI_PWR << WIFI_PWR



- 7 SD1_D0 << SD1_D0 R222 <<> 33R <<> WIFI_D0
- 7 SD1_D1 << SD1_D1 R222 <<> 33R <<> WIFI_D1
- 7 SD1_D2 << SD1_D2 R221 <<> 33R <<> WIFI_D2
- 7 SD1_D3 << SD1_D3 R220 <<> 33R <<> WIFI_D3
- 7 SD1_CMD << SD1_CMD R219 <<> 33R <<> WIFI_CMD
- 7 SD1_CLK << SD1_CLK R207 <<> 33R <<> WIFI_CLK

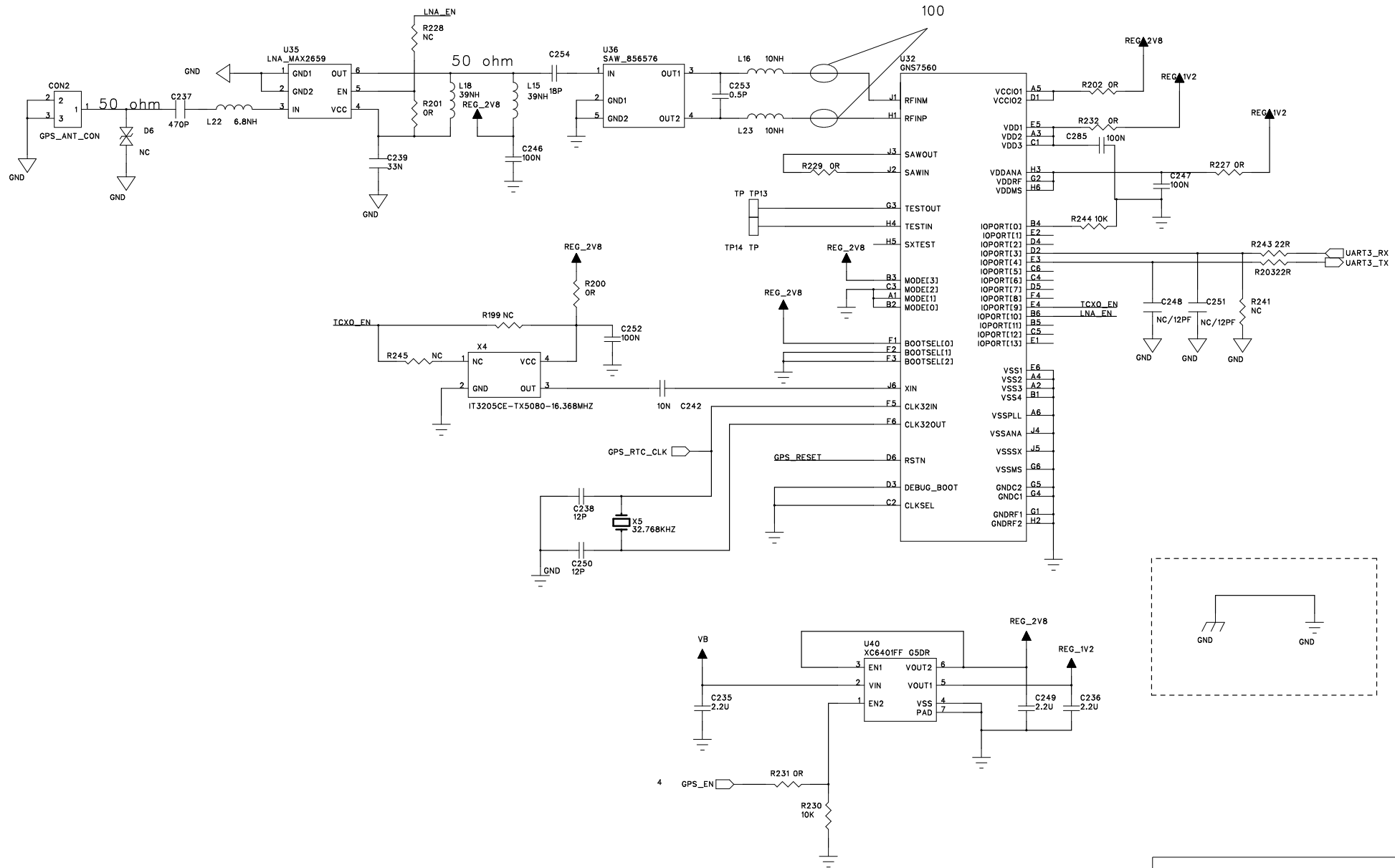


- BT_PCM_IN << R212 <<> 33R <<> I2S1_SDO <<> I2S1_SDO
- BT_PCM_OUT << R212 <<> 33R <<> I2S1_SDI <<> I2S1_SDI
- BT_PCM_CLK << R213 <<> 33R <<> I2S1_SCLK <<> I2S1_SCLK
- BT_PCM_SYNC << R214 <<> 33R <<> I2S1_MCLK <<> I2S1_MCLK
- BT_PCM_SYNC << R216 <<> NC <<> I2S1_LRCK_RX <<> I2S1_LRCK_RX
- BT_PCM_SYNC << R217 <<> 33R <<> I2S1_LRCK_TX <<> I2S1_LRCK_TX
- BT_PCM_SYNC << R218 <<> NC <<> I2S1_LRCK_TX <<> I2S1_LRCK_TX



Title: MSI1003HC	
File: 3G/WIFI	REV: 1.2
Create Date:	Page Num33
Modify Date: Wednesday, June 22, 2011	Page Total4

WIFI+BT



Title: MS11003HC	
File: GPS module	REV: 1.2
Create Date:	Page Num#4
Modify Date@Wednesday, June 22, 2011	Page Tot#4