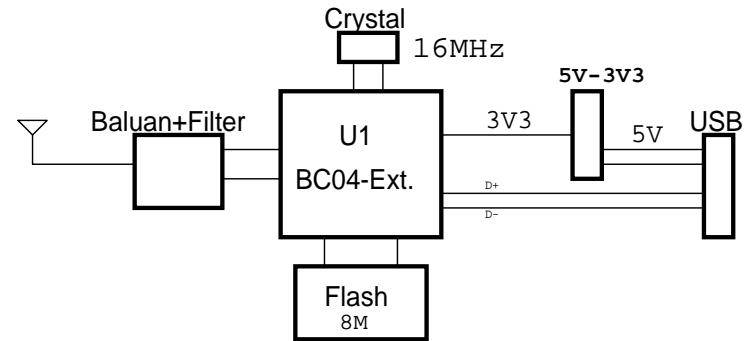


MS-6870A Bluetooth USB Dongle Schematic

| Title | page |
|-------------------------------|------|
| Cover Sheet | 1 |
| LED, Regulator, USB Connector | 2 |
| BlueCore4-External | 3 |
| History | 4 |



Stacks

- L1 1/2 oz copper
- L1~L2 2.5mil FR4
- L2 1/2 oz copper
- L2~L3 20mil core
- L3 1/2 oz copper
- L3~L4 2.5mil FR4
- L4 1/2 oz copper



Micro-Star International Co., LTD.

Cover Sheet

| | | |
|--------|---------------------------|--------------|
| Size B | Document Number | Rev 00A |
| | MS6870A | |
| Date: | Tuesday, January 18, 2005 | Sheet 1 of 4 |