



MSI
MICRO-STAR INTERNATIONAL

MS-6874 User Manual

- **Access Point (AP) * 1**
- **PC*1 With Win XP OS / Vista**
- **Bluetooth device(cellphone) * 1**
- **The software you have to install in PC as below**
 - Ralink Wireless LAN driver
 - IVT Bluesoleil / Toshiba Bluetooth software
 - VFD driver





- PC connect to MS-6874



- Setup Access Point on the area which MS-6874 RF reachable, and **turn on the DHCP function without encryption.**



- Turn the Bluetooth device function on, and execute the Bluetooth software.
- Pair the 2 Bluetooth devices.

MS-6874 cable

Height: 143.8 mm

Width: 36.6 mm

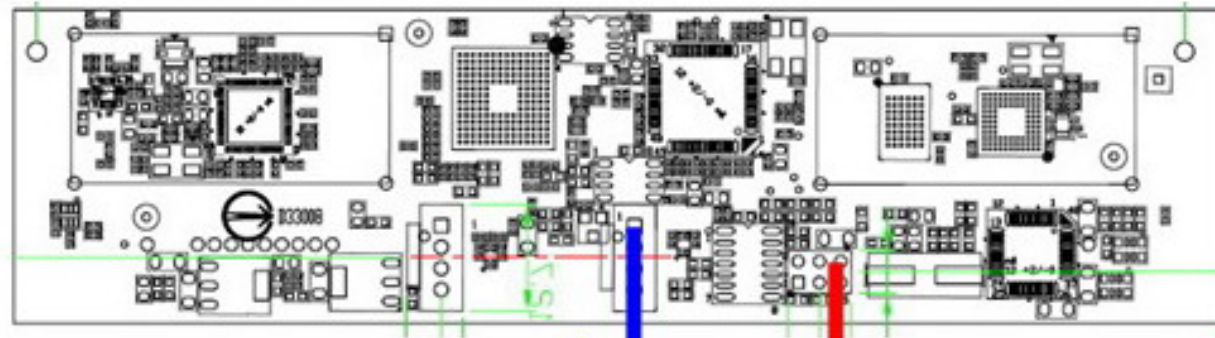
Depth: 12mm

Weight (include cables and inverter): 102.5 g

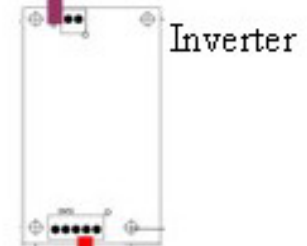
Micro-Star International Co., Ltd

Connect to power supplier

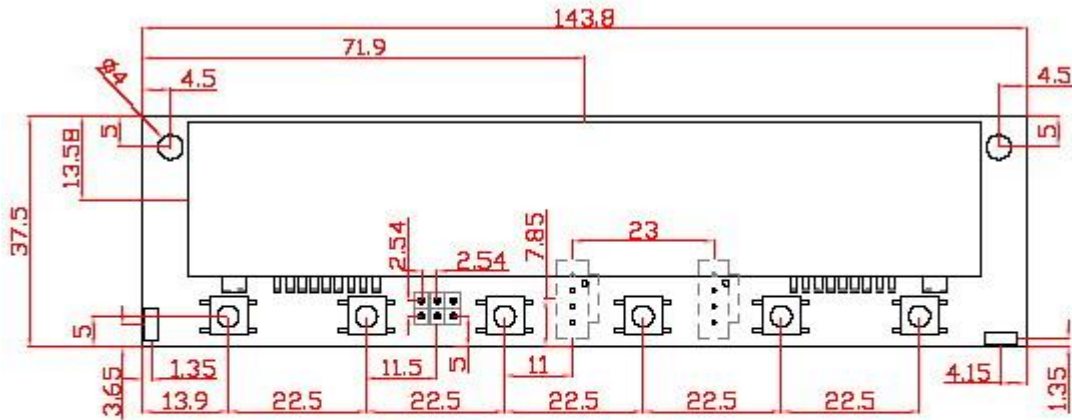
FD



**Connect to
Motherboard USB**



VFD Panel button def.





Click the button in the tray



SSID	BSSID	Sig...	C...	Encrypt...	Authent...	Network T...
default	00-0C-76-C8-C7...	34%	7	None	Unknown	Infrastruct...
BRIANPD-8869	00-40-05-26-D7...	60%	1	WEP	Unknown	Infrastruct...
Belle	00-10-DC-EA-88...	24%	1	WEP	Unknown	Infrastruct...
Steven_1842G	00-05-5D-97-69...	70%	3	None	Unknown	Infrastruct...
HP-LAB	00-17-9A-03-43...	15%	6	None	Unknown	Infrastruct...
MSICOMM	00-50-18-21-BB...	91%	6	WEP	Unknown	Infrastruct...
3504	00-11-09-BF-D7...	50%	7	WEP	Unknown	Infrastruct...
3502	00-11-09-BF-D8...	20%	7	WEP	Unknown	Infrastruct...

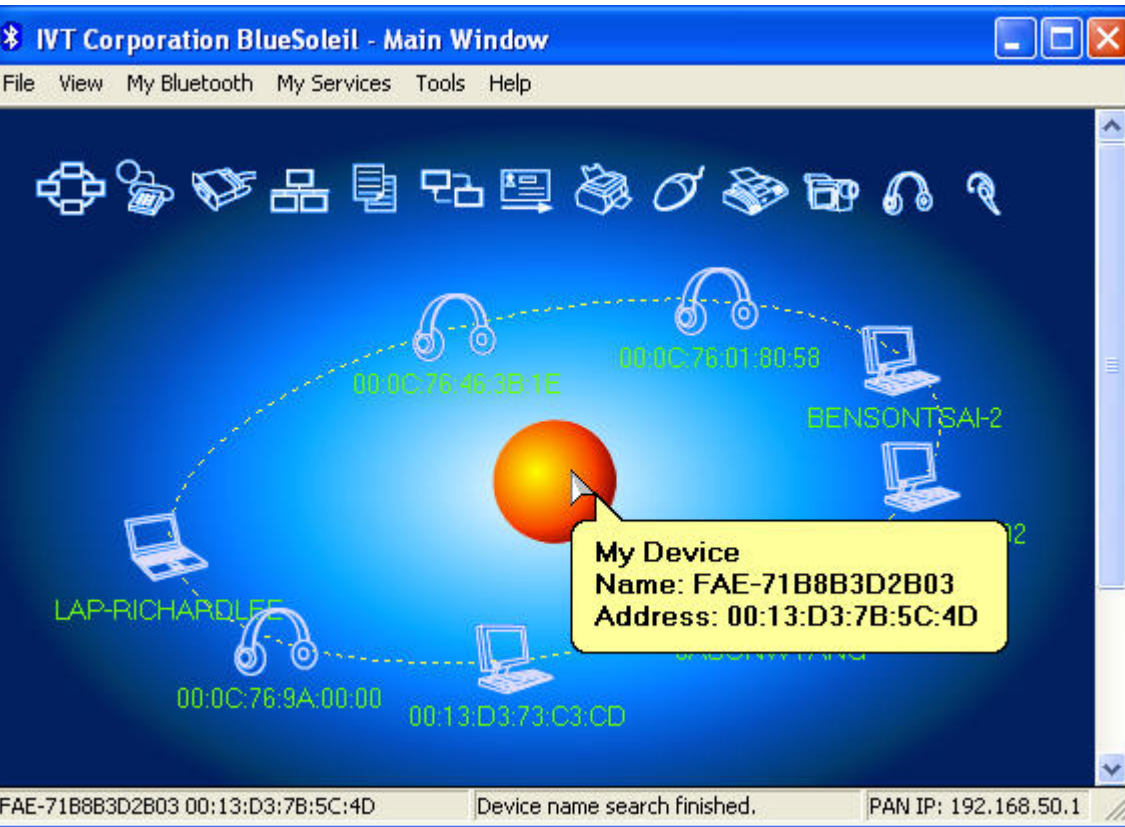
1. Search the AP in Site Survey page.

2. Click the AP you want to connect to, and click Connect button.

3. It will appear shack hand icon after you connect success.



Click the button in the tray



Click the centre ball on the windows. It will search all Bluetooth devices in the reachable area.

Double click the device you want to connect to.

FEDERAL COMMUNICATIONS COMMISSION

INTERFERENCE STATEMENT

This equipment has been tested and found to comply with the limits for a Class B digital device, pursuant to Part 15 of the FCC Rules. These limits are designed to provide reasonable protection against harmful interference in a residential installation. This equipment generates, uses and can radiate radio frequency energy and, if not installed and used in accordance with the instructions, may cause harmful interference to radio communications. However, there is no guarantee that interference will not occur in a particular installation. If this equipment does cause harmful interference to radio or television reception, which can be determined by turning the equipment off and on, the user is encouraged to try to correct the interference by one or more of the following measures:

- Reorient or relocate the receiving antenna.
- Increase the separation between the equipment and receiver.
- Connect the equipment into an outlet on a circuit different from that to which the receiver is connected.
- Consult the dealer or an experienced radio/TV technician for help.

CAUTION:

Any changes or modifications not expressly approved by the party responsible for compliance could void the user's authority to operate the equipment.

FCC RF Radiation Exposure Statement

This equipment complies with FCC RF radiation exposure limits set forth for an uncontrolled environment. This equipment must not be co-located or operating in conjunction with any other antenna or transmitter.