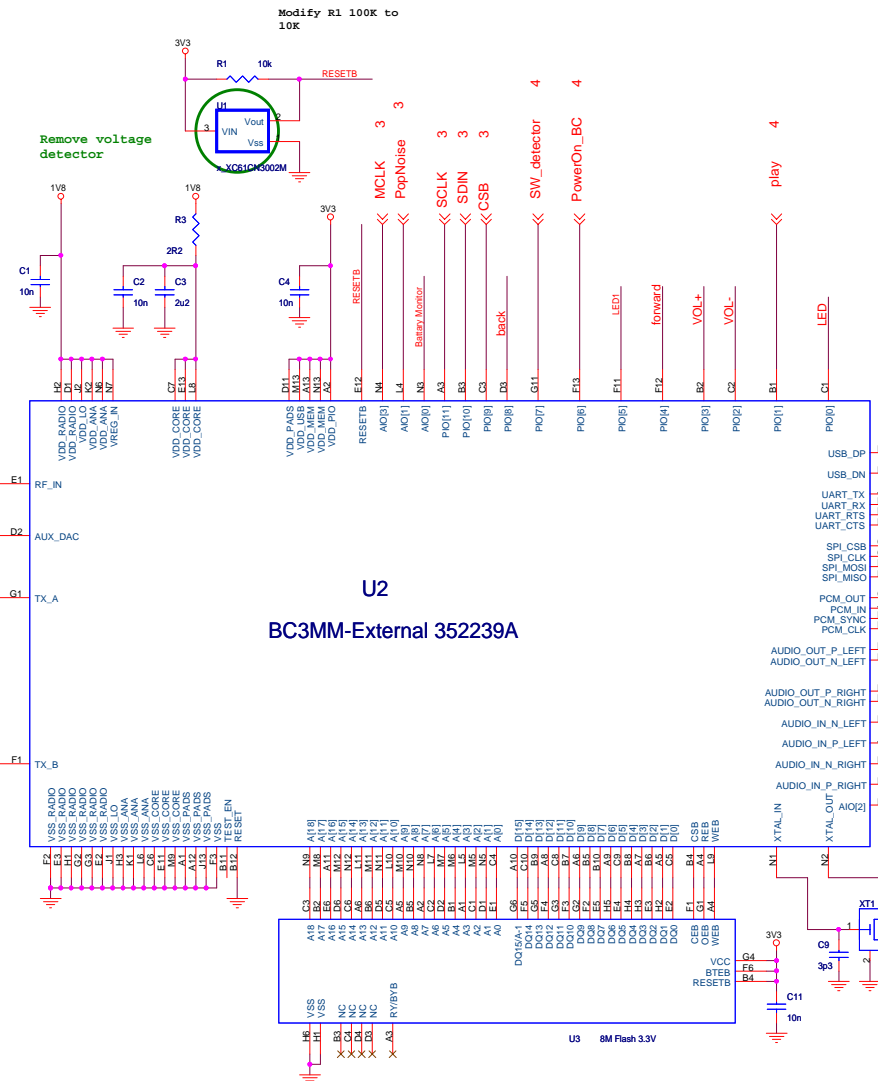
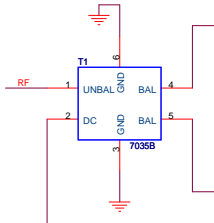
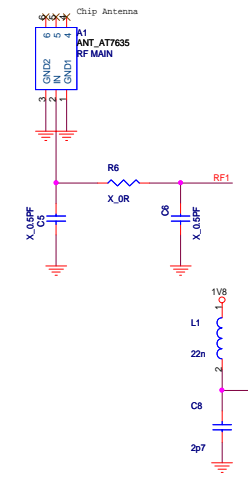
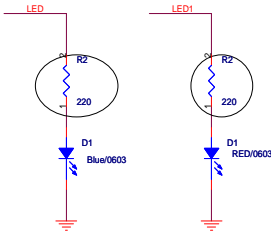


Pin	Module	Function
PIO(0)	16	LED
PIO(1)	32	Play/Pause
PIO(2)	33	VOL-
PIO(3)	34	VOL+
PIO(4)	35	Forward
PIO(5)	45	LED Control
PIO(6)	46	PowerOn_BC
PIO(7)	47	SW_detector
PIO(8)	48	back
PIO(9)	50	CSB
PIO(10)	51	SDIN
PIO(11)	52	SCLK
AIO(0)	17	Battery Monitor
AIO(1)	18	PopNoise
AIO(2)	NI	GND
AIO(3)	19	MCLK

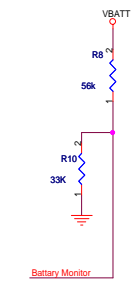
**PIN DEFINE**



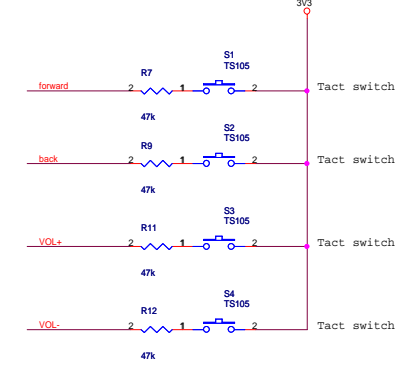
LED design High active



**LOW BATTERY DETECT**



**Function Bottom**

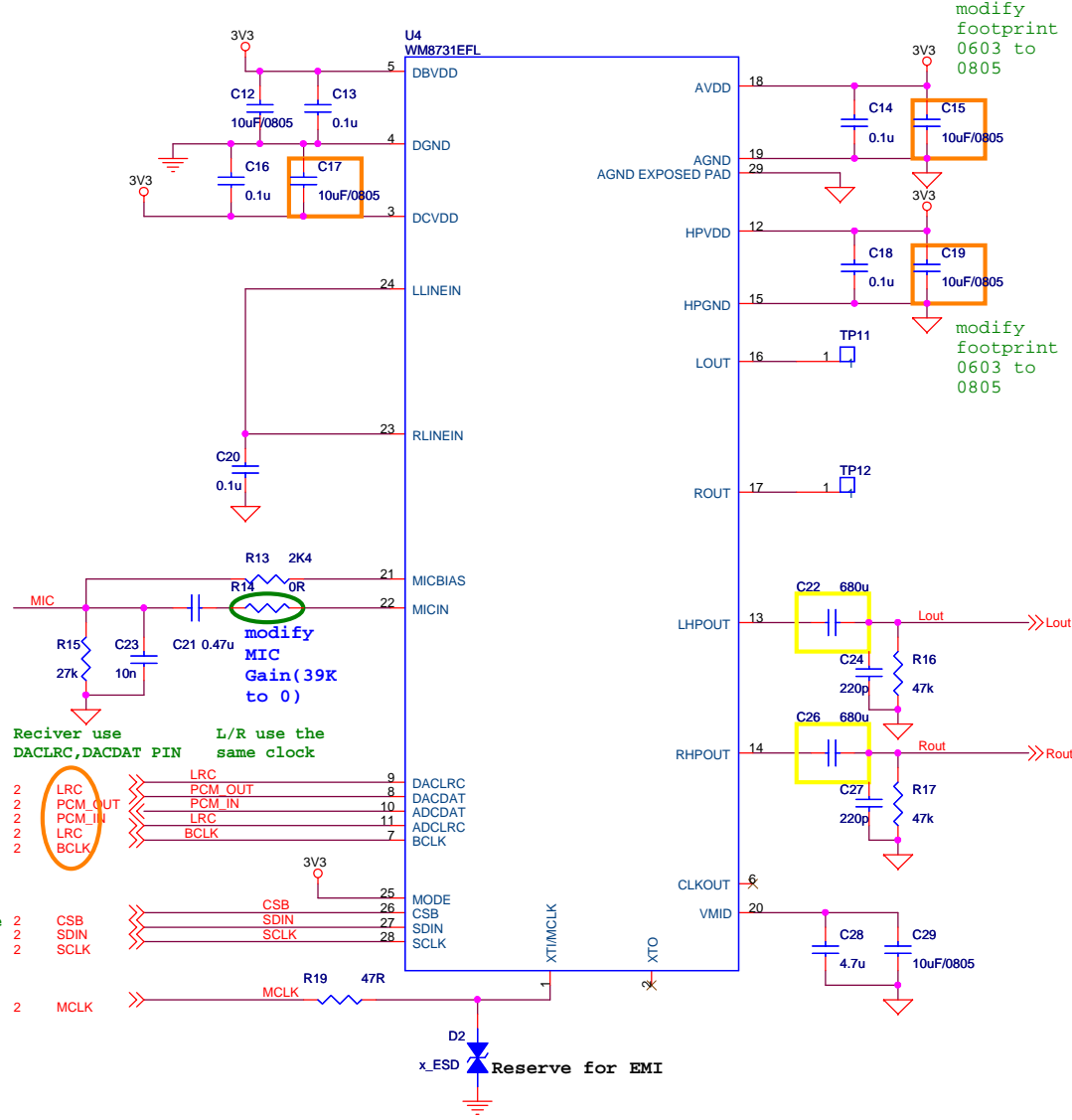


RF trace 14 mil  
USB trace 11 mil

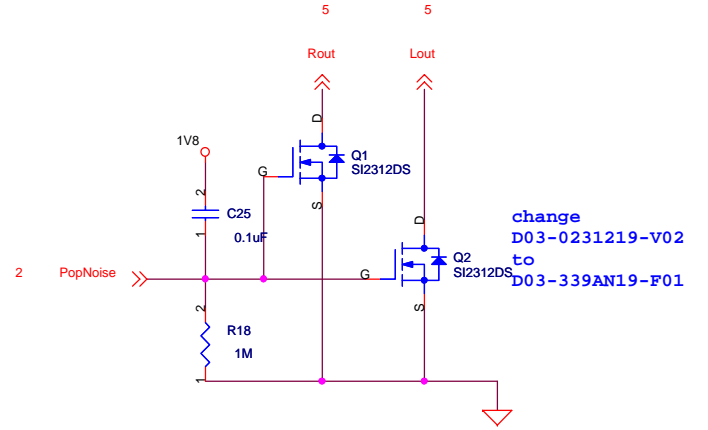
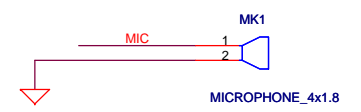


<b>Micro-Star International Co., LTD.</b>		
<b>Main Module BC3MMext</b>		
Size C	Document Number	Rev 0A
	<b>MS6868I-1.0</b>	
Date:	Wednesday, January 18, 2006	Sheet 2 of 6

**WOLF SON 8731L**



**MIC**



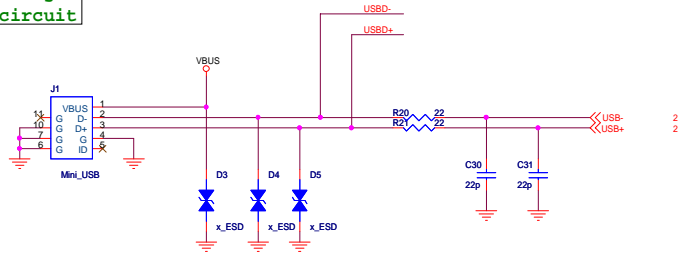
Digital Audio interface

Control interface

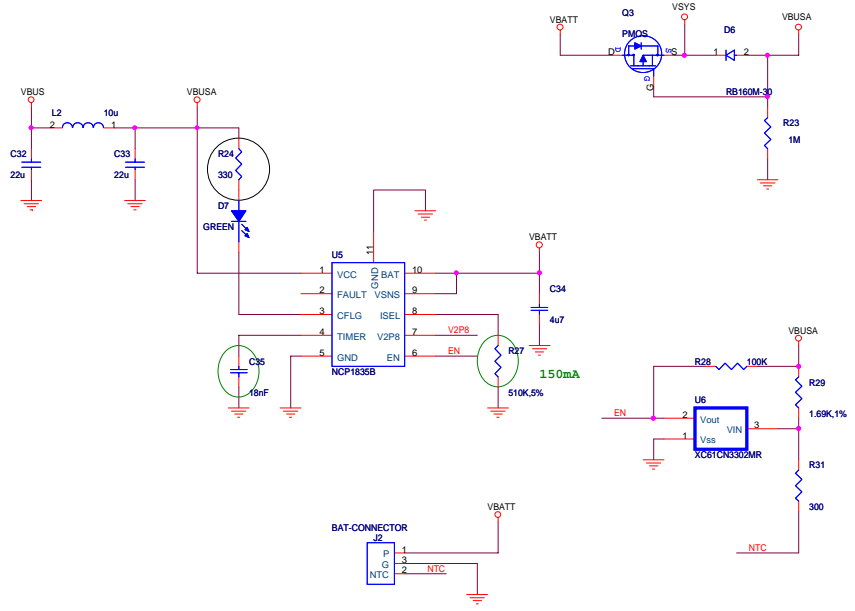
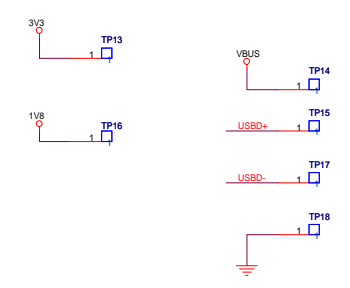


<b>Micro-Star International Co., LTD.</b>		
<b>Codec-WM8731EFL</b>		
Size B	Document Number	Rev 0A
	MS-6868I	
Date:	Wednesday, January 18, 2006	Sheet 3 of 6

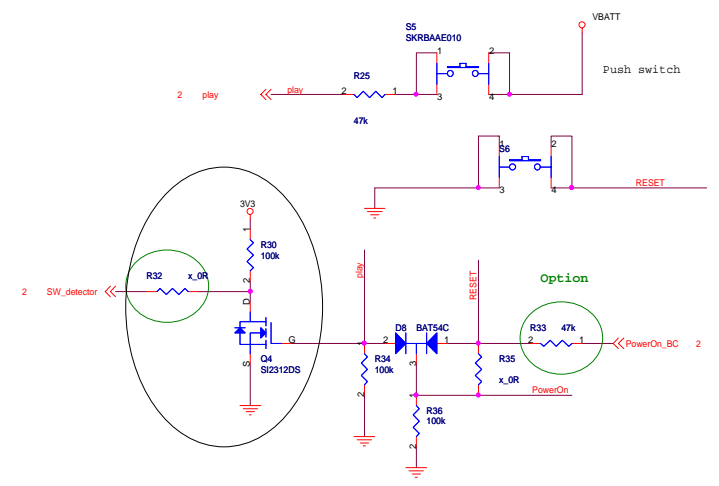
**Charge circuit**



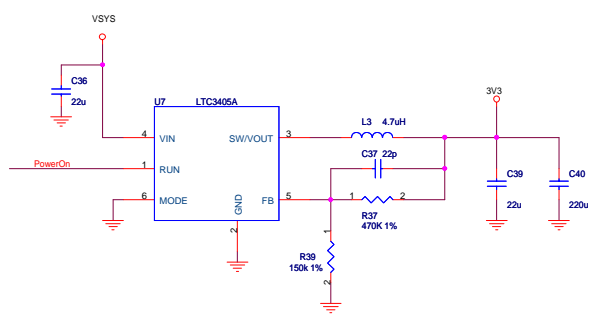
**Test Point**



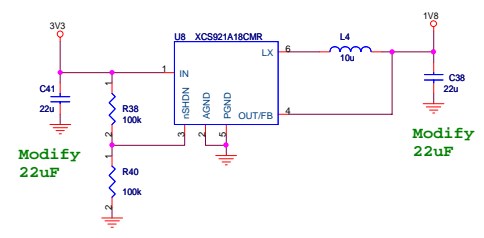
**Power On/Off**



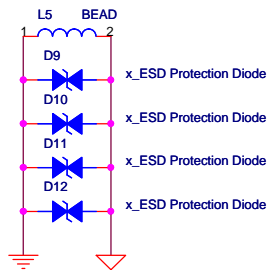
**3V3 converter**



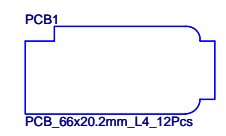
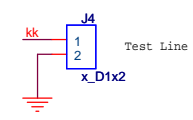
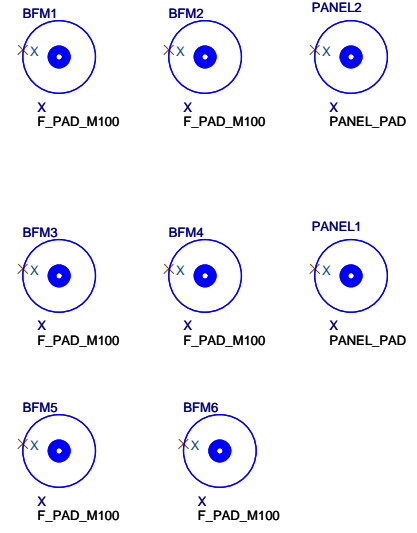
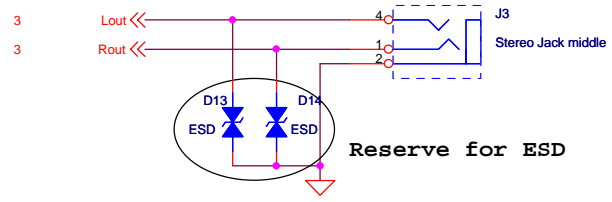
**1V8 converter**



# ESD



# Audio Jack



<b>Micro-Star International Co., LTD.</b>		
<b>Mechanic</b>		
Size B	Document Number	Rev 0A
	MS-6868I	
Date:	Wednesday, January 18, 2006	Sheet 5 of 6

MOEDL Version	History	DATE
MS6868I-0A	circuit first relrse	20050829



**Micro-Star International Co., LTD.**

**Version History**

Size B	Document Number MS-6868I	Rev 0A
Date: Wednesday, January 18, 2006 Sheet 6 of 6		