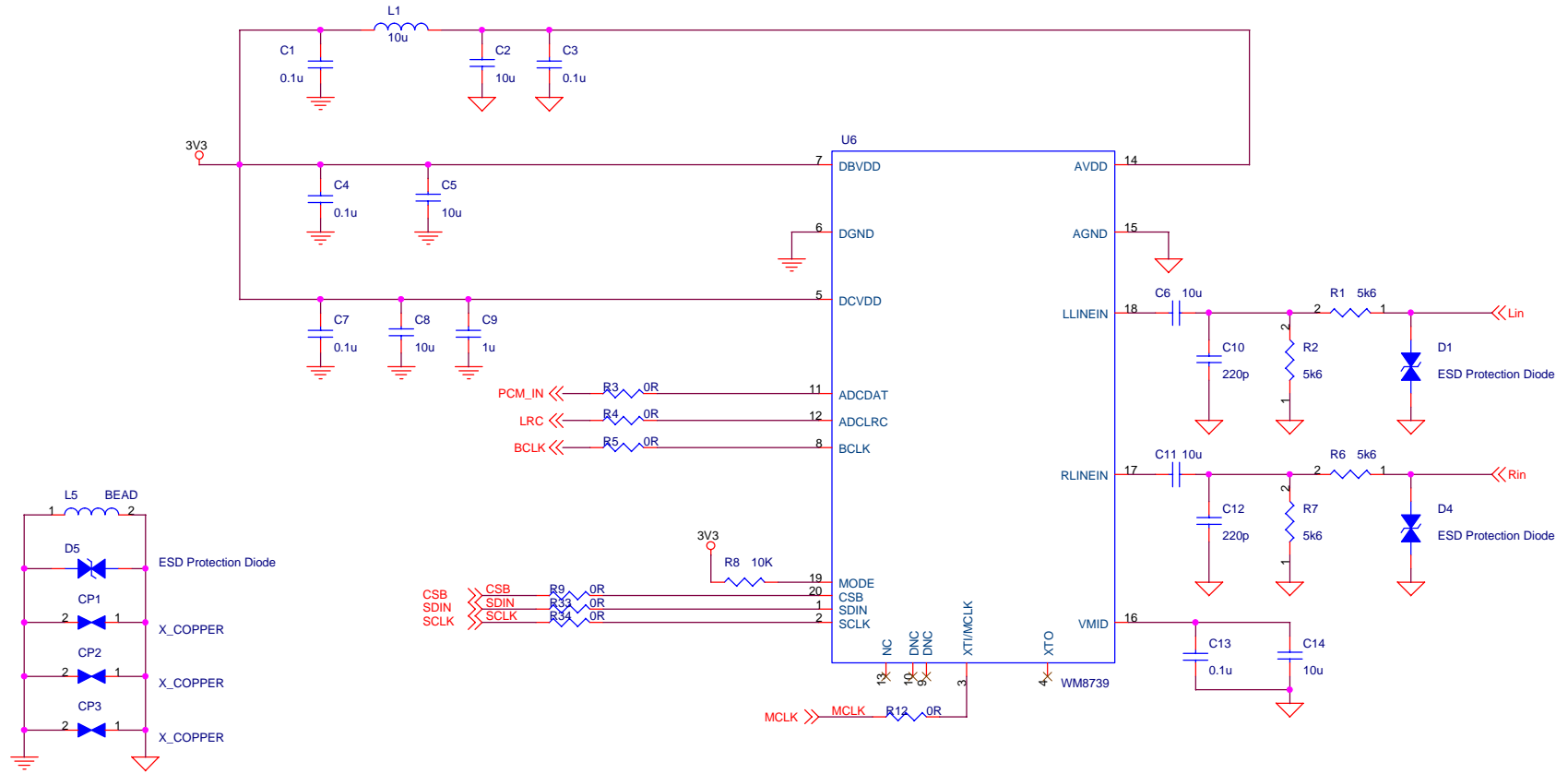

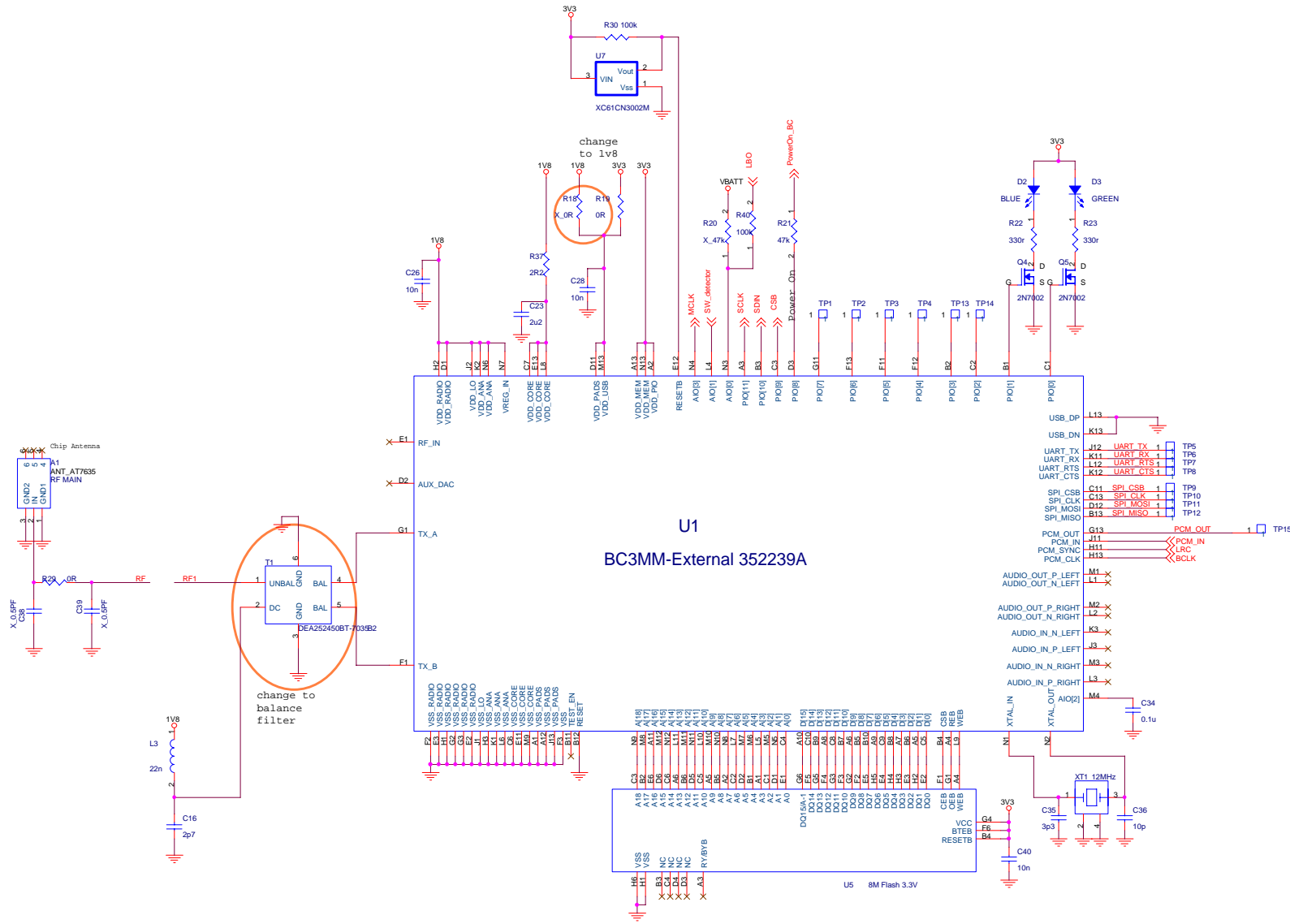


Serial control mode select :

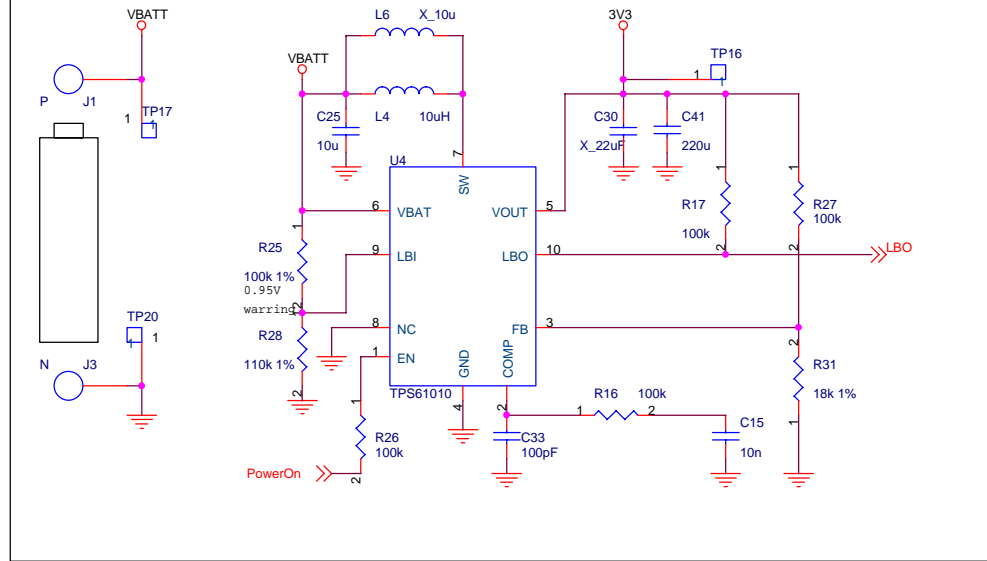
3 Wire interface format



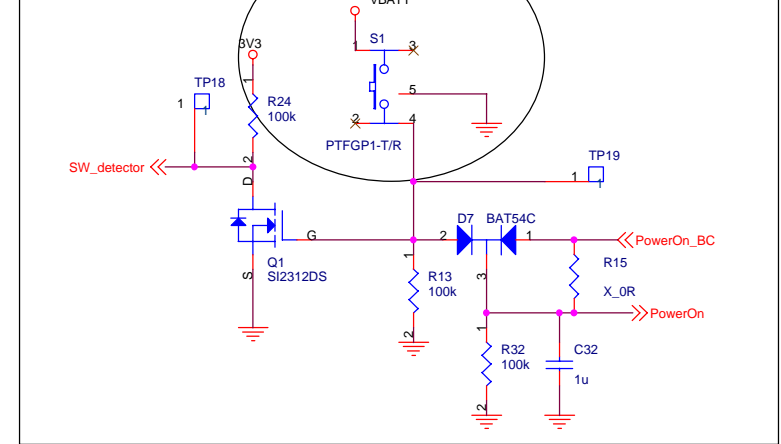
	Micro-Star International Co., LTD.	
	BT+MP3_CODEC	
	Size B	Document Number
	MS-6868F	
Date:	Thursday, August 04, 2005	Rev 1.0
Sheet 2 of 6		



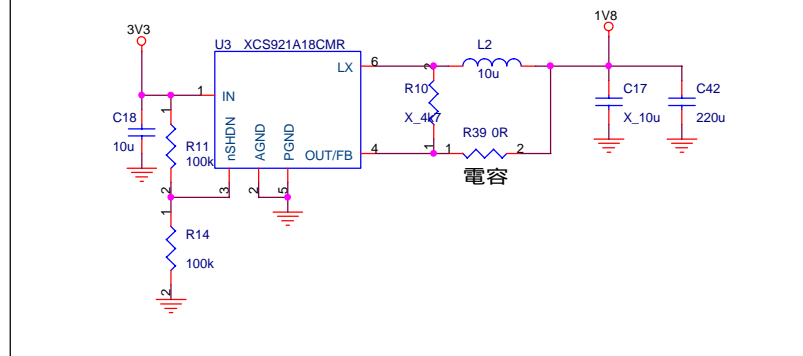
3V3 converter



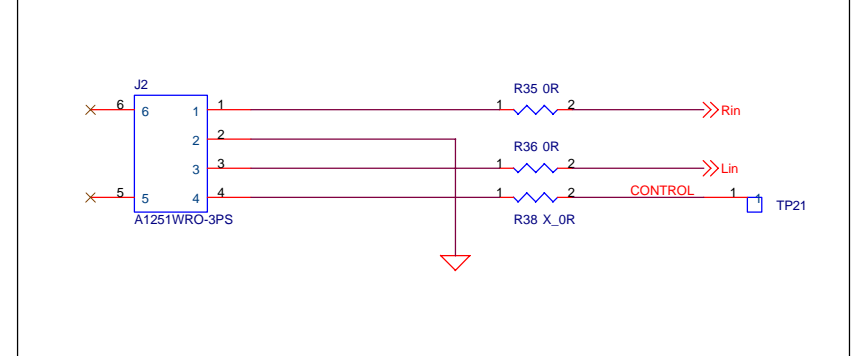
Power On/Off



1V8 converter



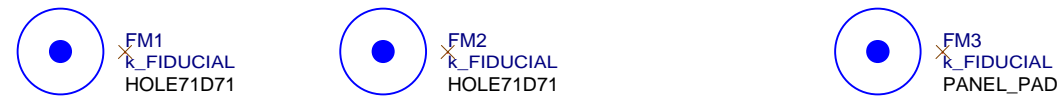
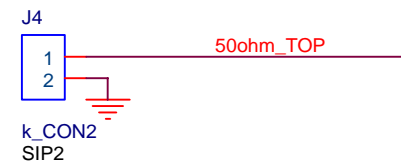
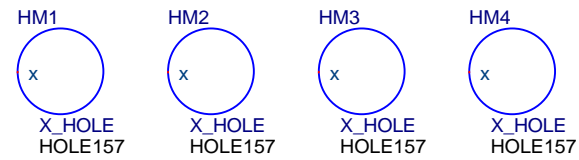
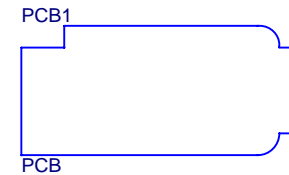
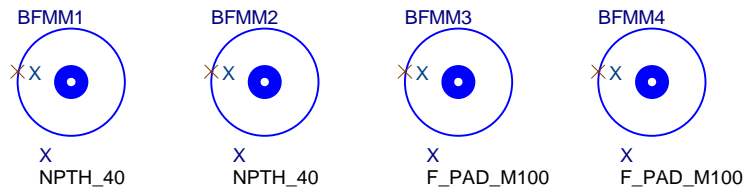
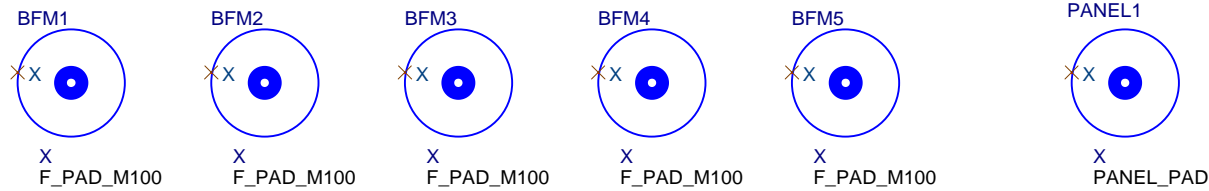
Audio Connector




Micro-Star International Co., LTD.

Power

Size B	Document Number	Rev 1.0
	MS-6868F	
Date:	Thursday, August 04, 2005	Sheet 4 of 6



Solder mask

			Micro-Star International Co., LTD.		
			Other		
Size A	Document Number MS-6868F		Rev 1.0		
Date:	Thursday, August 04, 2005	Sheet	5	of	6

MS6868B-00A	First version	20040623
MS6868B-00B3	1. C11,C12,C13,C14 change to 1uF 2. C30 capacitor of Xtal has to be around ground	200409
MS6868B-00C1	change to BC3MM-Ext with 8731 Codec	20041014
MS6868B-00C2	1. Audio L and R channel changed 2. Antenna path is cut for test point 3. BOM and footprint changed	20041022
MS6868B-00C3	1. Add PANEL2 2. TP2 footprint TP40D10 change to testpin50 3. BFMM3,4 footprint F_PAD_M60 change to F_PAD_M100 4. FM3,4 deleted 5. Add SIP2 2pins 6. VDD_core connect to 1.8V and add 10n and 2.2uF 7. Swap value of C35 and C36 8. VREG_IN connect to 1.8V 9. C26 change to 10nF 10. PCM interface modified 11. C15,C17,C18,C25,C41 change to MLCC 0805	
MS6868B-00C3 Debug	Modify Reset/ResetB; C35=3.3p-->12p XT1=16M-->12M;Change Q3 and Q2	20041014
MS6868B-00D1	1. 8731 Codec change to 8739 Codec 2. HHM-1517 and MDR746F change to DBF71B101 3. LTC3401 change to TPS61010	20050329
MS6868B-01S	To add C41、C42 220u	20050726



Micro-Star International Co., LTD.

Version

Size B	Document Number MS-6868F	Rev 1.0
Date:	Thursday, August 04, 2005	Sheet 6 of 6