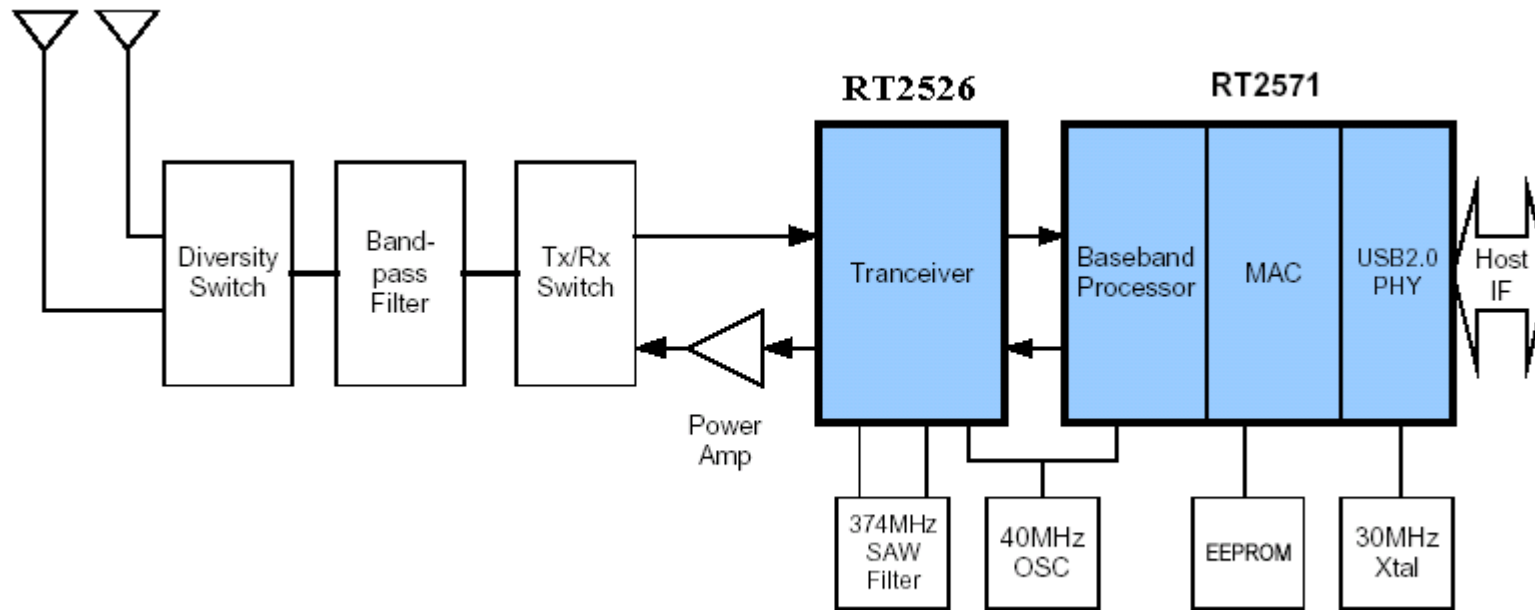


Operation description



U31 MAC controller and baseband processor (RT2571) → Determine the modulation type (DBPSK、DQPSK、CCK、OFDM) → send out Tx I & Tx Q signal → U9 Radio IC (RT2526) → Mixed Tx I & Tx Q signal with RF local signal (2412~2484MHz) → Sent out transmission signal → U5 Power Amplifier (BAP2101) to amplify the signal → BPF → U6 Tx/Rx switch → U46 antenna select switch → Dipole Antenna transmission signal is sent out from single antenna.