

# MS-6823A Cover Page

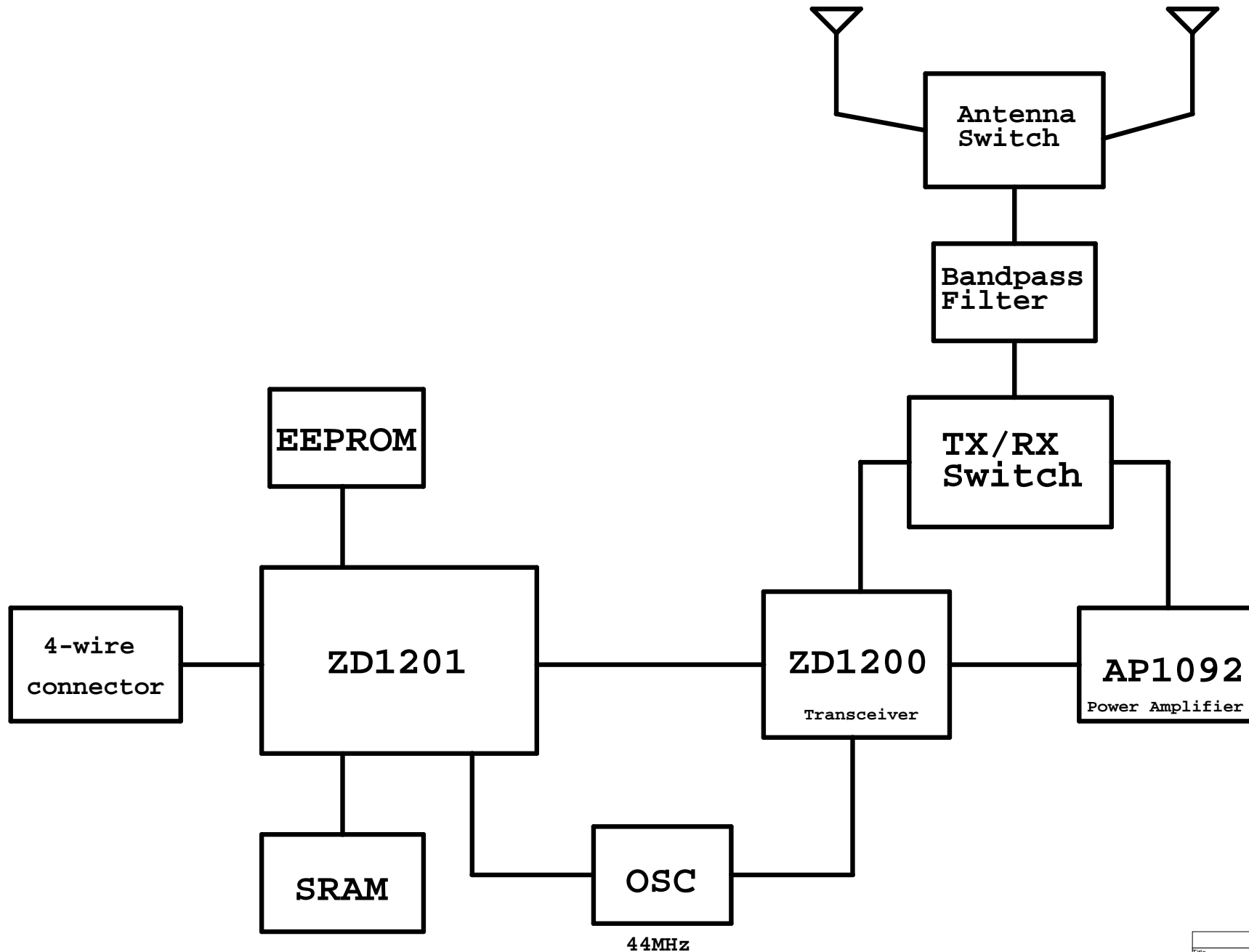
R0A: First Release

R01:

1. Change J1 footprint from SIP5\_50MIL to sip4\_2mm
2. Add J2 for option
3. Add 4 soldering pads for shielding case
4. Delete R51



Title		
<b>Cover Page</b>		
Size	Document Number	Rev
	<b>MS-6823A</b>	01
Date:	Monday, December 08, 2003	Sheet 1 of 4



Title			<b>Block Diagram</b>		
Size	Document Number		Rev		
	<b>MS-6823A</b>		<b>01</b>		
Date:	Monday, December 08, 2003	Sheet	2	of	4