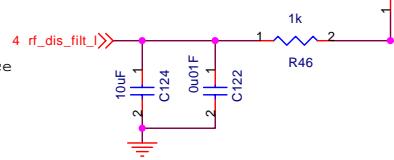
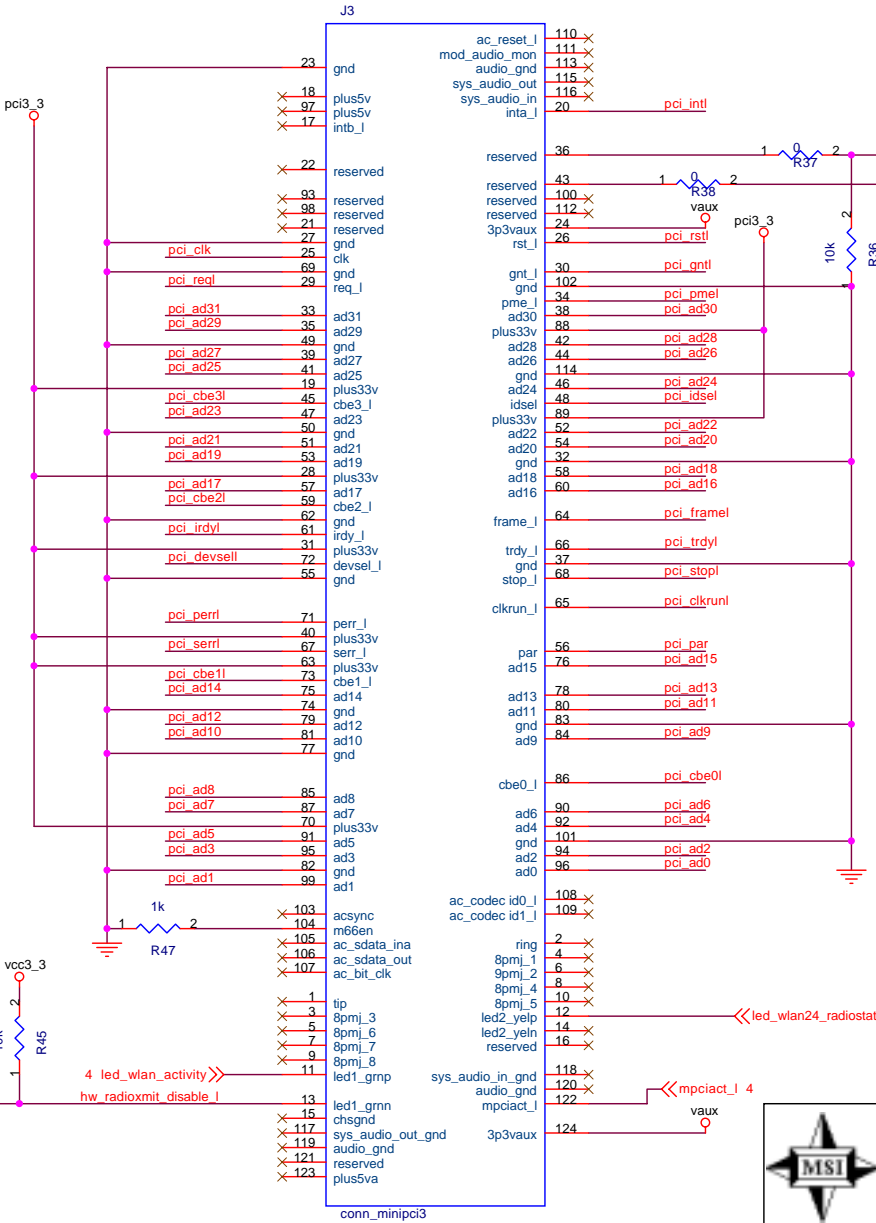


U11A		PCI INTERFACE	
pci_ad31	J2	CB_AD_31	
pci_ad30	J4	CB_AD_30	
pci_ad29	K1	CB_AD_29	
pci_ad28	J3	CB_AD_28	
pci_ad27	L1	CB_AD_27	
pci_ad26	K2	CB_AD_26	
pci_ad25	K4	CB_AD_25	
pci_ad24	K3	CB_AD_24	
pci_ad23	N1	CB_CBE_3_L	L2 pci_cbe3l
pci_ad22	L3	CB_CBE_2_L	R1 pci_cbe2l
pci_ad21	M2	CB_CBE_1_L	R4 pci_cbe1l
pci_ad20	L4	CB_CBE_0_L	T6 pci_cbe0l
pci_ad19	P1	CB_FRAME_L	T1 pci_framel
pci_ad18	M4	CB_IRDY_L	P2 pci_irdyl
pci_ad17	M3	CB_TRDY_L	R2 pci_trdyl
pci_ad16	N2	CB_DEVSEL_L	P3 pci_devsell
pci_ad15	N5	CB_STOP_L	P4 pci_stopl
pci_ad14	P5	CB_PERR_L	R3 pci_perrl
pci_ad13	T4	CB_SERR_L	T2 pci_serrl
pci_ad12	R5	CB_PAR	T3 pci_par
pci_ad11	T5	CB_INT_L	H2 pci_intl
pci_ad10	N6	CB_RST_L	G4 pci_rstl
pci_ad9	P6	CB_CLK	N3 pci_clk
pci_ad8	R6	CB_PME_L	G2 pci_pmel
pci_ad7	P7	CB_IDSEL	M1 pci_idsel
pci_ad6	R7	CB_REQ_L	H3 pci_reql
pci_ad5	N7	CB_GNT_L	J1 pci_gntl
pci_ad4	T7	CB_AD_4	G3
pci_ad3	P8	CB_AD_3	
pci_ad2	T8	CB_AD_2	
pci_ad1	N8	CB_AD_1	
pci_ad0	N9	CB_AD_0	
		CSTSCHG	
		CB_CLKRUN_L	P9 pci_clkrunl

BCM4306



Page 1: MiniPCI Interface
 Page 2: 802.11b/g Radio Interface
 Page 3: 802.11b/g RF Front End
 Page 4: Power / Clocks / Misc

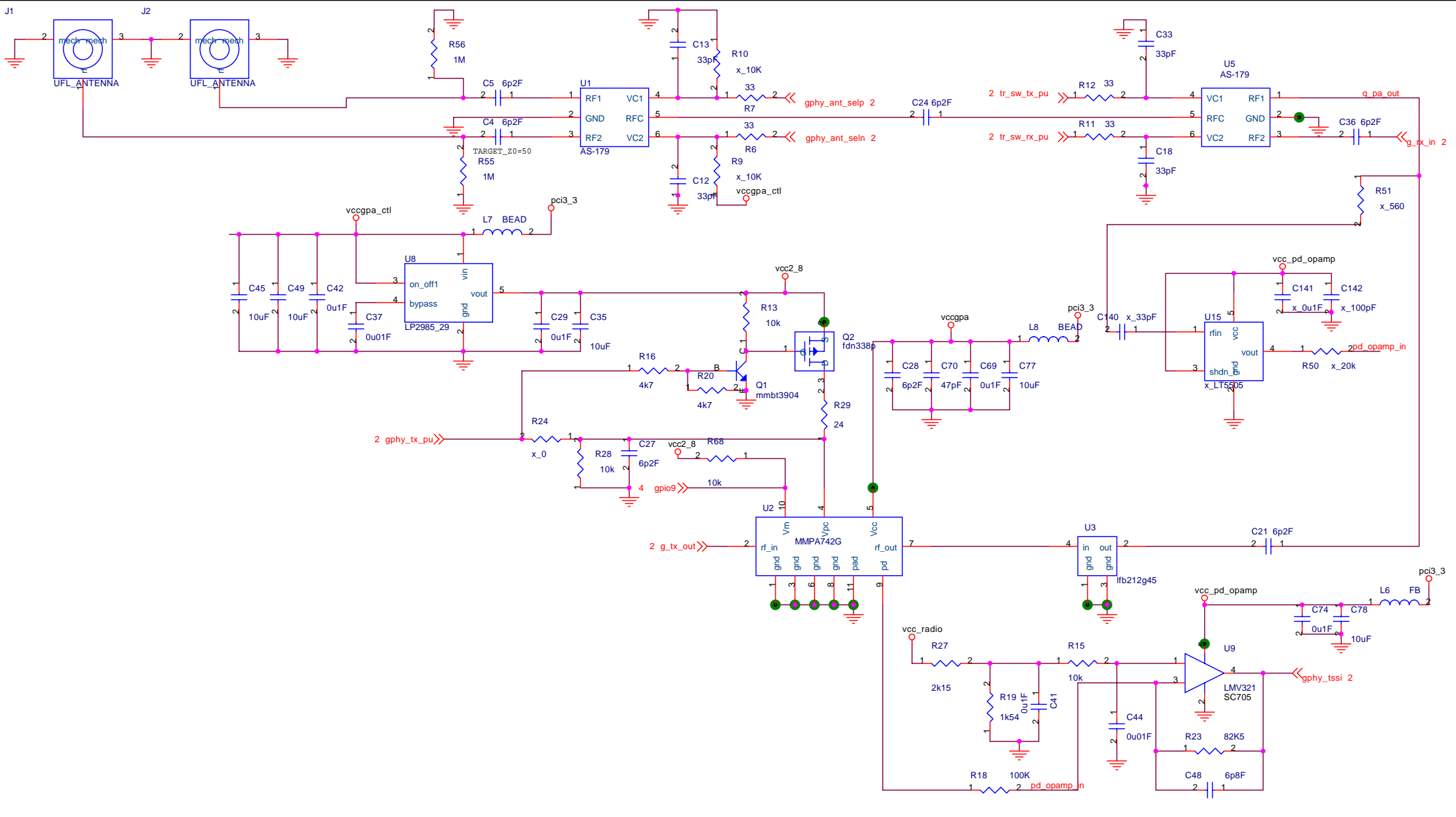


minipci interface

Micro-Star International Co., LTD.

minipci interface

Size B	Document Number	Rev 0A
	MS6820	
Date:	Thursday, February 13, 2003	Sheet 1 of 5



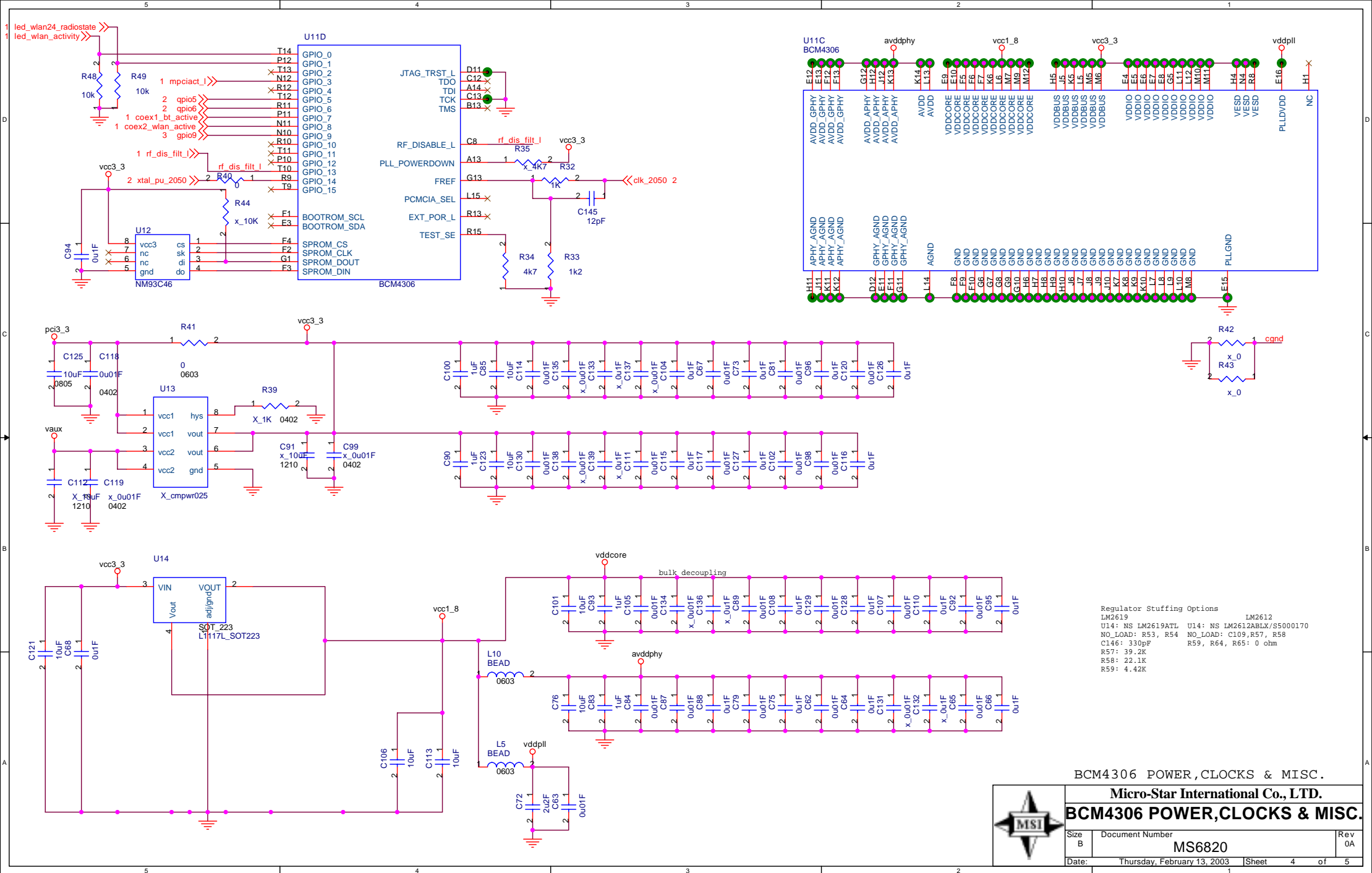
802.11G RF Front End

Micro-Star International Co., LTD.



802.11G RF Front End

Size B	Document Number	Rev 0A
	MS6820	
Date:	Thursday, February 13, 2003	Sheet 3 of 5

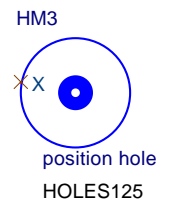
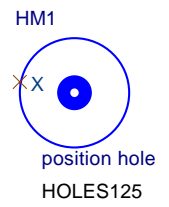
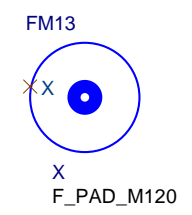
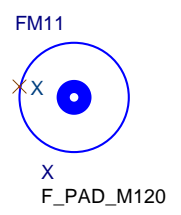
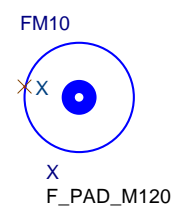
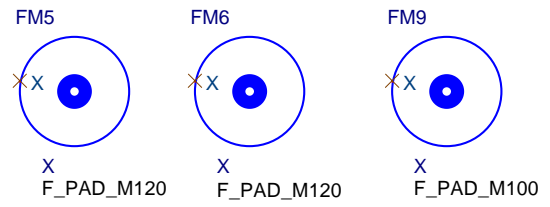
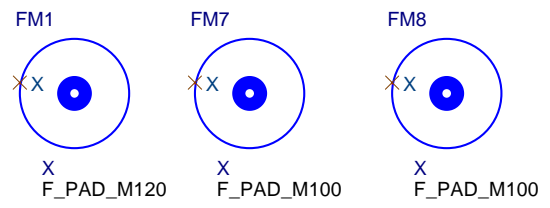
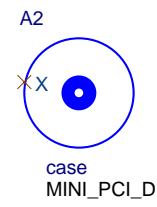
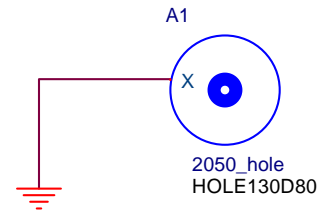
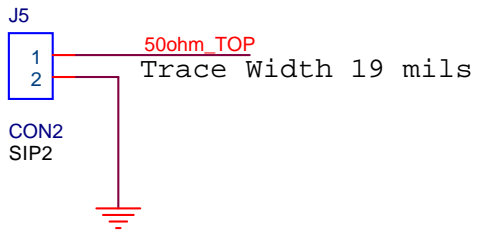


BCM4306 POWER, CLOCKS & MISC.



Micro-Star International Co., LTD.
BCM4306 POWER, CLOCKS & MISC.

Size B	Document Number	Rev 0A
	MS6820	
Date:	Thursday, February 13, 2003	Sheet 4 of 5



Title <Title>		
Size A	Document Number <Doc>	Rev <RevCode>
Date:	Thursday, February 13, 2003	Sheet 5 of 5