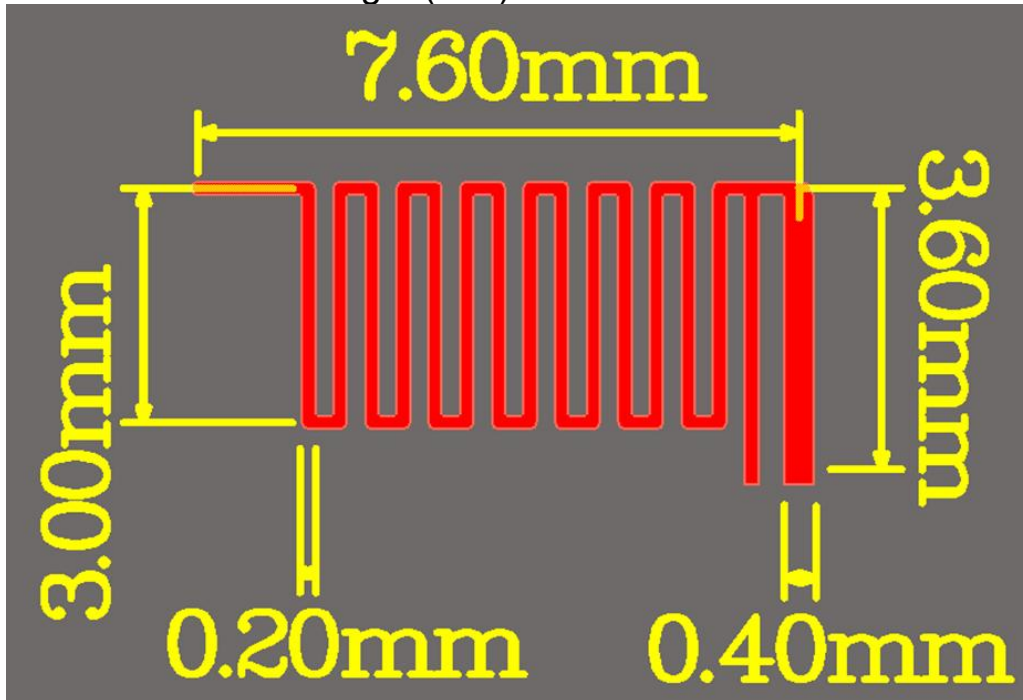


ANTENNA SPECIFICATION

Summary

| Item | Describe |
|--------------|--------------|
| Product Name | Mouse |
| Gain | 1.43dBi(Max) |
| Antenna Type | PCB Antenna |

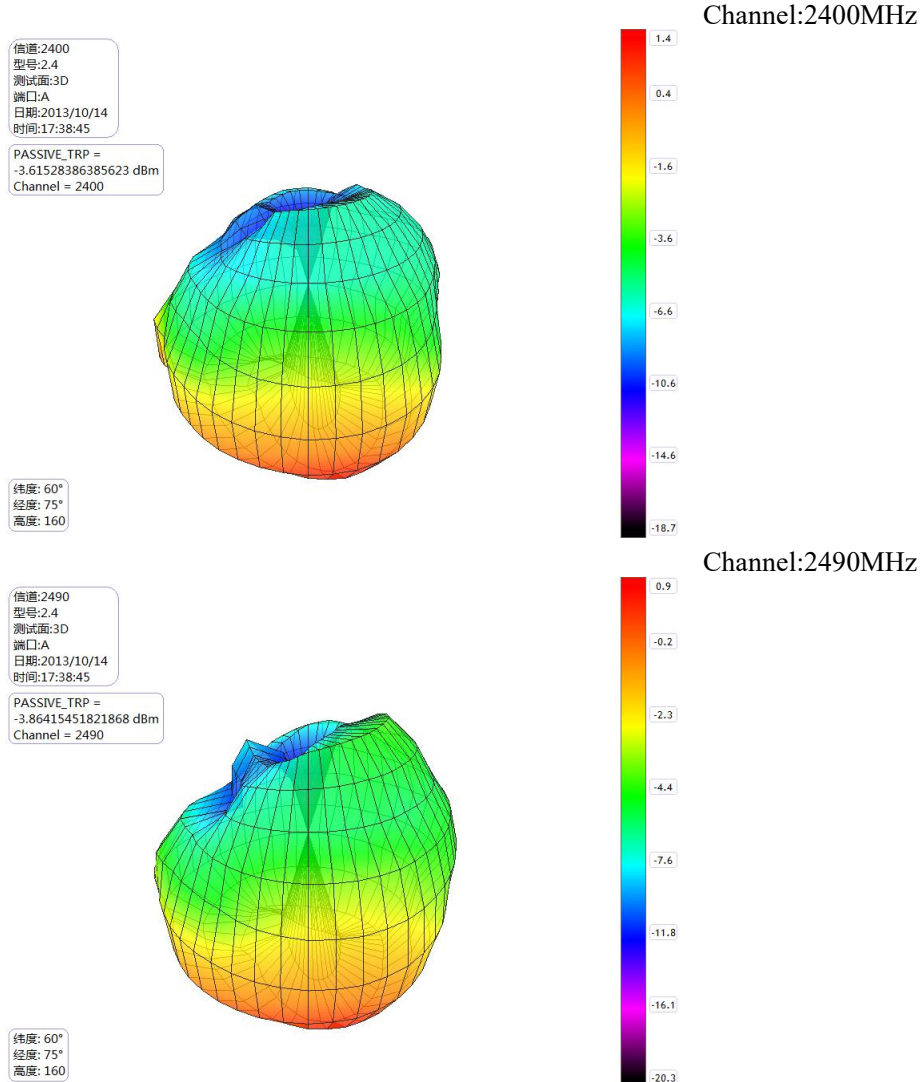
Antenna Photo & Length (mm)



Antenna Test Data

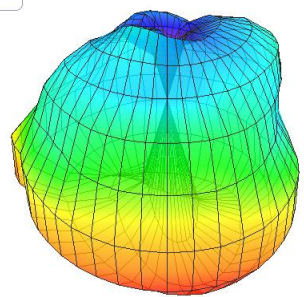
| Parameter/Channel | 2402 | 2442 | 2480 |
|---------------------|-----------|-----------|-----------|
| Peak EIRP(dBm) | 1.014732 | 1.43213 | 0.9019967 |
| Directivity | 4.974645 | 5.047414 | 4.766151 |
| Gain(dBi) | 1.014732 | 1.43213 | 0.9019967 |
| Efficiency(dB) | -3.959913 | -3.615284 | -3.864154 |
| Efficiency(%) | 40.17989 | 43.49823 | 41.07566 |
| NHPRP $\pi/4$ (dBm) | -5.842994 | -5.444505 | -5.678529 |
| NHPRP $\pi/6$ (dBm) | -7.438725 | -6.950566 | -7.145275 |

3D antenna pattern



信道:2390
 型号:Z.4
 测试面:3D
 端口:A
 日期:2013/10/14
 时间:17:38:45

PASSIVE_TRP =
 -3.95991257004804 dBm
 Channel = 2390



纬度: 60°
 经度: 75°
 高度: 160



Antenna pattern

