

MD560(B) Rev.4A3

Dual Mode Modem & Bluetooth Combo

CSR BC04-ROM

Motorola SI3054/SI3018 Modem Chip

MDC1.0 Form Factor

P/N:59-6152-4A3

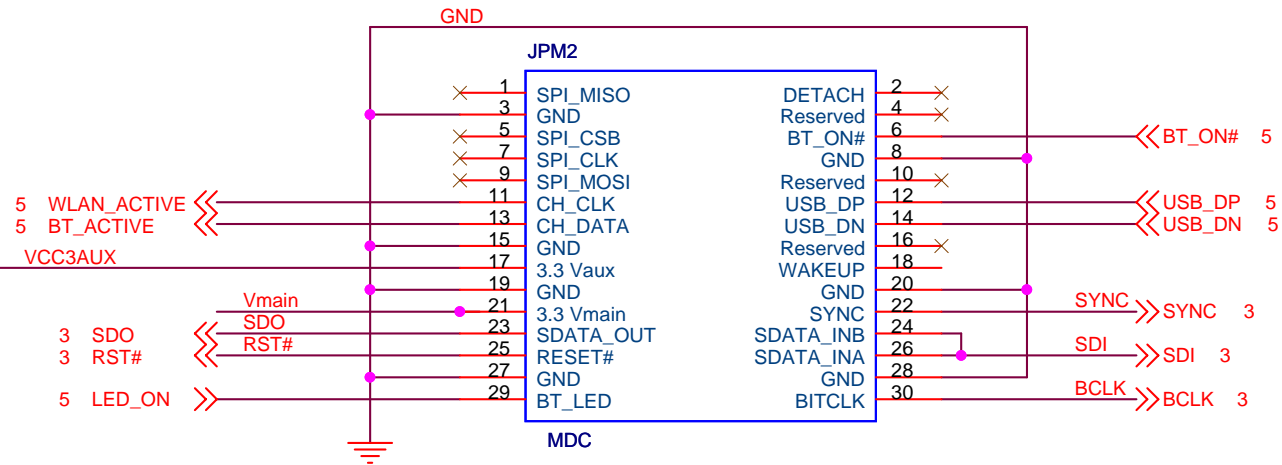
Component Suffix Table

_A	CASE A
_B	CASE B
_C	CASE C
_D	CASE D
_K	0402
_E	0603
_F	0805
_G	1206
_H	1210
_I	1812
_J	2010
_NI	DO NOT INSTALL

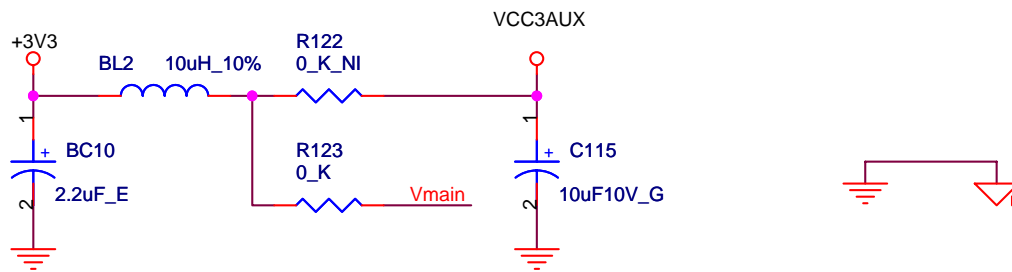
QCOM Electronics, Inc.

Title		Cover	
Size	Document Number	Rev	
B	MD560(B)	4A3	
Date:	Monday, August 07, 2006	Sheet	1 of 6

VCC3AUX

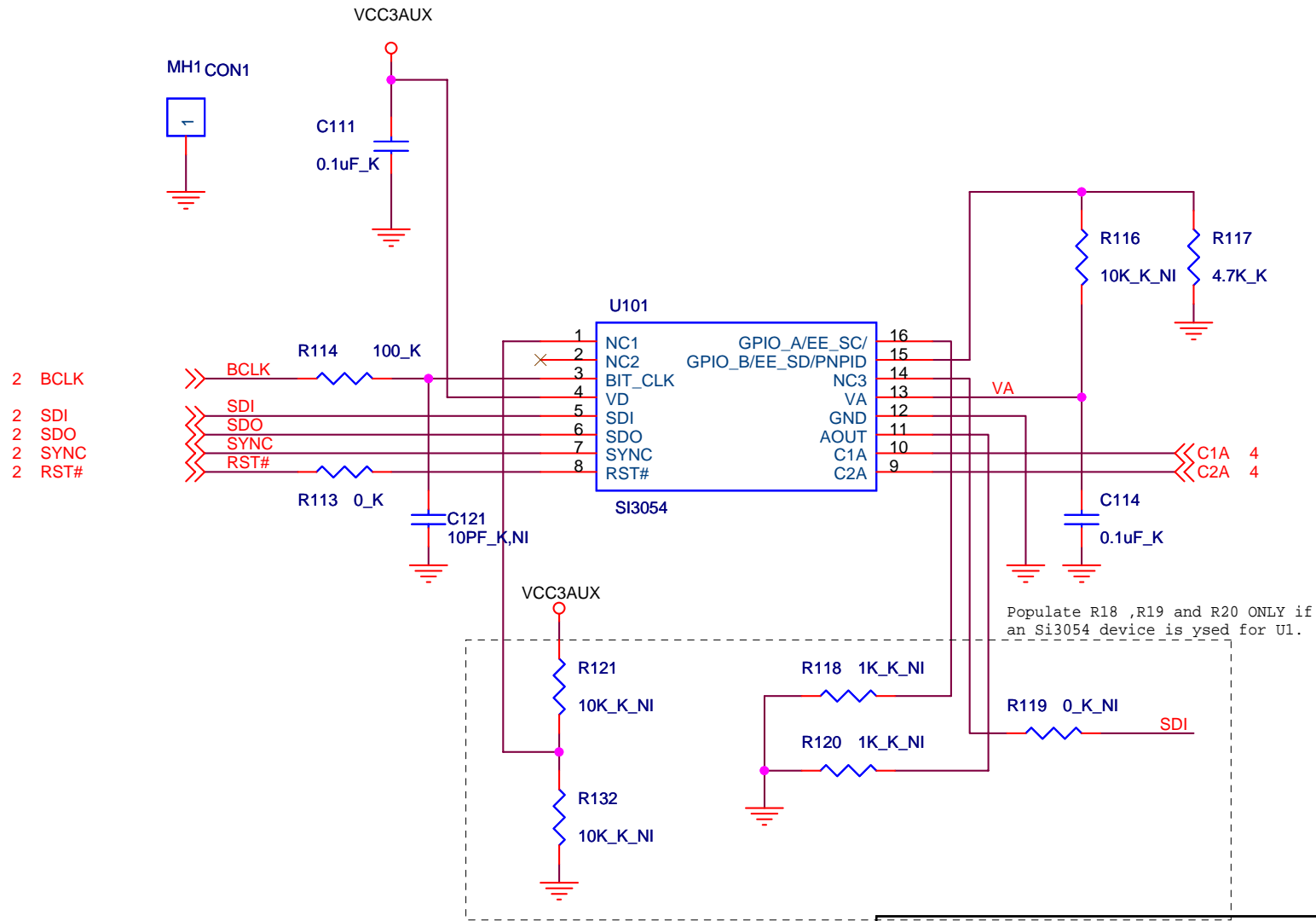


Pin11 is CH_CLK and WLAN_ACTIVE option.
 Pin13 is CH_DATA and BT_ACTIVE option.

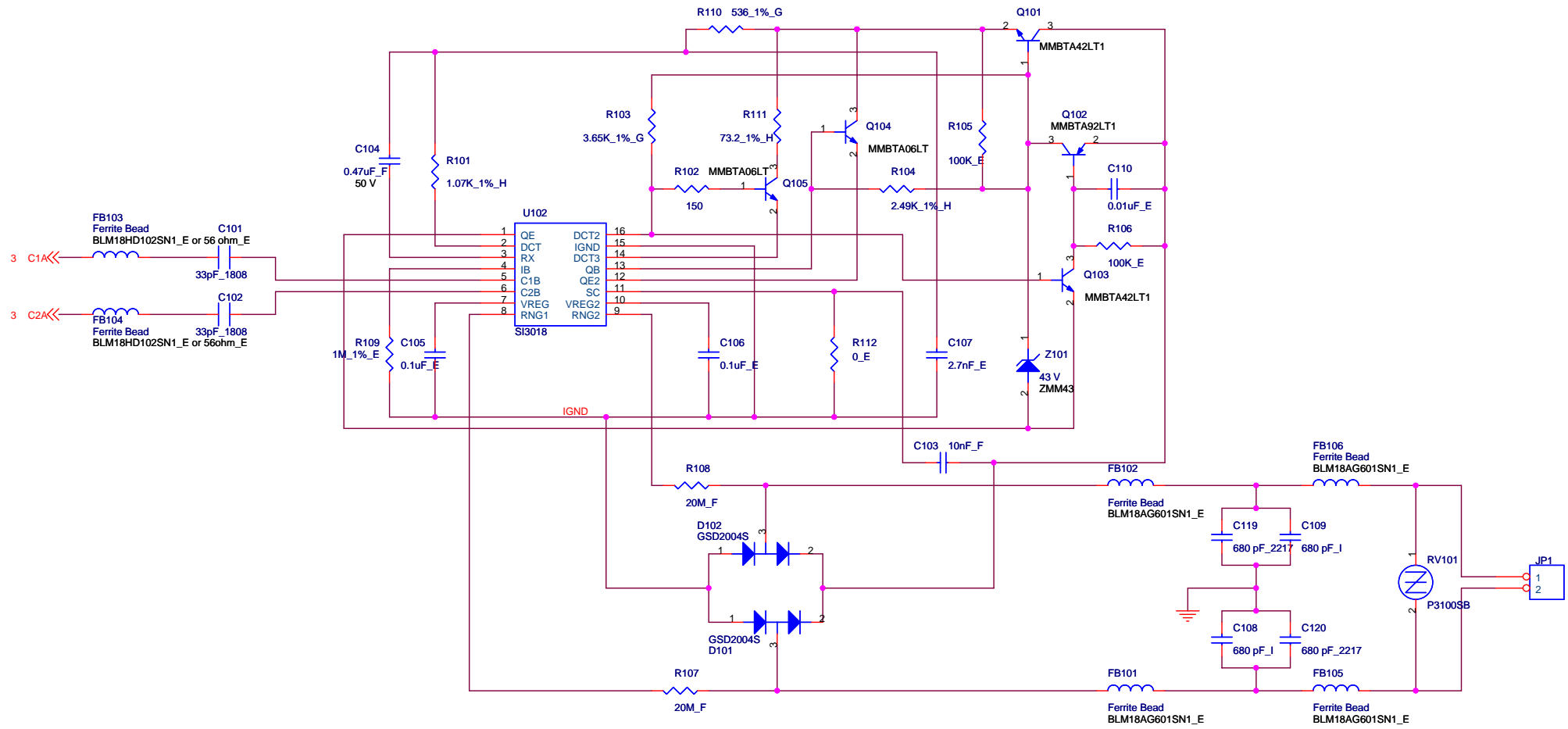


QCOM Electronics, Inc.

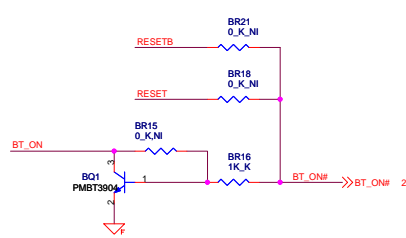
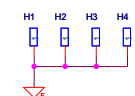
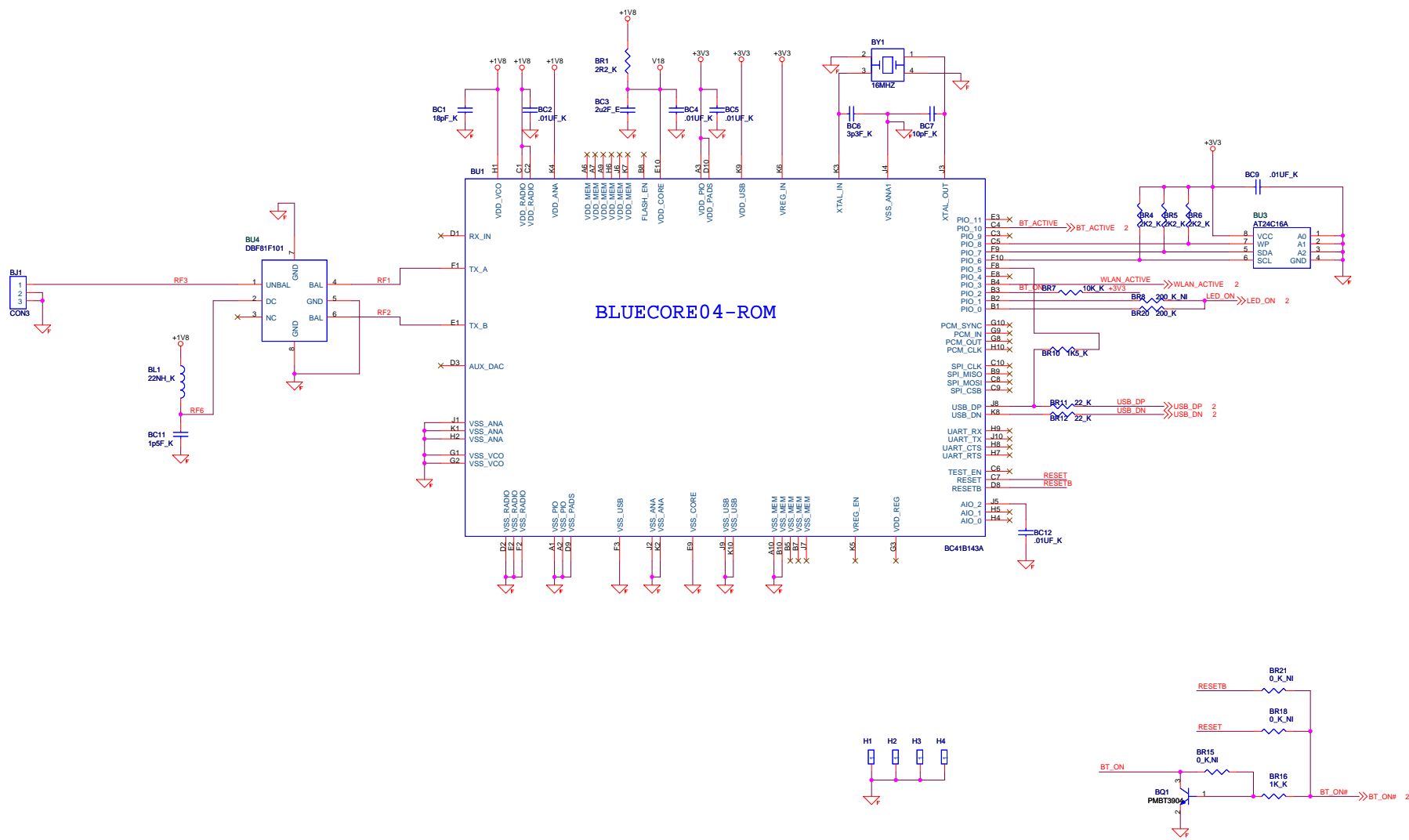
Title		
MDC I/F		
Size	Document Number	Rev
A	MD560(B)	4A3
Date:	Monday, August 07, 2006	Sheet 2 of 6



QCOM Electronics, Inc.		
Title Modem Host Side		
Size A	Document Number MD560(B)	Rev 4A3
Date: Monday, August 07, 2006	Sheet 3	of 6



QCOM Electronics, Inc.		
Title		Line Side DAA
Size B	Document Number	Rev 4A3
	MD560(B)	
Date:	Monday, August 07, 2006	Sheet 4 of 6



Revision History

Rev.3A

- 1.Change Bluetooth to BC-03 ROM.

Rev.4A

- 1.Add C121 reserved for MODEM BCLK.
- 2.Change BT EEPROM VCC to +3V3.
- 3.Del RF test point.
- 4.Del BR13 and BR14 reserved parts.
- 5.Modify BU4 footprint.(Layout change)

Rev.4A1

1. Modify BGA PAD and VIA.
2. Modify BU4 PAD Size.

Rev.4A2

1. Modify BU1 to BC04-ROM.
2. Change net "WLAN_ACTIVE" to BU1.B4(PIO3).

Rev.4A3

1. Add Bluetooth mode (PIO_0).
2. Add Bluetooth "reset" and "resetb" function option.
3. Add Bluetooth power BL2.

QCOM Electronics, Inc.

Title		Rev. History	
Size	Document Number	Rev	
B	MD560(B)	4A3	
Date:	Monday, August 07, 2006	Sheet	6 of 6