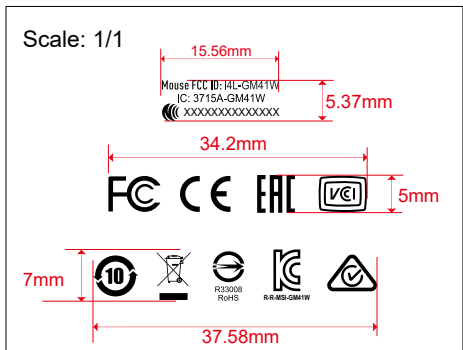
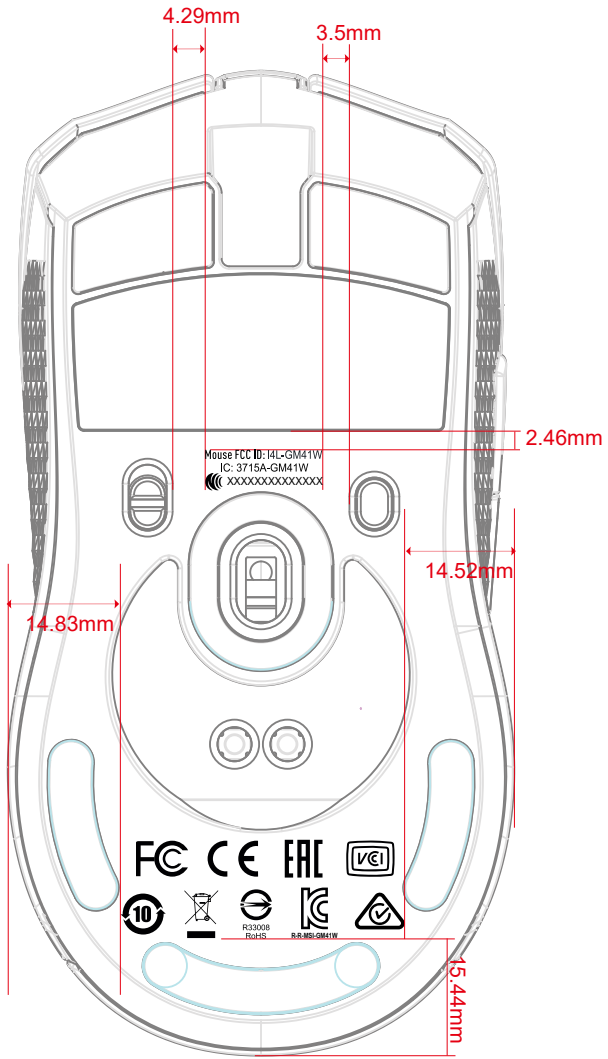


REV	DATE	REV DIMENSION	DESIGN	APPROVE
1.0				



LASER AREA
Scale: 1/1

- NOTES:**
1. Process: LASER ITCH
 2. Tolerance: +/-0.5MM
 3. This product/component must comply with Chicony specification "ISO361".

Marks	Description
1	FAI Dimension measurement
2 (#)	IQC Dimension measurement
3 (*)	CTF Dimension measurement
4 (x)	CPK Dimension measurement

CPK must be greater than 1.3

Drawing name : 20200060L_CHARGER_BOTTOM_CASE / Model name : GM51_CHARGER_BOTTOM_CASE

Chicony Electronics Co., Ltd.			RANGE	TOLERANCE	MODEL NO.:
APPROVED	CHECKED	DESIGNED	70 ABOVE	±0.2 mm	MGU2020 (GM41W)
Pitt Vincent	Perry T.S. Nash	Wei	30-70	±0.15 mm	PART NAME: Mouse Bottom Case Printing
Dec-18-20	Dec-18-20	Dec-18-20	10-30	±0.10 mm	
			3-10	±0.07 mm	
SIZE:A4	SCALE: 1:1	UNIT:MM	DRAWING NO.:	20200390L	REV B

A B C D E

1

2

3

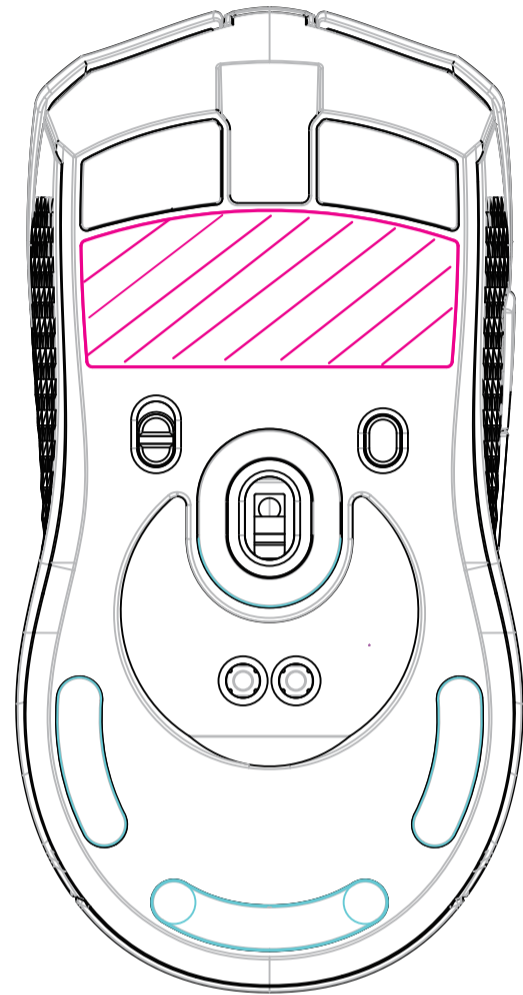
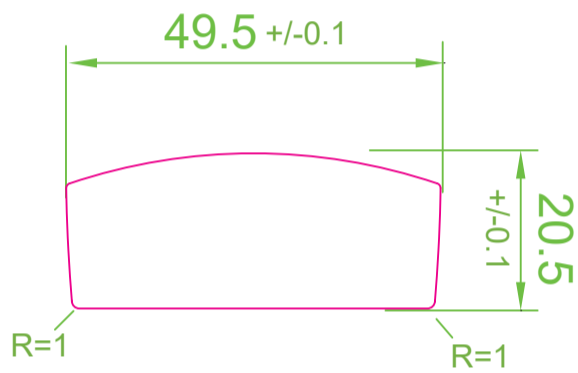
4

5

6

7

Label position:



NOTES:

1. MATERIAL: t= 0.1mm synthetic label + strong glue
(UL/CSA APPROVED)

需覆啞膜型號 = 25#OPP可打印霧膜PPATM(T)(30)(N) ,
若遇原材短缺可改其他進口可打印霧膜, 但加上打印碳帶需過耐磨測試

2. BACKGROUND COLOR: BLACK

3. TEXT & SYMBOLS COLOR: WHITE

4. FINISHED: ADHESIVE + MATTE PP

5. THIS PRODUCT/COMPONENT MUST COMPLY WITH
CHICONY SPECIFICATION "ISO 361".

MGR2020			253-02020L-E01			MSI		
MODEL NO.			PART NO.			REMARK		
CHICONY ELECTRONICS CO.,LTD			MAT.: NOTES			MODEL NO.: MGR2020 (GM41W)		
APPROVED	CHECKED	DESIGNED	SPEC: NOTES					
Pitt Vincent	T.S. Perry Nash	Wei	FINISH: NOTES			NAME: SPEC. ID LABEL		
			TOL:	Q'TY	SIZE: A4			
12/23, '20	12/23, '20	12/23, '20	SCALE: 1:1	UNIT: MM		DWG NO.: 20200430L		REV: E

A B C D E